

Customer Information Sheet

DRAWING No.: S409-XX / S410-XX

SHEET 3 OF 4

IF IN DOUBT - ASK

©

NOT TO SCALE

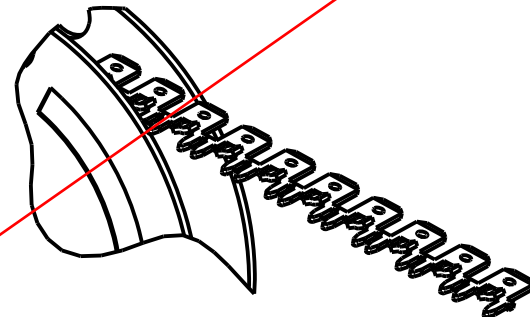
THIRD ANGLE PROJECTION

ALL DIMENSIONS IN mm

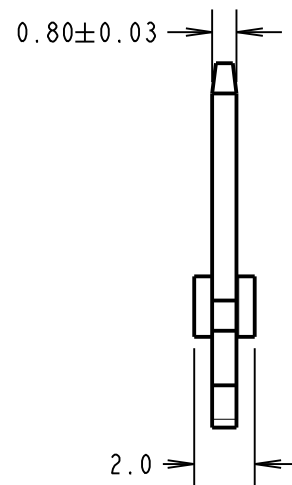
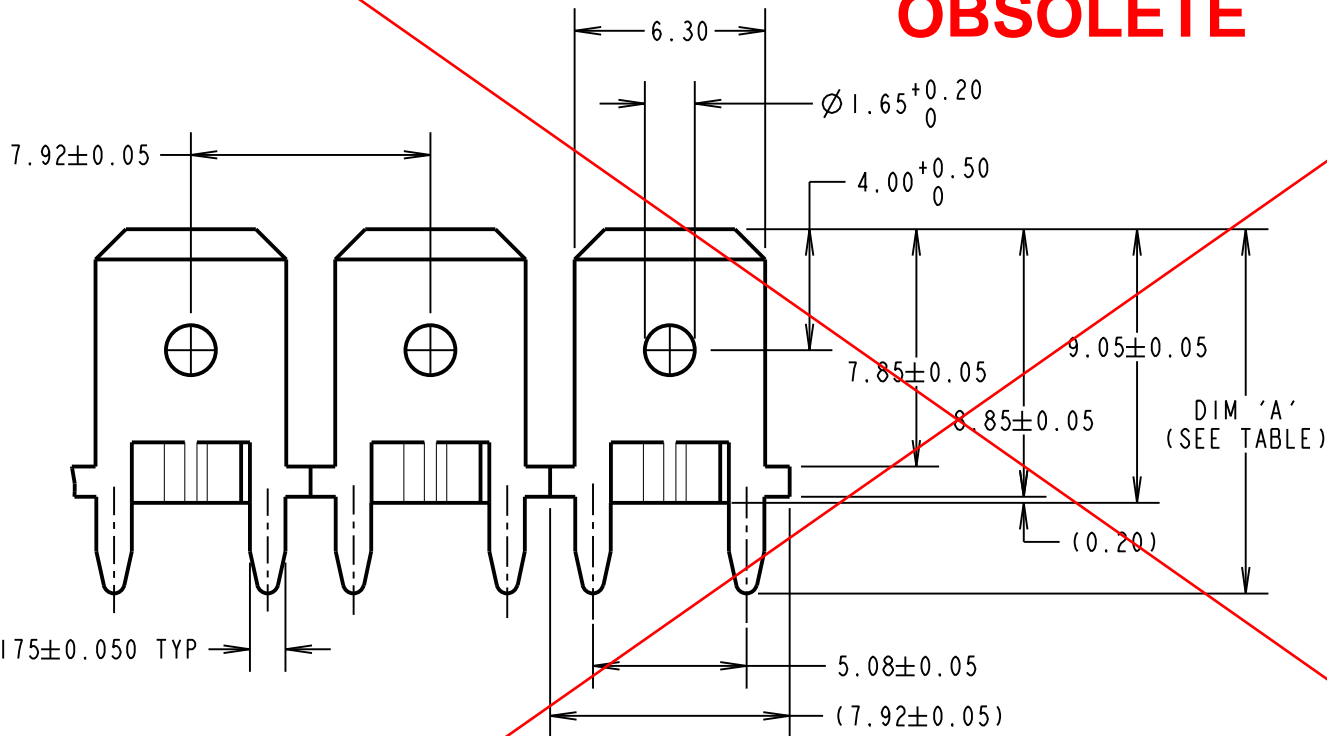
SEE NOTE 1



COMPONENTS SHOWN REELED
READY FOR INSERTION



OBSOLETE



NOTE:

- ANTI-ROCKING FEATURE.
- QUANTITY OF TABS PER COIL = 10K.
TOTAL WEIGHT PER COIL = 6.153kg.
- RECOMMENDED MOUNTING HOLE SIZE = $\varnothing 1.25 \pm 0.06\text{mm}$.
- PLATING THICKNESS = 4μ 100% TIN.

PART No.	DIM 'A'	PCB THICKNESS
S409-XX	12.05	1.60
S410-XX	12.85	2.40

ORDER CODE:
S4XX-46
TYPE 09 OR 10
(SEE TABLE)

SB	25	09.11.11	11532
NAME	ISS.	DATE	C/NOTE
APPROVED:		S.BENNETT	
CHECKED:		S.FLOWER	
DRAWN:		I. SANDY	
CUSTOMER REF.:			
ASSEMBLY DRG:			

HARWIN

www.harwin.com
technical@harwin.com

THIS DRAWING AND ANY INFORMATION OR DESCRIPTIVE MATTER SET OUT HEREON ARE CONFIDENTIAL AND COPYRIGHT PROPERTY OF THE HARWIN GROUP AND MUST NOT BE DISCLOSED, LOANED, COPIED OR USED FOR MANUFACTURING, TENDERING OR FOR ANY OTHER PURPOSE WITHOUT THEIR WRITTEN PERMISSION.

TOLERANCES

X. = $\pm 1\text{mm}$
X.X = $\pm 0.25\text{mm}$
X.XX = $\pm 0.10\text{mm}$
X.XXX = $\pm 0.01\text{mm}$
ANGLES = $\pm 5^\circ$
UNLESS STATED

MATERIAL:

BRASS CW508L H150
TO BS EN 1652 (CuZn37 HARD)

FINISH: SEE ABOVE

S/AREA: mm²

TITLE:

6.3mm BLADE VERTICAL
REELED TAB TERMINAL

DRAWING NUMBER:

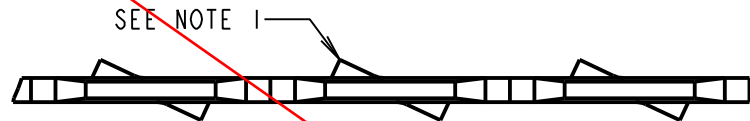
S409-46 / S410-46

SHT

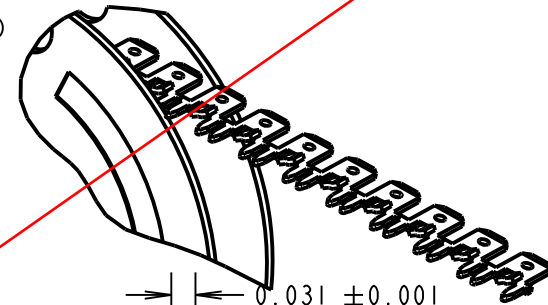
3 OF 4

Customer Information Sheet

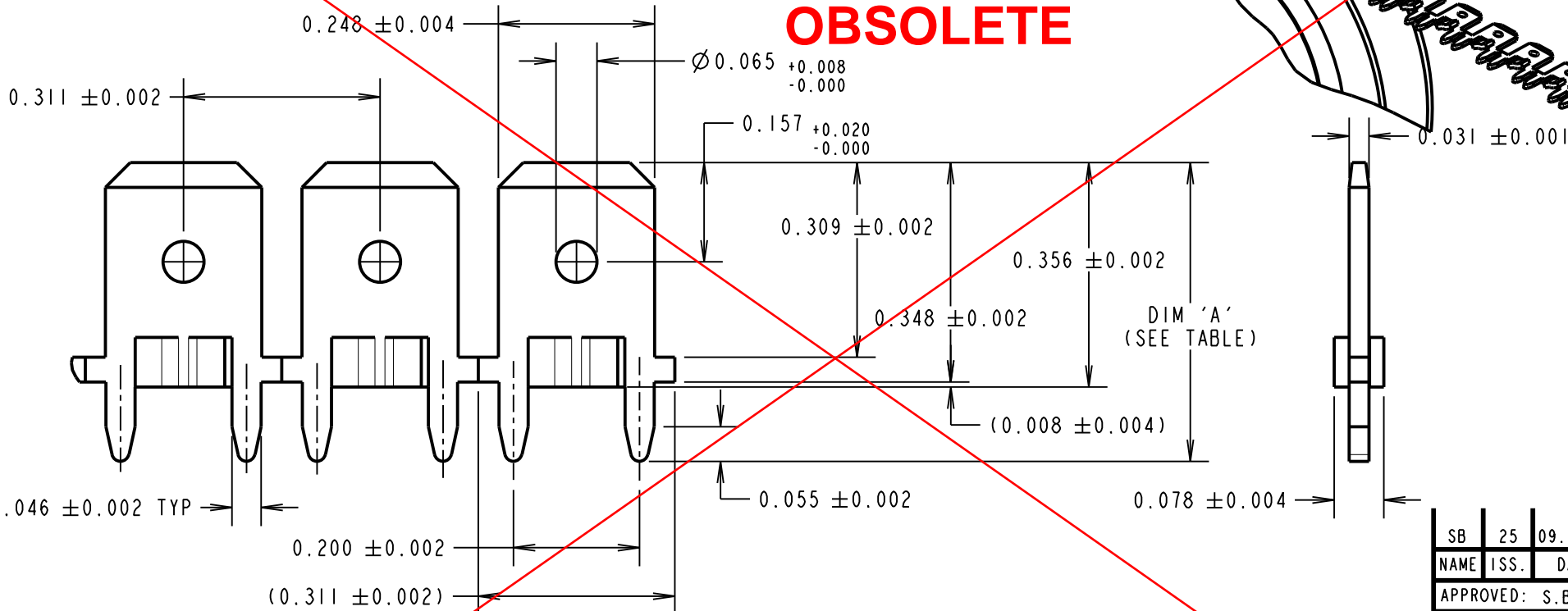
DRAWING No.: S409-XX / S410-XX SHEET 4 OF 4 IF IN DOUBT - ASK © NOT TO SCALE THIRD ANGLE PROJECTION ALL DIMENSIONS IN mm INCHES



COMPONENTS SHOWN REELED
READY FOR INSERTION



OBSOLETE



- NOTE:
- ANTI-ROCKING FEATURE.
 - QUANTITY OF TABS PER COIL = 10K.
TOTAL WEIGHT PER COIL = 6.153kg.
 - RECOMMENDED MOUNTING HOLE SIZE = $\varnothing 0.049 \pm 0.0024$ ".
 - PLATING THICKNESS = 160 μ " 100% TIN.

PART No.	DIM 'A'	PCB THICKNESS
S409-XX	0.475	0.063
S410-XX	0.506	0.094

ORDER CODE:
S4XX-46
TYPE 09 OR 10
(SEE TABLE)

SB	25	09.11.11	11532
NAME	ISS.	DATE	C/NOTE
APPROVED: S.BENNETT			
CHECKED: S.FLOWER			
DRAWN: I. SANDY			
CUSTOMER REF.:			
ASSEMBLY DRG:			



www.harwin.com
technical@harwin.com

THIS DRAWING AND ANY INFORMATION OR DESCRIPTIVE MATTER SET OUT HEREON ARE CONFIDENTIAL AND COPYRIGHT PROPERTY OF THE HARWIN GROUP AND MUST NOT BE DISCLOSED, LOANED, COPIED OR USED FOR MANUFACTURING, TENDERING OR FOR ANY OTHER PURPOSE WITHOUT THEIR WRITTEN PERMISSION.

TOLERANCES
 μ = ± 1 mm
 X.X = ± 0.25 mm
 X.XX = ± 0.10 mm
 X.XXX = ± 0.01 mm
 ANGLES = $\pm 5^\circ$
 UNLESS STATED

MATERIAL:
BRASS CW508L H150
TO BS EN 1652 (CuZn37 HARD)
FINISH: SEE ABOVE
S/AREA: mm²

TITLE:
0.248" BLADE VERTICAL
REELED TAB TERMINAL
DRAWING NUMBER:
S409-46 / S410-46
SHT 4 OF 4