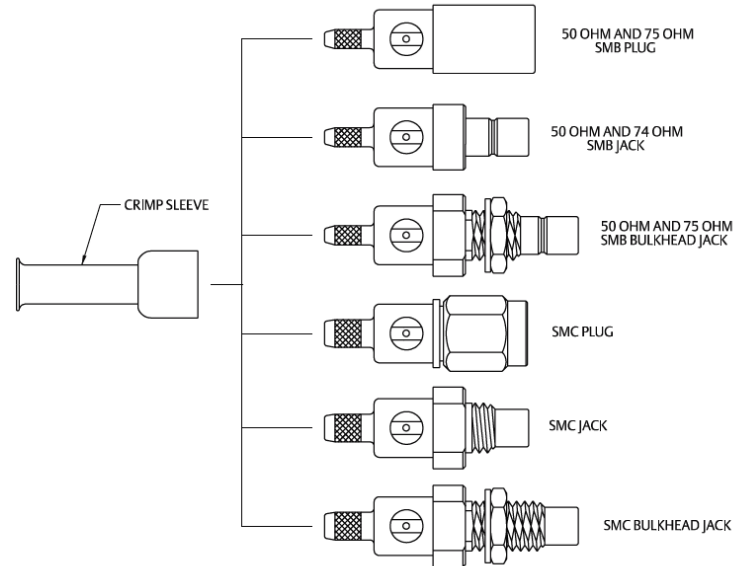


## SMB/SMC/Mini-75Ohm SMB (2-Piece) Crimp Type Straight Plugs, Jacks and Bulkhead Jacks for Flexible Cable

1. Identify connector parts. (2 piece parts – except bulkhead)
2. Strip cable to dimensions shown. Do not nick braid or center conductor. A wire stripper of correct size is recommended for this step. Twist stranded center conductor into tight bundle and tin. Slide crimp sleeve onto cable as shown.
3. Flare braid and slide cable into body making certain that the cable dielectric bottoms against center contact.

**Solder Attachment:** Solder center conductor to contact through the side access ports and hole in center contact. Use a minimum amount of solder for a full fillet joint. .020 (0.51) diameter solder is recommended.

**Crimp Attachment:** Crimp applicable 50 Ohm connector contacts with 141-0000-911 dieset in 144-0000-900 tool frame. Crimp 75 Ohm connector contacts with 141-0000-924 dieset in 144-0000-900 tool frame. Crimp attachment to solid center conductor cables is not recommended.



Cable Group	Part No.	Crimp Hex
RG-316/U, 161, 174, 179, 187, 188	131-1403-001/016	.128 (3.25)
RG-316 DS, 188 DS, 179 DS	131-1404-001/016	.151 (3.83)
RG-178/U, 196	131-3302-001/006	.105 (2.67)
RG-316/U, 161, 174, 179, 187, 188	131-3303-001/006	.128 (3.25)
RG-179 DS, 187 DS, 188 DS, 316 DS	131-3304-401/406	.151 (3.83)
RG-178/U, 196	131-3402-001/016	.105 (2.67)
RG-316/U, 161, 174, 179, 187, 188	131-3403-401/406	.128 (3.25)
RG-179 DS, 187 DS, 188 DS, 316 DS	131-3404-401/406	.151 (3.83)
RG-58/U, 141, 303	131-3407-001/006	.213 (5.41)
RG-316/U, 161, 174, 188	131-6303-401/406	.128 (3.25)
RG-316 DS, 188 DS	131-6304-401/406	.151 (3.83)
RG-179/U, 187	131-6333-401/406	.128 (3.25)
RG-316/U, 161, 174, 188	131-6403-001/006	.128 (3.25)
RG-316 DS, 188 DS	131-6404-001/006	.151 (3.83)
RG-179/U, 187	131-6433-001/006	.128 (3.25)
RG-179/U, 187, 316, 161, 174, 188	131-8303-401/406	.128 (3.25)
RG-179 DS, 187 DS, 188DS, 316DS	131-8304-401/406	.151 (3.83)
RG-179/U, 187, 316, 161, 174, 188	131-8403-001/006	.128 (3.25)
RG-179 DS, 187 DS, 188 DS, 316 DS	131-8404-001/006	.151 (3.83)
RG-59	131-8409-001/006	.255 (6.48)
BELDEN 735A	131-8445-001/006	.178 (4.52)

