



Analog Gas Sensor(MQ3) SKU:SEN0128



Contents

- [1 Introduction](#)
- [2 Specification](#)
- [3 Connecting Diagram](#)
- [4 Sample Code](#)
- [5 Version history](#)

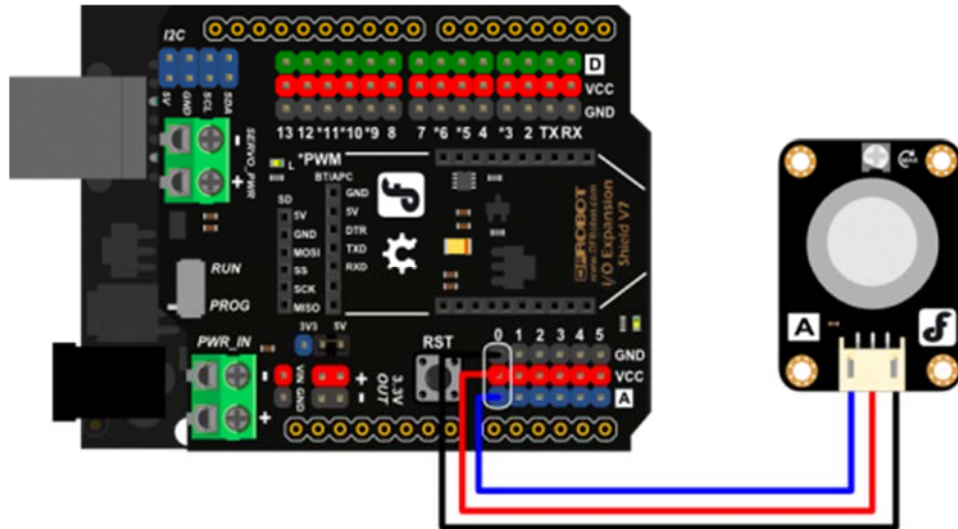
Introduction

The analog gas sensor - MQ3 is suitable for detecting alcohol, this sensor can be used in a Breathalyser. It has a high sensitivity to alcohol and small sensitivity to Benzene. The sensitivity can be adjusted by the potentiometer.

Specification

- Power supply needs: 5V
- Interface type: Analog
- High sensitivity to alcohol and small sensitivity to Benzene
- Fast response and High sensitivity
- Simple drive circuit
- Stable and long life
- Size: 36.4x26.6mm

Connecting Diagram



Sample Code

```
///  
//Arduino Sample Code  
void setup()  
{  
  Serial.begin(9600); //Set serial baud rate to 9600 bps  
}  
void loop()  
{  
  int val;  
  val=analogRead(0); //Read Gas value from analog 0  
  Serial.println(val,DEC); //Print the value to serial port  
  delay(100);  
}
```