

PROPRIETARY INFORMATION: PROPRIETARY OF ROVING NETWORKS ANY REPRODUCTION, DISCLOSURE OR USE OF THIS DRAWING, IN WHOLE OR IN PART, IS HEREBY PROHIBITED EXCEPT AS SPECIFIED IN WRITING BY ROVING NETWORKS	REVISION			
	REV	DESCRIPTION	DATE	AUTHOR
	A	INITIAL RELEASE, RFS.2474	1/18/06	MC
	B	UPDATE DWG O/P CONNECTOR, RFS.271	03/05/08	MC

1. NOTES:

DIMENSIONS ARE IN MM UNLESS SPECIFIED OTHERWISE.

2. ELECTRICAL SPECIFICATIONS:

INPUT VOLTAGE: 90 VAC TO 264 VAC
INPUT CURRENT: < 0.5 A RMS AT 90 VAC INPUT
INPUT FREQUENCY: 47 - 63 HZ

OUTPUT VOLTAGE / CURRENT: + 5 VDC AT 0 - 1000 mA
OUTPUT CURRENT : NO LOAD TO FULL LOAD,NO MINIMUM LOAD REQUIRED
OUTPUT POWER (RATED): 5 WATTS MAX
OUTPUT RIPPLE (PEAK TO PEAK): < 100 mV P-P
OUTPUT REGULATION (LINE/LOAD): ± 5 % FOR MAIN OUTPUT, MEASURED AT O/P CONNECTOR
LINE REGULATION: ± 2 % MAX AT FULL LOAD

TURN ON/ TURN OFF OVERSHOOT: 4% MAX 500uS MAX RECOVERY TIME FOR 25% STEP LOAD
TURN-ON DELAY: 1000 mSEC MAX
HOLD-UP TIME: 16 mSEC MIN AT NOMINAL INPUT AND FULL LOAD
INRUSH CURRENT: 20 A MAX AT COLD START N.A.
EFFICIENCY: 60 % TYPICAL.
SWITCHING FREQUENCY: 100 KHZ TYPICAL

OVER-CURRENT/SHORT CIRCUIT PROTECTION: 2.0Io CONSTANT CURRENT LIMITING WITH AUTORECOVERY
OVER-VOLTAGE PROTECTION: 8.5 VDC MAX WITH ZENER CLAMP

OTHER PROTECTION: INPUT FUSING
SAFETY APPROVALS : UL 60950 3-TH ED., CUL, CLASS II
DIELECTRIC WITHSTAND VOLTAGE: 3000 VAC PRIMARY TO SECONDARY
LEAKAGE CURRENT: ≤0.25 mA

EMI: FCC PART 15 CLASS B WHEN TESTED WITH A RESISTIVE LOAD, BOTH CONDUCTED AND RADIATED

MTBF: SHALL BE 50,000 HOURS OR GREATER AT 25 °C AMBIENT TEMPERATURE.
OPERATING TEMPERATURE: 0°C TO 40° C DERATE LINEARLY FROM 100% AT 40° C TO 50% AT 70°C
STORAGE TEMPERATURE: -20° TO 60° C
HUMIDITY: 5 TO 95% RELATIVE HUMIDITY
WEIGHT: 90 g MAX

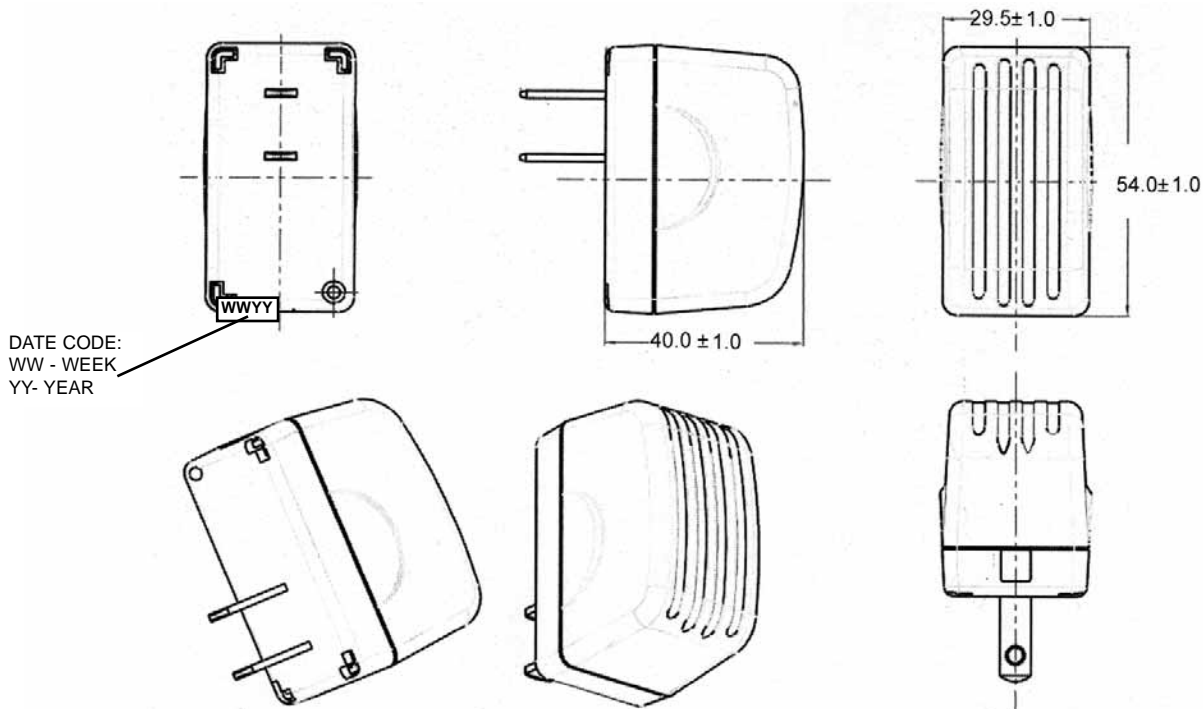
Foot Note: Roving Networks will not be liable for the safety and performance of these power supplies if unauthorized access and repair occurs. End user should consult applicable UL, CSA or EN standards for proper installation instructions	DASH NO.	PART NO	REV.	DESCRIPTION	NOTES
	<p style="text-align: right;">809 University Ave, Los Gatos, CA 95032 Tel.408-395-6539 Fax 603-843-7550</p> <p style="text-align: center;">www.rovingnetworks.com</p>				
Limitation of Use: Roving Networks product are not authorized for use as mission critical components in life support hazardous environment, nuclear or aircraft applications without prior written approval from the CEO of Roving Networks	INIT.BY: MC	DATE: 1/18/06	TOLERANCES: DECIMALS ANGULAR .xx +/- 0.1 +/- 1° .xxx +/- .005		DWG TITLE: N.A. WALL PLUG-IN SWITCHING POWER SUPPLY, 5 WATT, 5.0 V DC @ 1.0 A
	DRAWN: LR	DATE: 1/18/06	FSCN No.: G, Y	SIZE A	
Contents of this document are subject to change without prior notice	APRVD:MC	DATE: 1/18/06	CAGE CODE: 0GV V90 SCALE: NONE		PART NO: RN-PS-US-5R-P SHEET 1 OF 3

PROPRIETARY INFORMATION:

PROPRIETARY OF ROVING NETWORKS ANY REPRODUCTION, DISCLOSURE OR USE OF THIS DRAWING, IN WHOLE OR IN PART, IS HEREBY PROHIBITED EXCEPT AS SPECIFIED IN WRITING BY ROVING NETWORKS

3. ENCLOSURE:

UPPER HOUSING: HIGH IMPACT PLASTIC, 94V0 POLYCARBONATE, NON-VENTED, COLOR BLACK
LOWER HOUSING: HIGH IMPACT PLASTIC 94V0 POLYCARBONATE, NON- VENTED, COLOR BLACK
SIZE: 54.0 x 40.0 x 29.5 ± 1 mm



4. INPUT CONNECTOR:

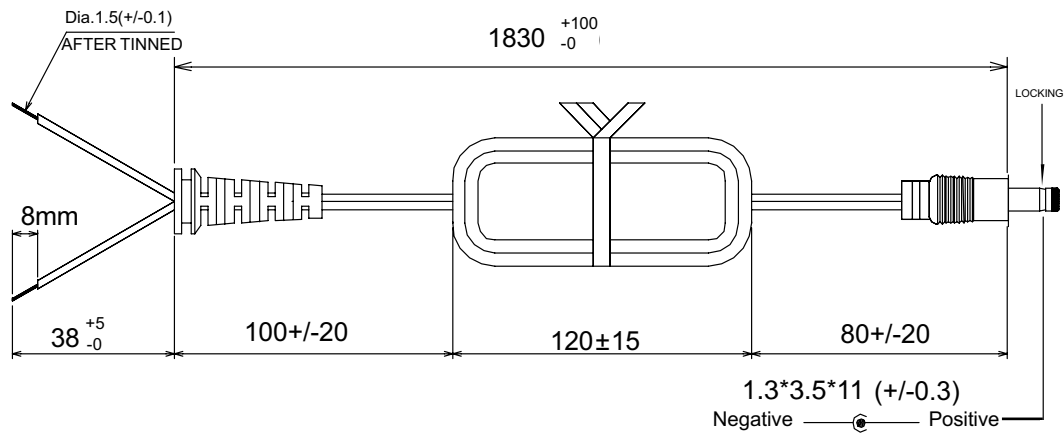
CONFIGURATION: CLASS II MODEL NEMA 1-15P AC POWER RECEPTACLE WITH 2 PRONGS

5. OUTPUT CORD:

2 CONDUCTOR, 20 AWG STRANDED WIRE, FLAT VW-1 RATED UL 2468, COLOR BLACK,
LENGTH (L) OF CORD: 1830+ 100/-0 mm.
CORD IS MEASURED FROM THE HOUSING TO THE END OF OVERMOLD OF THE CONNECTOR.
CABLE IS TO BE MARKED WITH WIRE GAUGE, AND ALL APPLICABLE RATING AND SAFETY APPROVALS.

6. OUTPUT CONNECTOR:

STRAIGHT LOCKING FEMALE BARREL 3.5 x 1.3 x 11 mm WITH CENTER POSITIVE:



809 University Ave, Los Gatos , CA 95032 Tel. 408-395-6539 Fax 603-843-7550	
www.rovingnetworks.com	
DWG TITLE: N.A. WALL PLUG-IN SWITCHING POWER SUPPLY, 5 WATT, 5.0 V DC @ 1.0 A	
MODEL NO: RN-PS-US	REV. B
PART NO: RN-PS-US-5R-P	SHEET 2 OF 3

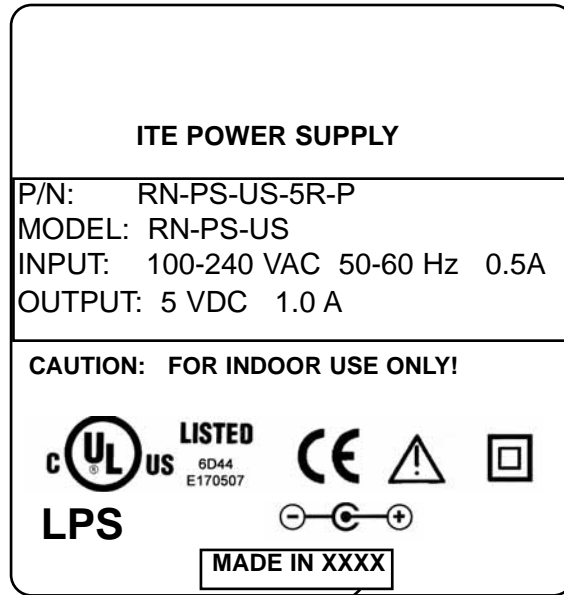
PROPRIETARY INFORMATION:

PROPRIETARY OF ROVING NETWORKS ANY REPRODUCTION, DISCLOSURE OR USE OF THIS DRAWING, IN WHOLE OR IN PART, IS HEREBY PROHIBITED EXCEPT AS SPECIFIED IN WRITING BY ROVING NETWORKS

7. LABEL:

MATERIAL: .007 (0.18) THICK FLAT THERMAL TRANSFER, IMPRINTABLE, WHITE OR GRAY POLYESTER SHEET WITH BLACK TEXT.

MANUFACTURER: STEVEN LABEL, MATERIAL I.D. NO.3302-33, UL FILE NO. MH12821(N), UL MATERIAL DESIGNATION FILE NO. GHW332RL. OPTIONAL LABEL MATERIAL CAN BE SUBSTITUTED PROVIDING MATERIAL IS UL LISTED AND COMPLIES WITH APPLICABLE SAFETY REQUIREMENTS.

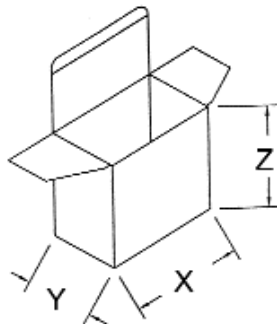


XXXX - USA OR CHINA

8. INDIVIDUAL PACKING BOX:

MATERIAL: CORRUGATED FIBERBOARD, FLUTE 0.8 (2.0) THICK, DOUBLE WALL CONSTRUCTION.

EXTERNAL FINISH: WHITE, COATED WITH GLOSS FINISH (AQUEOUS OR VARNISH) STYLE: TUCK SIDES WITH LOCKING TABS ON BOTH SIDES OF BOX. NO PRINTING ON THE OUTSIDE OF BOX.



X = 80 mm

Y = 35 mm

Z = 60 mm

www.rovingnetworks.com		809 University Ave, Los Gatos, CA 95032 Tel. 408-395-6539 Fax 603-843-7550	
DWG TITLE: N.A. WALL PLUG-IN SWITCHING POWER SUPPLY, 5 WATT, 5.0 V DC @ 1.0 A			
MODEL NO: RN-PS-US		REV. B	
PART NO: RN-PS-US-5R-P		SHEET 3 OF 3	