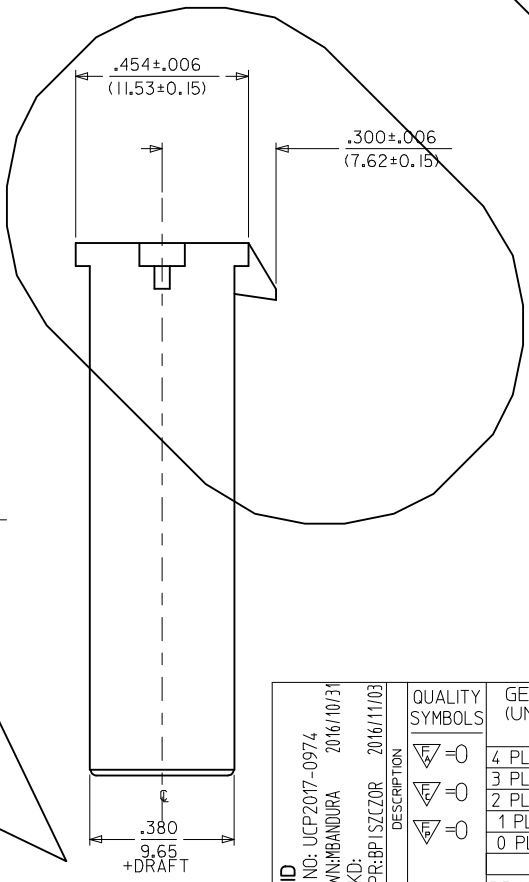
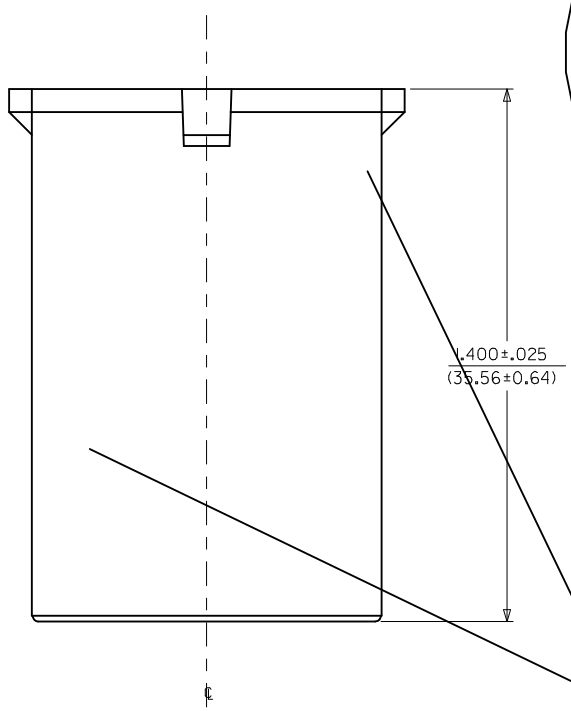


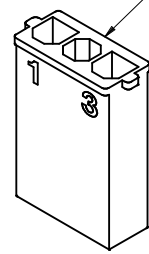
ITEM NUMBER	MATERIAL	COLOR
43680-2003	UL94V-0 NYLON	BLACK
43680-1003	UL94V-2 NYLON	NATURAL (TRANSLUCENT)
43680-3003	UL94V-2 NYLON, IEC 60335-1, GLOW WIRE CAPABLE	BLACK

**NOTES:**

1. MATERIAL: SEE CHART.
2. FINISH: NONE.
3. PRODUCT SPECIFICATION: PS-4441-9999.
4. PACKAGING: PK-43680-001.
5. THIS CONNECTOR HOUSING FOR USE WITH 43178-\*\*\*\* TERMINALS.
6. THIS CONNECTOR HOUSING WILL MATE TO 43385-\*\*\*3, 43179-\*\*\*3 AND 44441-\*\*\*3 HOUSINGS.
7. PARTS CONFORM TO CLASS B REQUIREMENTS OF COSMETIC SPEC PS-45499-002.  
- SOME PARTS MAY HAVE A BLEMISH NEAR THE GATE THAT DOES NOT AFFECT FUNCTIONALITY.



LOCKING NUB IS LOCATED HERE



43680-\*003  
(NO SCALE)

<b>VOID</b> EC NO: UCP2017-0974 DRAWN: MBANDURA 2016/10/31 CHKD: APPR: BP/ISZCZOR 2016/11/03 REV:	QUALITY SYMBOLS	GENERAL TOLERANCES (UNLESS SPECIFIED)		DIMENSION STYLE		SCALE	DESIGN UNITS	THIRD ANGLE PROJECTION	
	▽=0	mm	INCH	IN/MM		4:1	INCH		
	▽=0	4 PLACES ±---	±---	DRAWN BY	DATE	TITLE			
	▽=0	3 PLACES ±---	±.010	CM	03/22/96	3-CIR. PLUG HOUSING			
	2 PLACES ±0.25	±.014	CHECKED BY	DATE	VOID .125/(3.18)X.020/(0.51)				
	1 PLACE ±0.35	±---	KBP	03/22/96	SABRE - TPA				
	0 PLACE ±---	±---	APPROVED BY	DATE	<b>molex</b>				
			FSMITH	2015/01/09	SD-43680-*003				
			ANGULAR ±1/2°		MATERIAL NO.	DOCUMENT NO.		SHEET NO.	
			DRAFT WHERE APPLICABLE MUST REMAIN WITHIN DIMENSIONS		SEE CHART	SD-43680-*003		1 OF 1	
			THIS DRAWING CONTAINS INFORMATION THAT IS PROPRIETARY TO MOLEX INCORPORATED AND SHOULD NOT BE USED WITHOUT WRITTEN PERMISSION						

