

H G F E D C B A

4

3

2

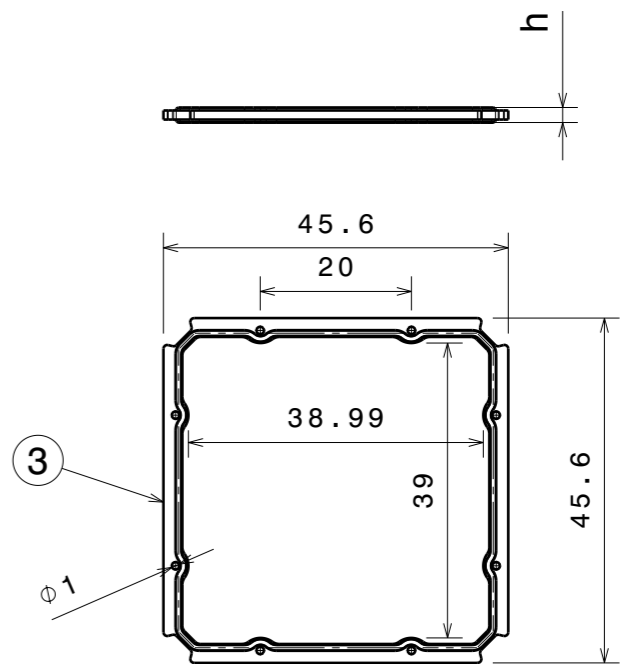
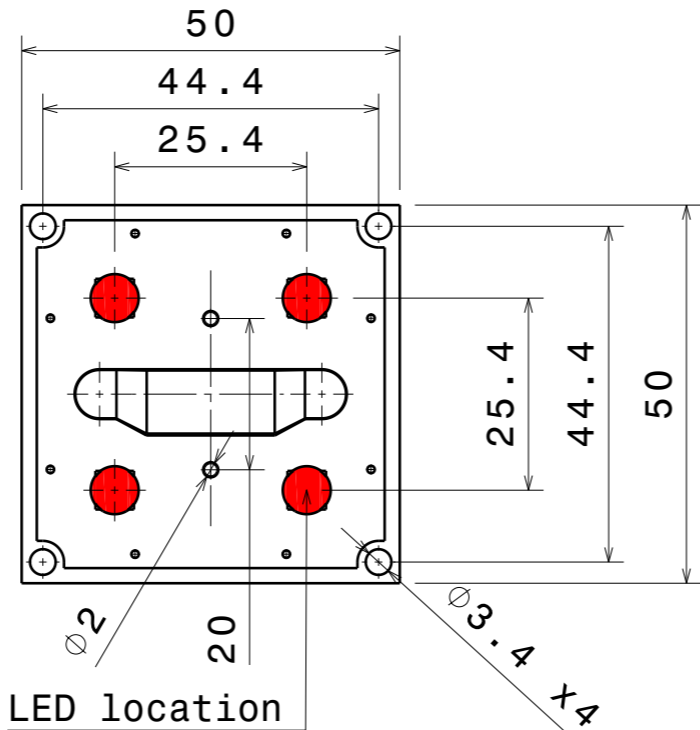
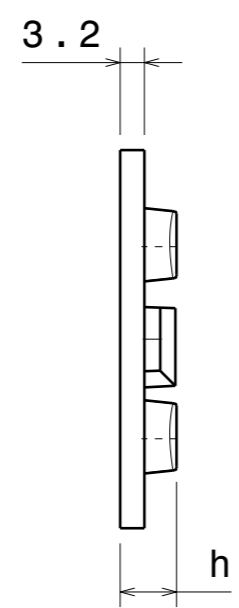
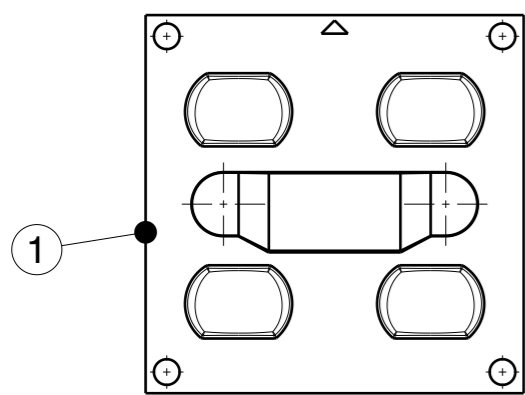
1

4

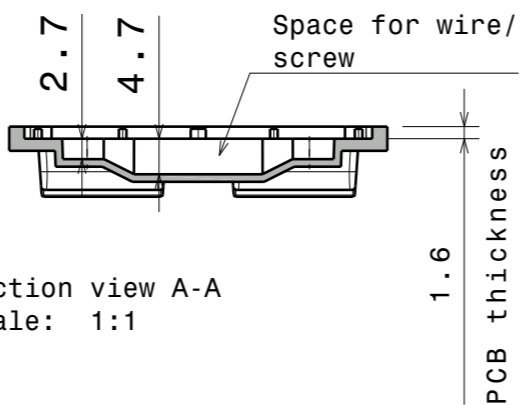
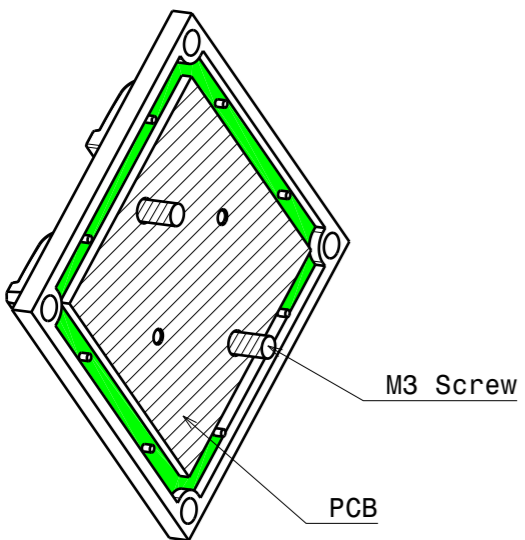
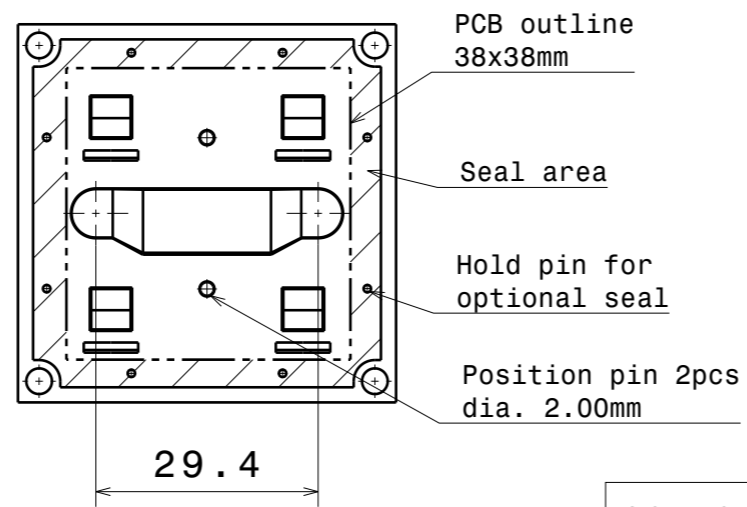
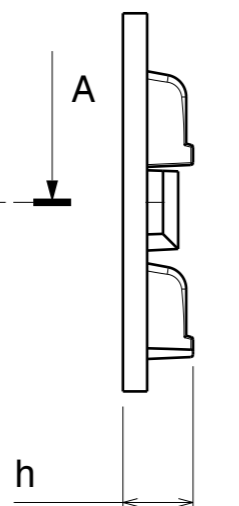
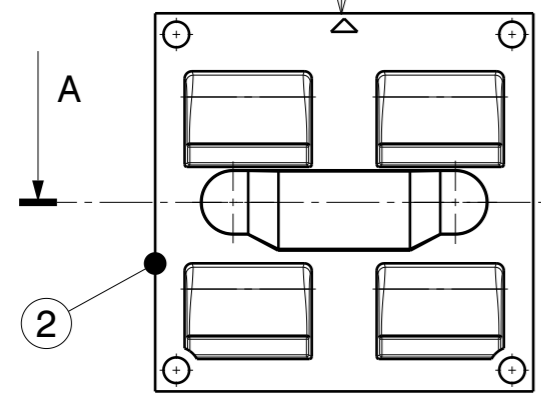
3

2

1



Street side according arrow mark



Section view A-A
Scale: 1:1

COMPONENTS

INDEX	PART	TYPE	MATERIAL	h (mm)	COLOR / COATING
1	C16375_SITARA-2X2-T1-A	Lens	PC	8	Clear
2	C16376_SITARA-2X2-T2	Lens	PC	9.26	Clear
3	C16421_SITARA-2X2-SEAL	Seal	Silicone	1.99	

Notes

- PCB or heat sink level
 - Led location
- Ensure LED fitting from a product specific 3D model available from www.ledil.com

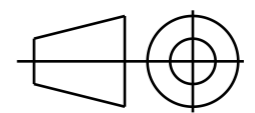
PRODUCTION DRAWING

FAMILY **SITARA-family (2x2)**



Tolerances if not otherwise shown
According to DIN ISO 2768-1
Linear measures: Up to 30mm class M, otherwise class C. According to DIN ISO 2768-2
Form and position: class L

FIRST ANGLE PROJECTION:



This drawing is the property of LEDiL Oy. It may not be reproduced, copied or communicated without a written agreement with LEDiL Oy.

SCALE 1:1 WEIGHT A3 SHEET 1/1

H G B A