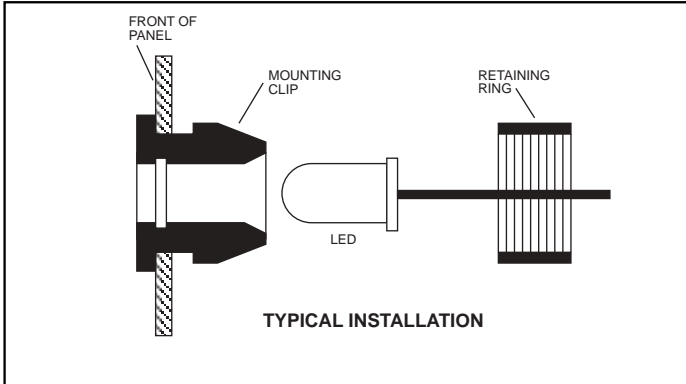


# 5mm LED Snap-In Mounting Clips

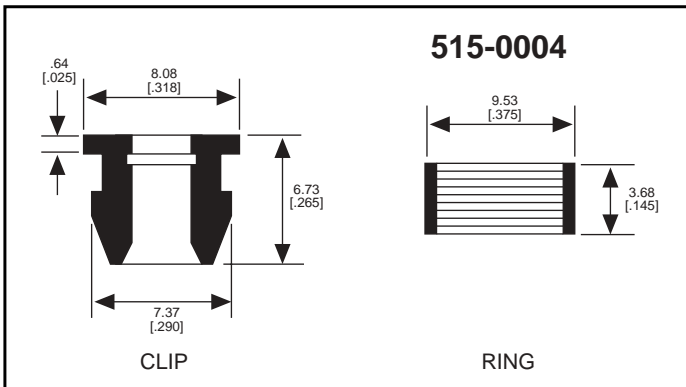


### Mounting Instructions

1. Snap Mounting Clip into front of Panel.
2. Insert LED Lamp into Mounting Clip from rear of Panel.
3. Snap Retaining Ring over Mounting Clip from rear.

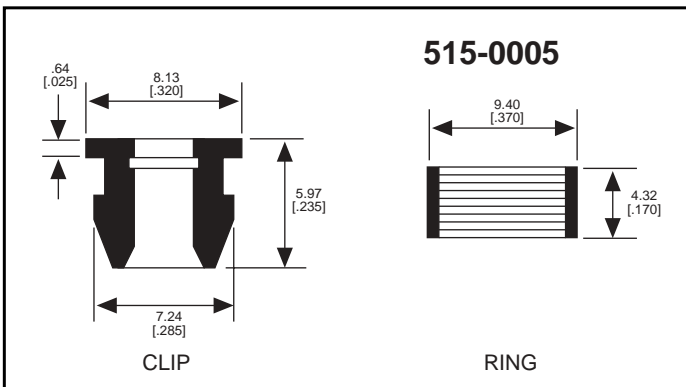
**Recommended Mounting Hole:** 6.73 [.265]

**Maximum Panel Thickness:** 2.78 [.110]



515-0004 Snap-In Mounting Clips for use with the following LEDs:

521-9183	521-9321
521-9246	521-9327
521-9247	521-9450
521-9248	521-9460 <b>NEW</b>
521-9249	521-9464
521-9250	521-9465
521-9251	521-9466
521-9284	521-9704
521-9320	



515-0005 Snap-In Mounting Clips for use with the following LEDs:

521-9173
521-9174
521-9445
521-9651
521-9724