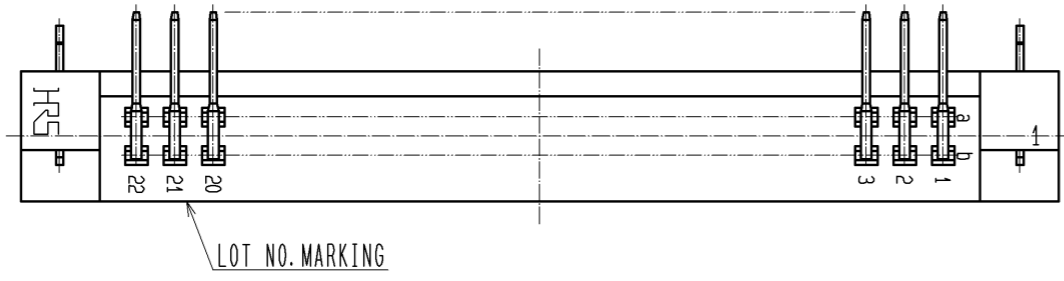
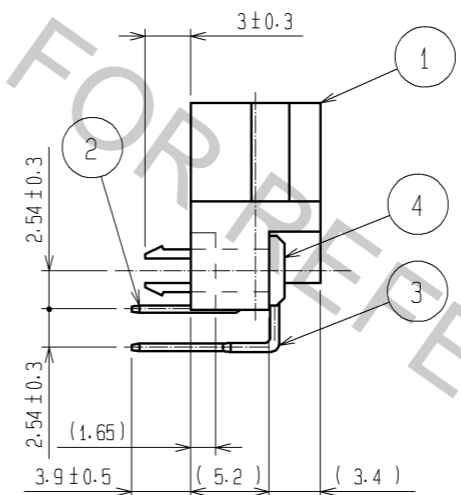
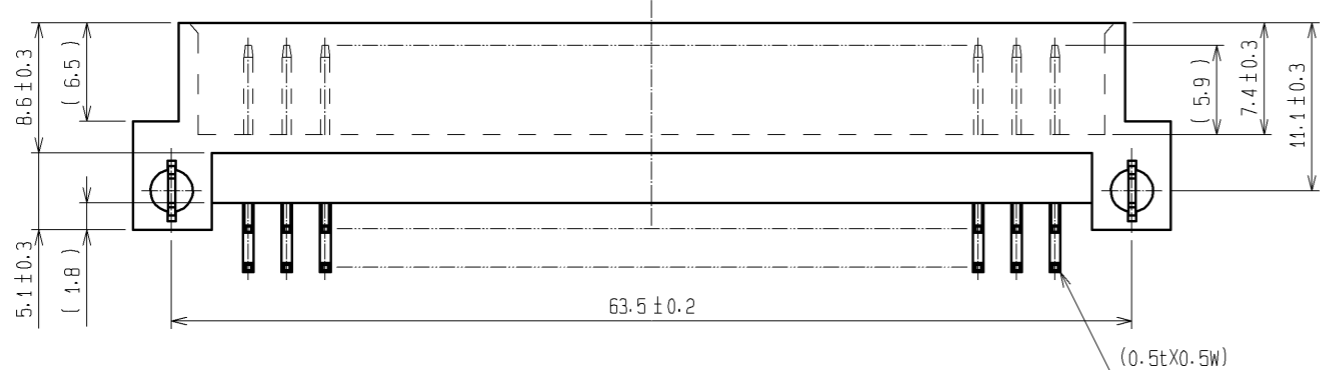


RECOMMENDED PC BOARD HOLE PATTERN(t=1.6±0.1)



1	PBT	BLACK UL94V-0	4	PHOSPHOR BRONZE	Ni1 μm+Sn1 μm
			2, 3	BRASS	CONTACT AREA : Ni2.5 μm+Au0.2 μm DIP AREA : Ni2.5 μm+Sn2 μm
NO.	MATERIAL	FINISH . REMARKS	NO.	MATERIAL	FINISH . REMARKS
UNITS	mm	SCALE	2 : 1	COUNT	△
DESCRIPTION OF REVISIONS		DESIGNED	CHECKED		
DATE					
APPROVED : HS. OKAWA		11.12.12		DRAWING NO. EDC3-020869-01	
CHECKED : NH. SUGITA		11.12.12		PART NO. PCN10MC-44P-2.54DS(72)	
DESIGNED : KJ. NISHIWAKI		11.12.12		CODE NO. CL583-0385-5-72	
DRAWN : CR. TAKESHIMA		11.12.12		△ 1/1	