

SPECIFICATION

Penta-band Cellular Omni-Directional Antenna

- Part No. : **OMB.8912. 03F21**
- Product Name : 3 dBi Penta-band Cellular Indoor/Outdoor
Omni-Directional Antenna
- Feature : GSM850/ GSM900/ DCS/ PCS/ WCDMA I
850/ 900/ 1800/ 1900/ 2100 MHz
Suitable to use in robust outdoor environment
RoHS compliant



1. Introduction

The Penta-band cellular Barracuda Outdoor antenna is designed to have long distance coverage. Omni-directional high gain across all bands ensures constant reception and transmission. The UV resistant coating with fiberglass housing makes this antenna suitable to be mounted in robust outdoor environment, pole-mounting and wall-mounting bracket is included. The antenna finds its usage in boosting cellular coverage in remote areas or difficult environments indoors and outdoors.

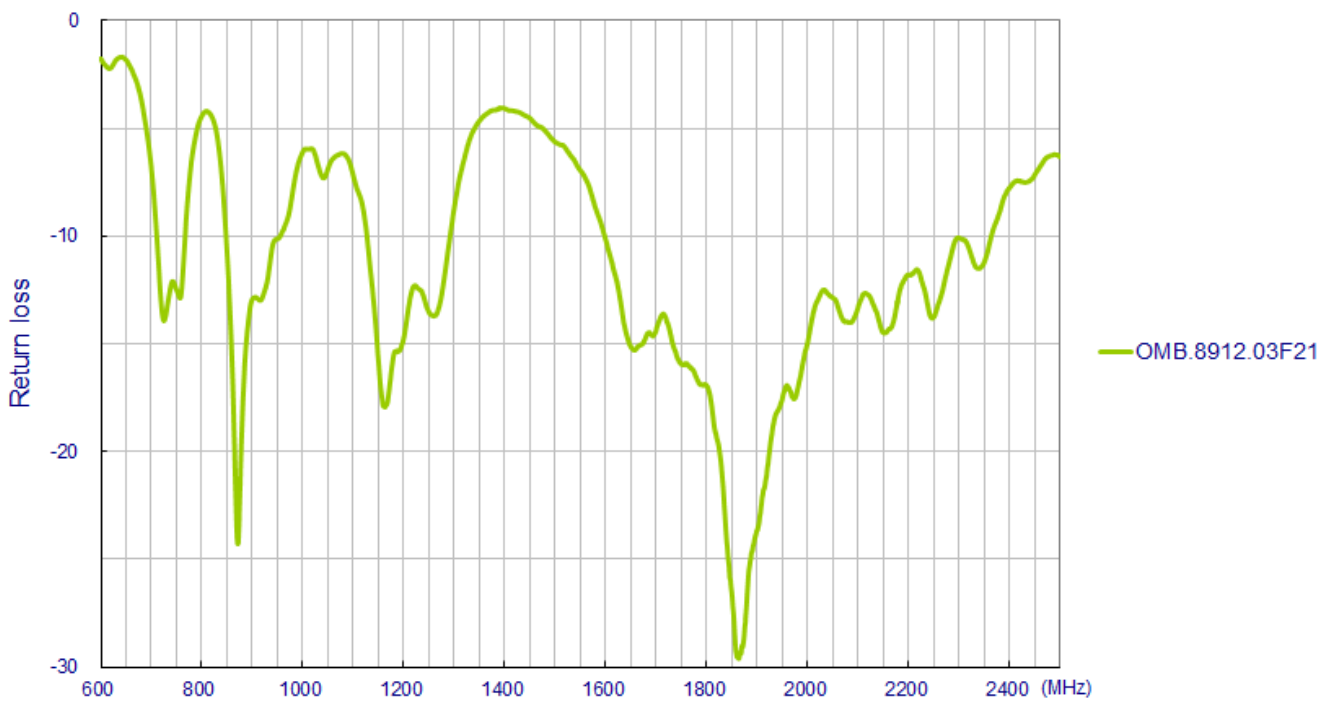
2. Specification

ELECTRICAL					
Standard	GSM	GSM	DCS	PCS	WCDMA I
Band	850	900	1800	1900	2100
Frequency (MHz)	824~894	880~960	1710~1880	1850~1990	1920~2170
Peak Gain (dBi)	1.55	2.13	4.47	4.49	4.89
Average Gain (dBi)	1.18	1.78	3.87	4.24	4.08
Efficiency (%)	63.4	75.7	81.2	88.8	87.3
Antenna Type	Collinear				
Polarization	Vertical				
Impedance	50 ohms				
Max Input Power	50 watts				
VSWR	<2.0:1				
Radiation	Omni-Directional				
Vertical Bandwidth	65 Deg				
Horizontal Bandwidth	360 Deg				
Antenna Design	Dipole Array				
Internal Material	Copper				
Connector	N Type Female				
MECHANICAL					
Length	527 mm				
Base Diameter	70*55mm(Max)				
Antenna Weight(G.W)	350g				
Mounting Accessories(G.W)	70g				
Application	Indoor/Outdoor				
Radome Material	White Fiberglass				
Base Material	Aluminum				
Mount Style	Pole Mount/Wall Mount				
Mounting	Stainless Steel				
Wind Resistance	>150mph (>241km/h)				

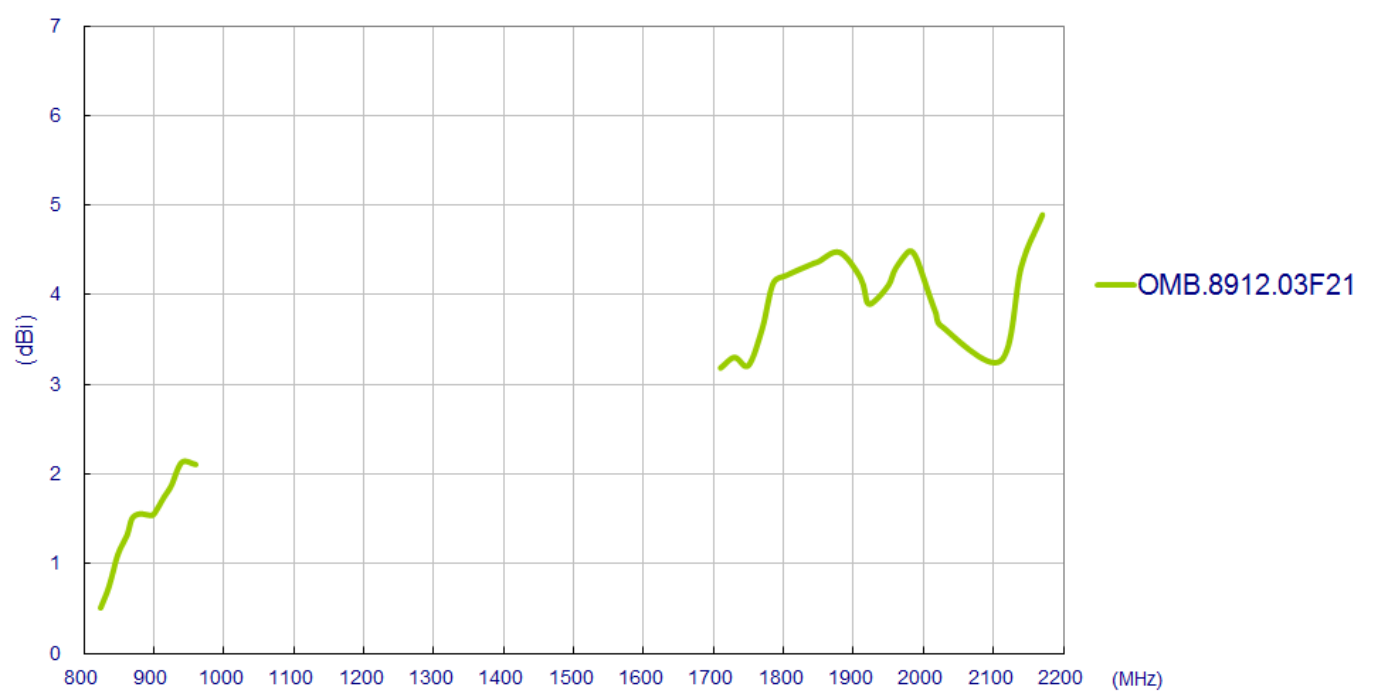
ENVIRONMENTAL	
Storage Temperature	-40°C to +80°C
Operating Temperature	-40°C to +60°C
Operating Humidity	10%~80% non-condensing
Storage Humidity	5%~80% non-condensing

3. Antenna Characteristics

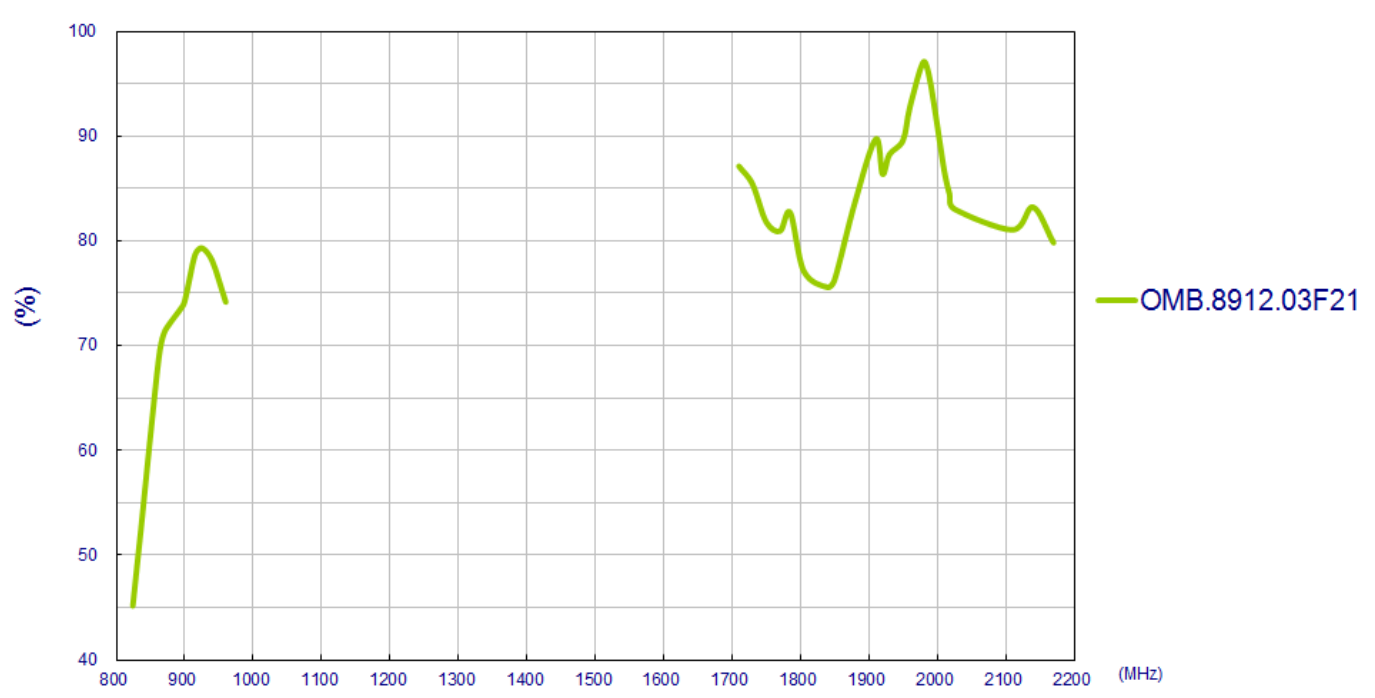
3.1 Return Loss



3.2 Maximum Gain



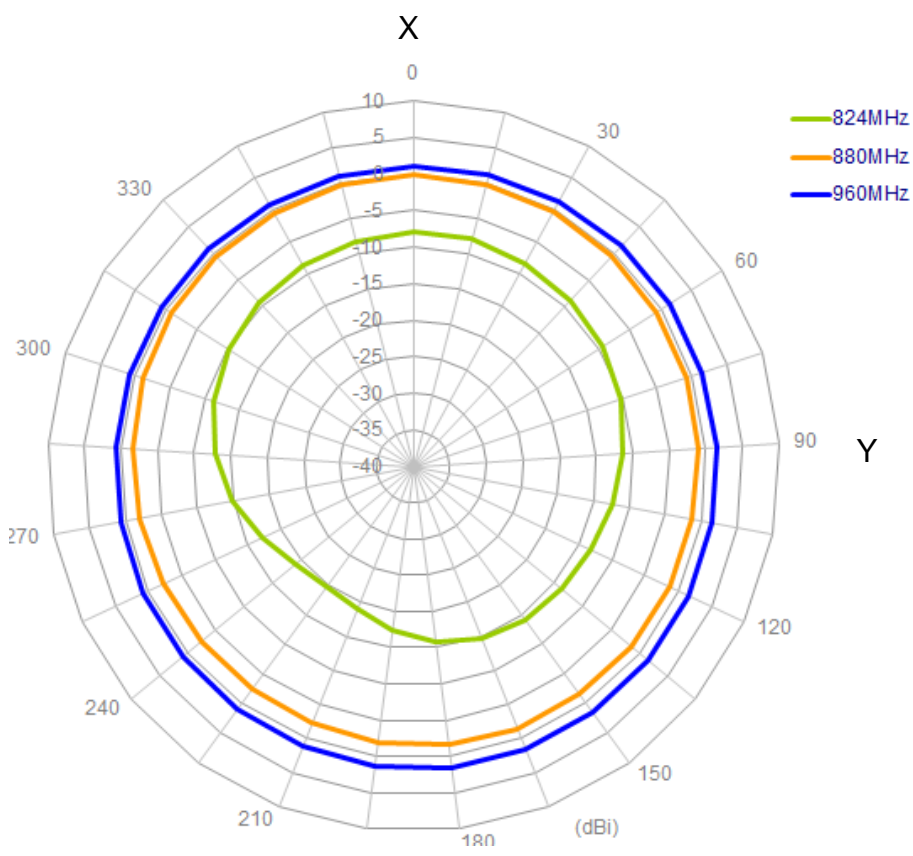
3.3 Efficiency

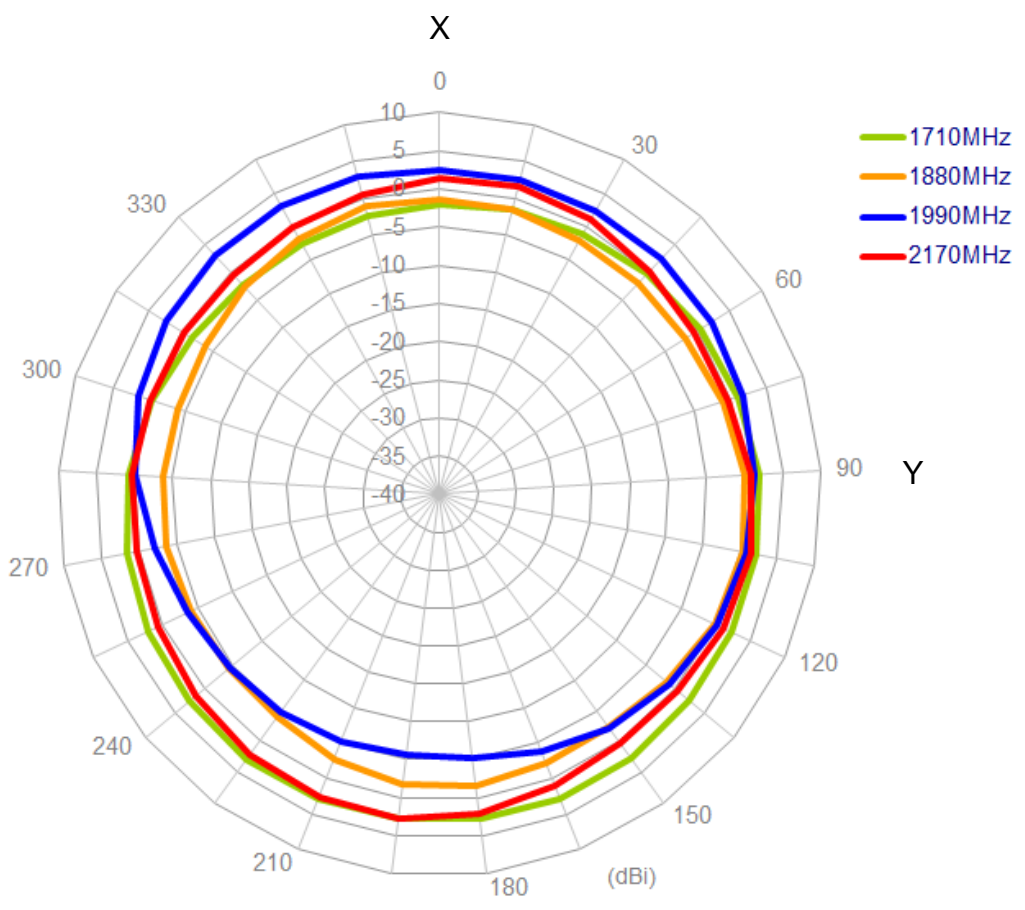


4.3D Radiation Property

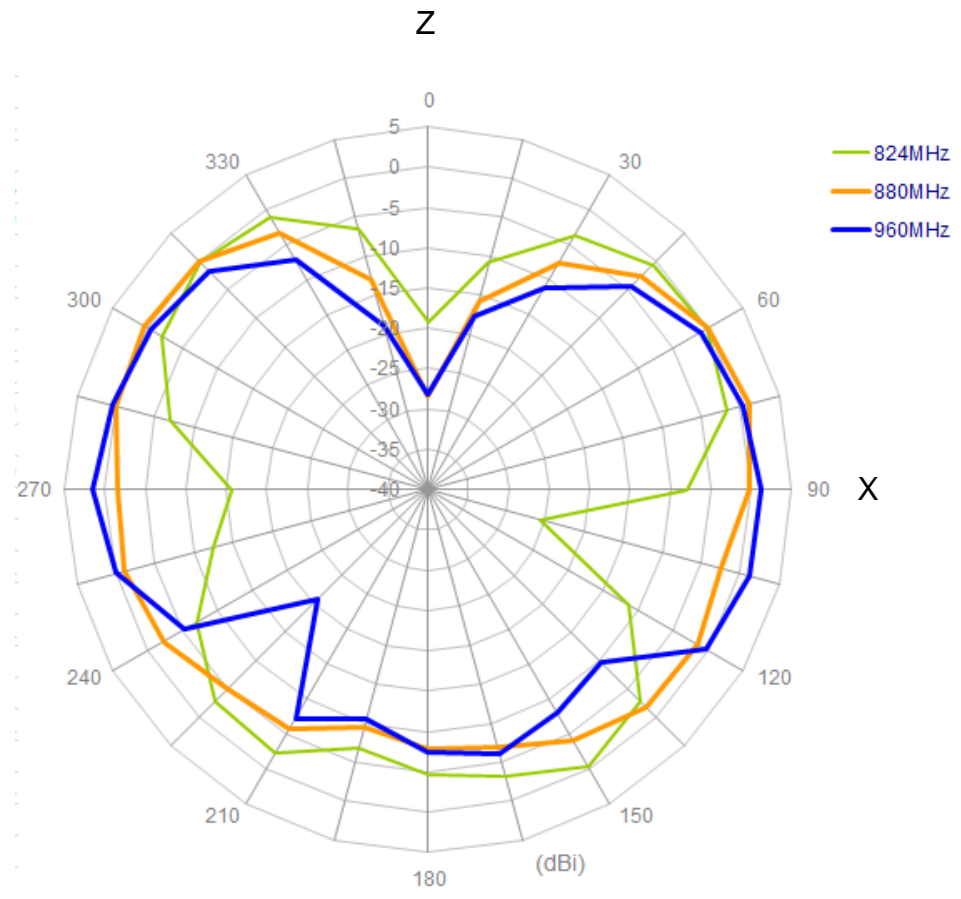


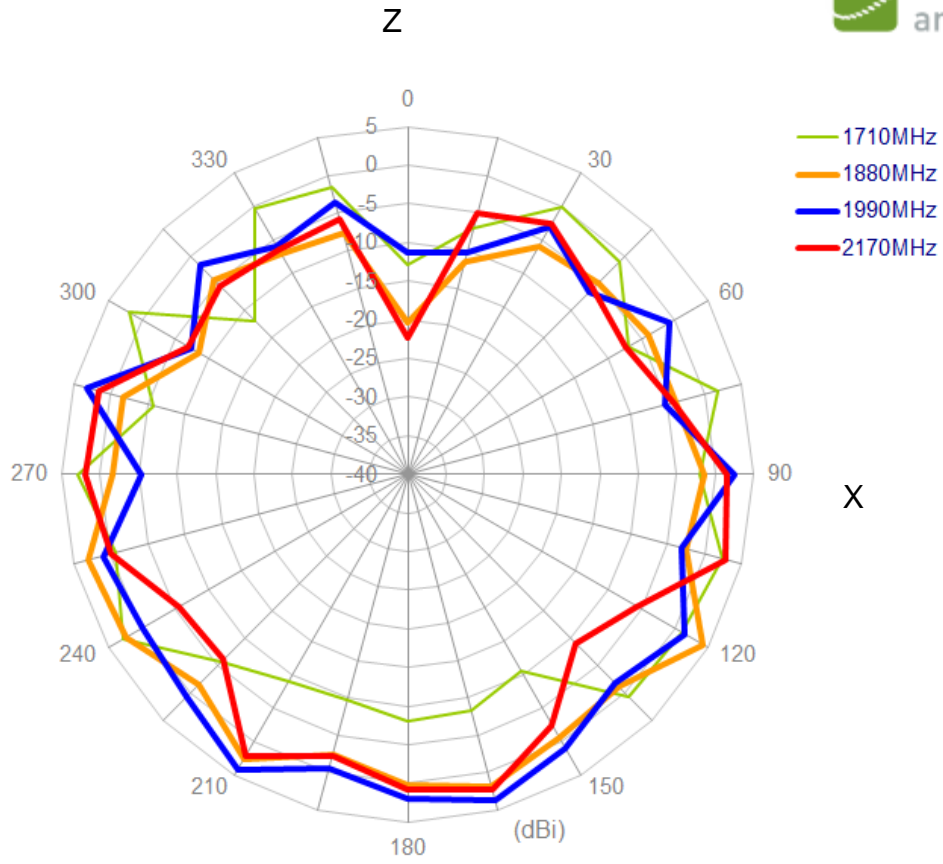
XY-plane



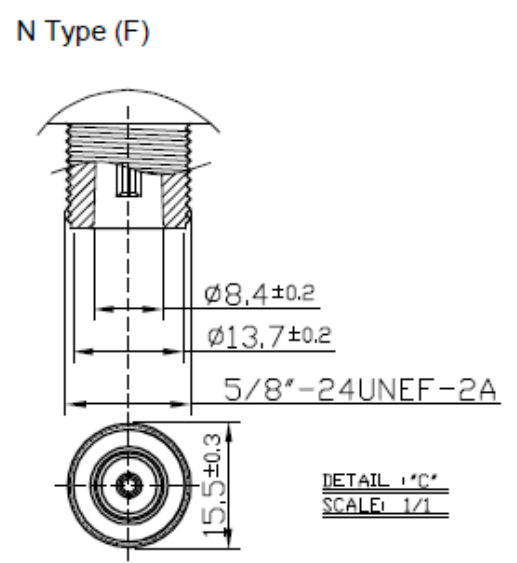
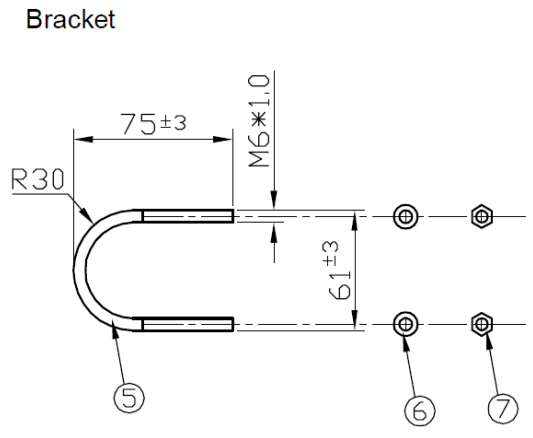
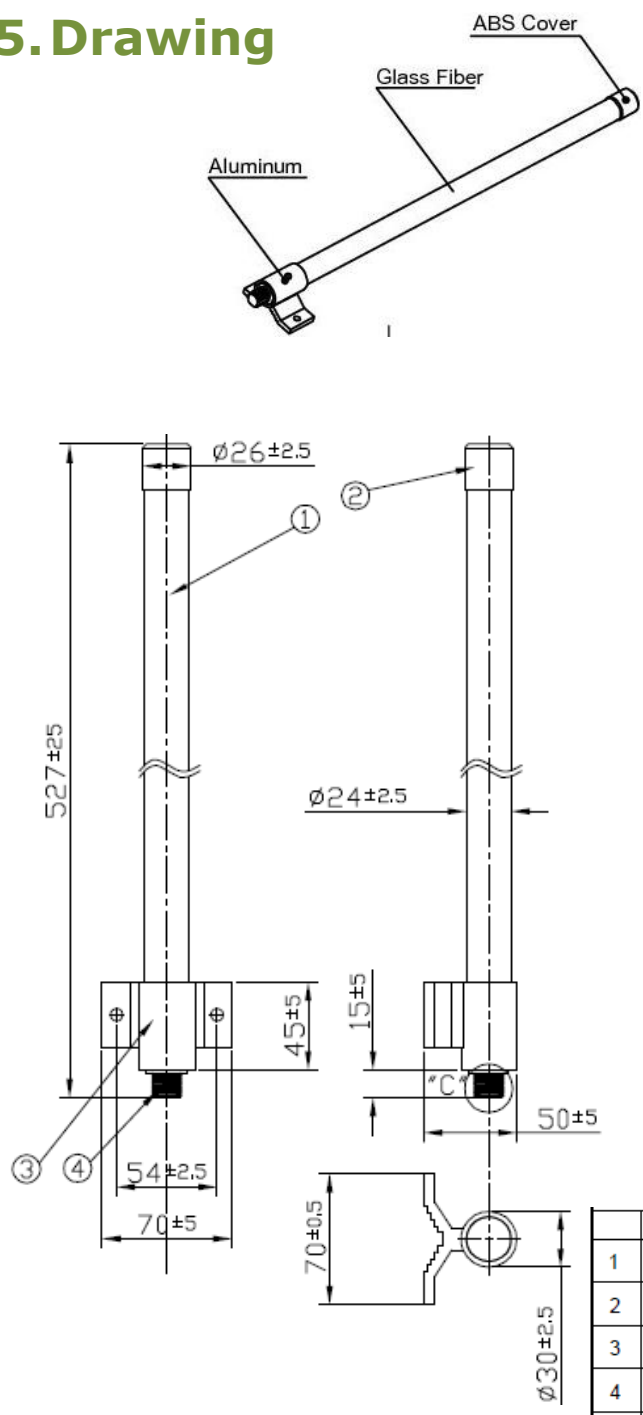


XZ-plane





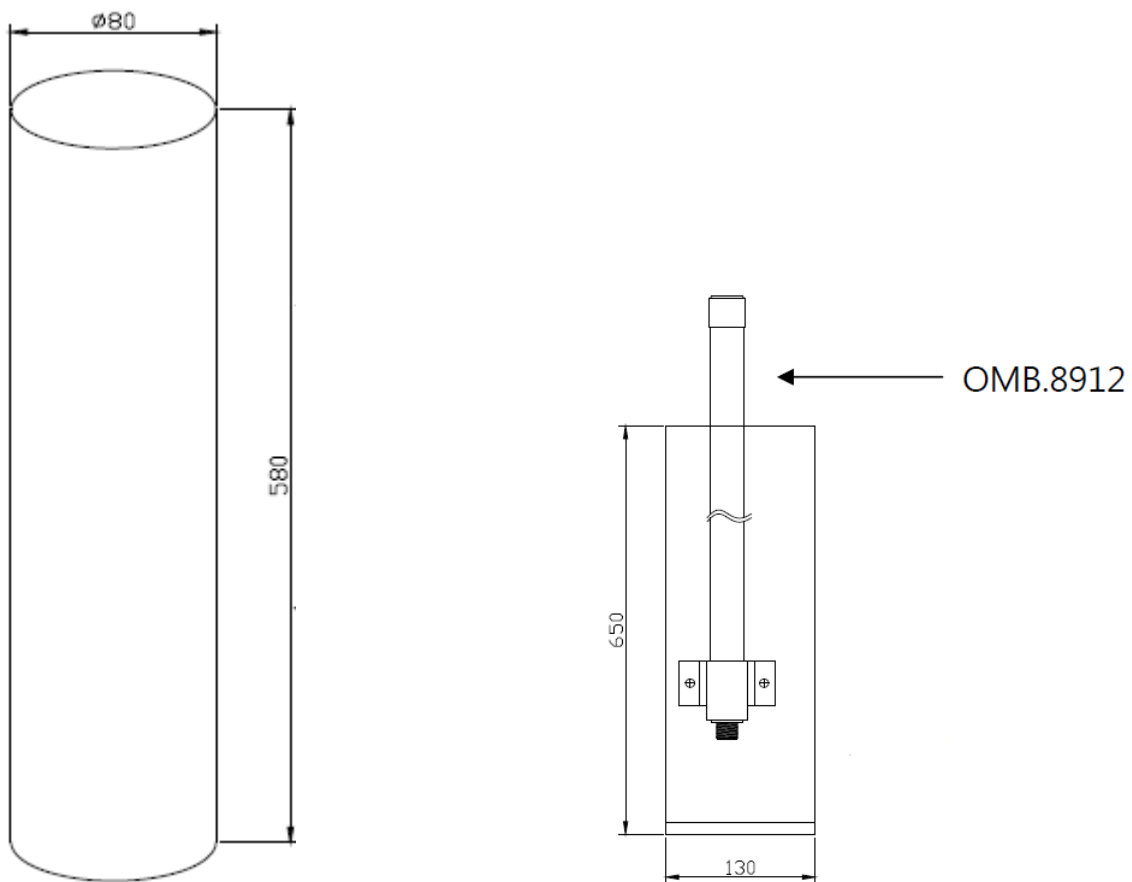
5. Drawing



	Name	P/N	Material	Finish	QTY
1	OMB.8912 Antenna	001212C000021A	Glass Fiber	White	1
2	Cover	000111K000021A	ABS	Silver	1
3	Holder	000311K000021A	Aluminum	Silver	1
4	N Type(F)	201211K000021A	Brass	Ni Plated	1
5	M6 U Type Screw	000411K000021A	Stainless Steel	Silver	1
6	M6 Washer	000411K010021A	Stainless Steel	Silver	1
7	M6 Nut	000411K020021A	Stainless Steel	Silver	1

6. Packaging

Antennas are packed in carton tubes inside PE bags. Mounting components are packed in the separate PE bag inside the tube



Taoglas makes no warranties based on the accuracy or completeness of the contents of this document and reserves the right to make changes to specifications and product descriptions at any time without notice.

Taoglas reserves all rights to this document and the information contained herein. Reproduction, use or disclosure to third parties without express permission is strictly prohibited. Copyright © 2012, Taoglas Ltd.