

rfid enabled



## HF Antenna



▼ OEM HF 13.56 MHz Antenna

### FEATURES:

- Compatible with nearly all 13.56 MHz RFID readers
- Standard SMA connection

### BENEFITS:

- Easy to integrate
- Can extend range of some RFID readers
- OEM Ready

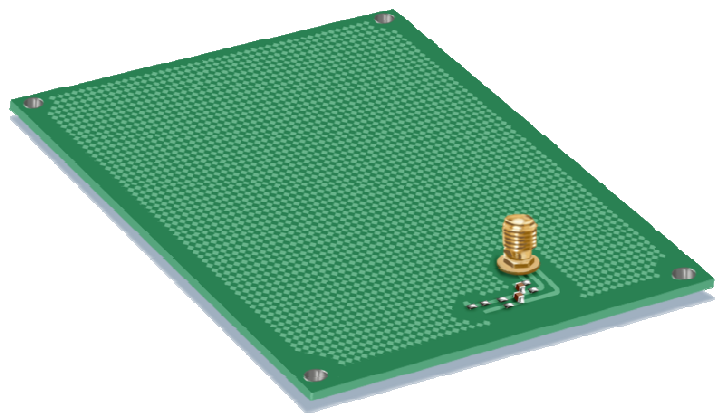
### Product Overview

The Skyetek RFID HF Antenna for OEMs allows you to quickly and cost-effectively supplement your RFID application by adding additional reading points. For RFID systems in the HF frequency band (13.56 MHz), this can save significant development and production costs.

All antennas are equipped with SMA female connectors for easy integration and have 50 Ohms impedance.

### Applications

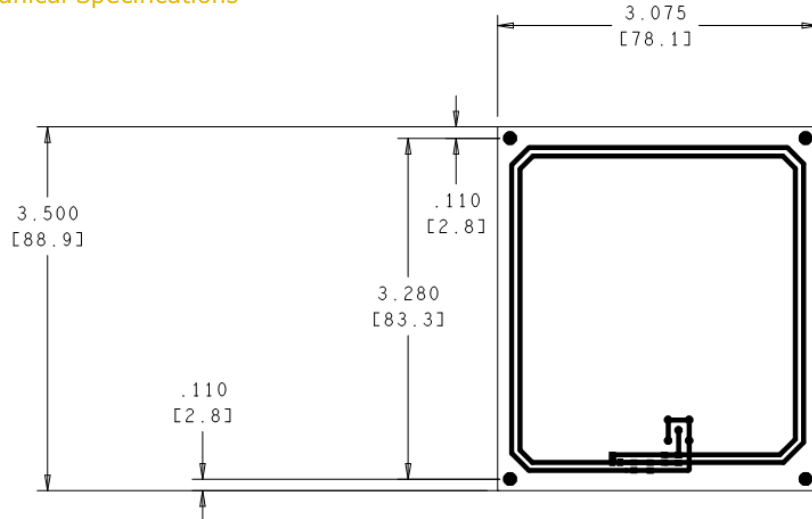
The Skyetek HF Antenna can be used for any OEM applications in which a larger read range needs to be achieved than can be realized with an internal antenna, or any application that uses a multiplexer to connect multiple antennas to one RFID reader.



**About Skyetek:**

Skyetek delivers stand-alone and embedded reader solutions that make RFID work easily, reliably, and economically for enterprises and OEMs. Skyetek offers a complete line of both HF (High Frequency, 13.56 MHz) and UHF (Ultra High Frequency, 860 - 960 MHz) readers that can be used in a multitude of unique applications. Contact Sales today to see how we can make RFID work for your application. Skyetek is a privately held, venture-backed company headquartered in Denver, Colorado, with sales operations in North America, Europe and Asia. For more information, visit [www.skyetek.com](http://www.skyetek.com).

**Mechanical Specifications**



**Operating Frequency**  
13.56 MHz

**RF Output Power**  
1.0 W Max

**Operating Temperature**  
0 to 55°C

**Physical Dimensions**  
Width: 3.075 in (78.1 mm)  
Length: 3.500 in (88.9 mm)  
Height: 0.375 in (9.5mm)

**Connector Type**  
SMA female  
**Impedance**  
50 Ohms

**Storage Temperature**  
-20 to 70°C

**Weight**  
28g

**For more information:**

1525 Market Street, Ste 200  
Denver, Colorado 80202 USA  
ph: 720.328.3425  
[www.skyetek.com](http://www.skyetek.com)

**Other Offerings from Skyetek**

Skyetek provides a variety of reader technology at both 13.56 MHz (HF) and ~900 MHz (UHF). The M1, also part of the SkyeModule HF line, is slightly larger than the M1-Mini and adds 8 GPIO pins and native support for RS232 host interface. ReaderDNA, a comprehensive reference design, is available for component level integration of the technology including complete design files, BOM, and test fixture. ReaderWare, an open-architected software suite residing on all Skyetek's modules, provides intelligence for the RFID reader. The SkyeModule M9 is a low power, compact, UHF reader compatible with EPC and ISO transponders. All SkyeModules are controlled via the Skyetek Protocol, a powerful but simple communication protocol that grants the user access to all features of an RFID transponder. Further, they have been designed with flexible and modular embedded software that allows one to select only the desired features.

