

4

3

2

1

THIS DRAWING IS UNPUBLISHED.

RELEASED FOR PUBLICATION

20

© COPYRIGHT 20

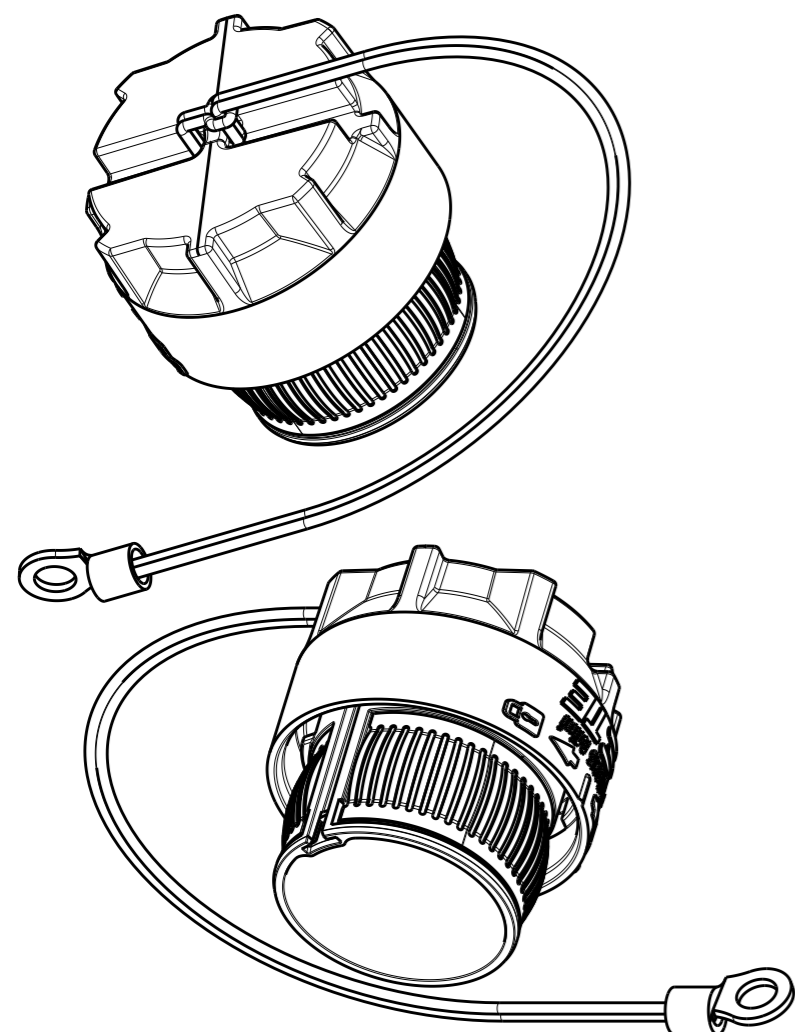
BY -

ALL RIGHTS RESERVED.

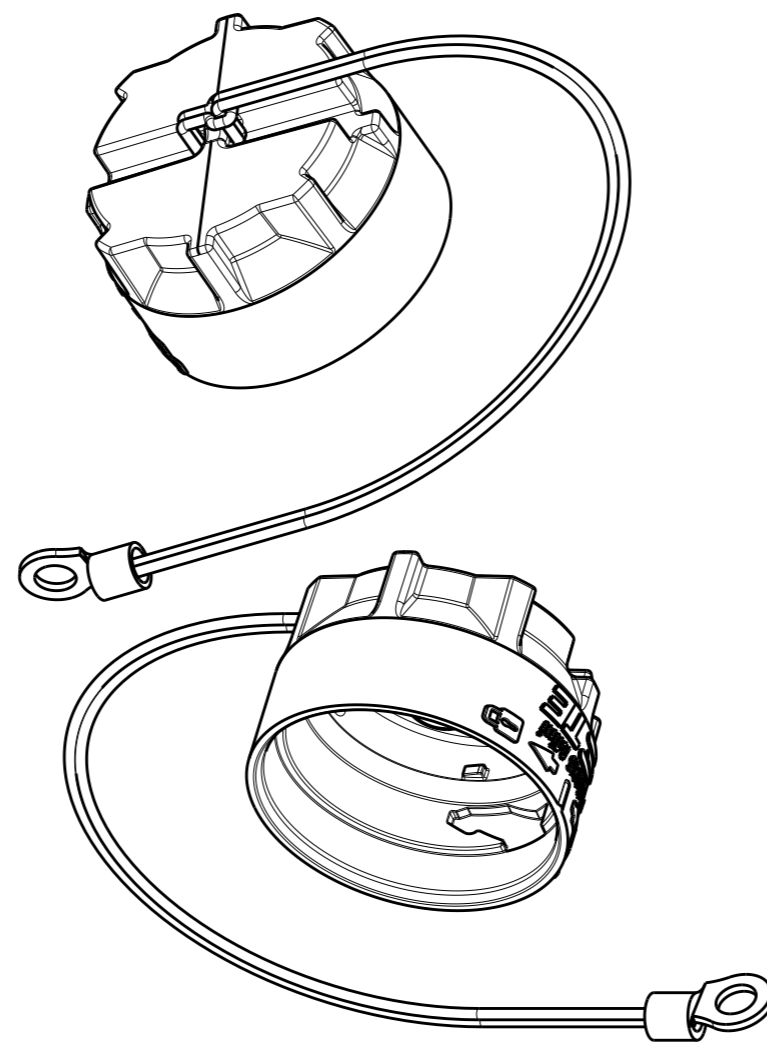
REVISIONS

P	LTR	DESCRIPTION	DATE	DWN	APVD
	2	INITIAL ISSUE	21APR2015	RC	SB

2061953-1 AS SHOWN

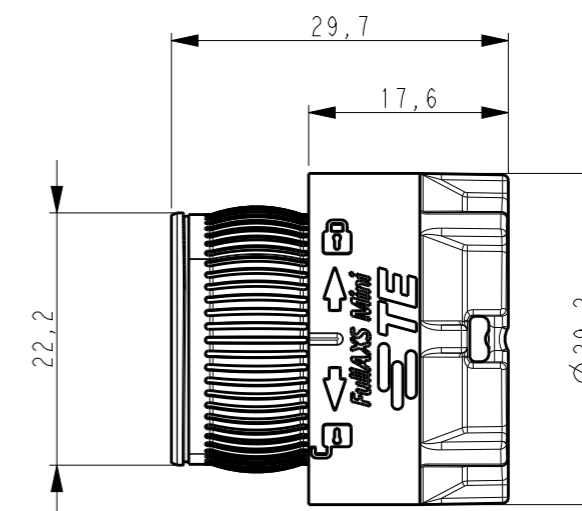
ASSEMBLED FULLAXS MINI  
BULKHEAD CAP WITH EMI SHIELD

2061953-2 AS SHOWN

ASSEMBLED FULLAXS MINI  
BULKHEAD CAP

**PRELIMINARY PART  
NOT RELEASED FOR PRODUCTION**

**THIS PRODUCT HAS NOT COMPLETED  
VALIDATION TESTING**



NOTES:

- PACKAGING:
  - QTY TBD BULKHEADS PLACED INTO A ESD BAG OR TRAY, SEE NOTE 3
  - QTY TBD BAGS OR TRAYS PLACED INTO A SHIPPING BOX, SEE NOTE 3
- INFORMATION ON PACKAGING LABEL:
  - BARCODE
  - UNIQUE TE SERIAL NUMBER
  - TE CONNECTIVITY PART NUMBER & ORDER NUMBER
- FINAL PACKING METHOD AND QUANTITIES STILL TO BE DETERMINED

THIS DRAWING IS A CONTROLLED DOCUMENT.

DWN 24MAR2015

R. COOLEN

CHK -

B. MOOIJ

APVD -

S. BORGAS

PRODUCT SPEC

-

APPLICATION SPEC

-

WEIGHT

-

Customer Drawing

-

-

-

-

-

-

-

24MAR2015

R. COOLEN

CHK -

B. MOOIJ

APVD -

S. BORGAS

PRODUCT SPEC

-

APPLICATION SPEC

-

WEIGHT

-

Customer Drawing

-

-

-

-

-

-

-

PRELIMINARY

FULLAXS MINI BULKHEAD CAP

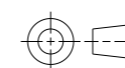
SIZE CAGE CODE DRAWING NO RESTRICTED TO

A3 - C-2061953 -

SCALE 3:2 SHEET 1 OF 1 REV A

DIMENSIONS:

mm

TOLERANCES UNLESS  
OTHERWISE SPECIFIED:

0 PLC	±0,2
1 PLC	±0,1
2 PLC	±0,05
3 PLC	±0,025
4 PLC	±0,005
ANGLES	±2°

MATERIAL

-

-

-

-

-

FINISH

-

-

-

-

-