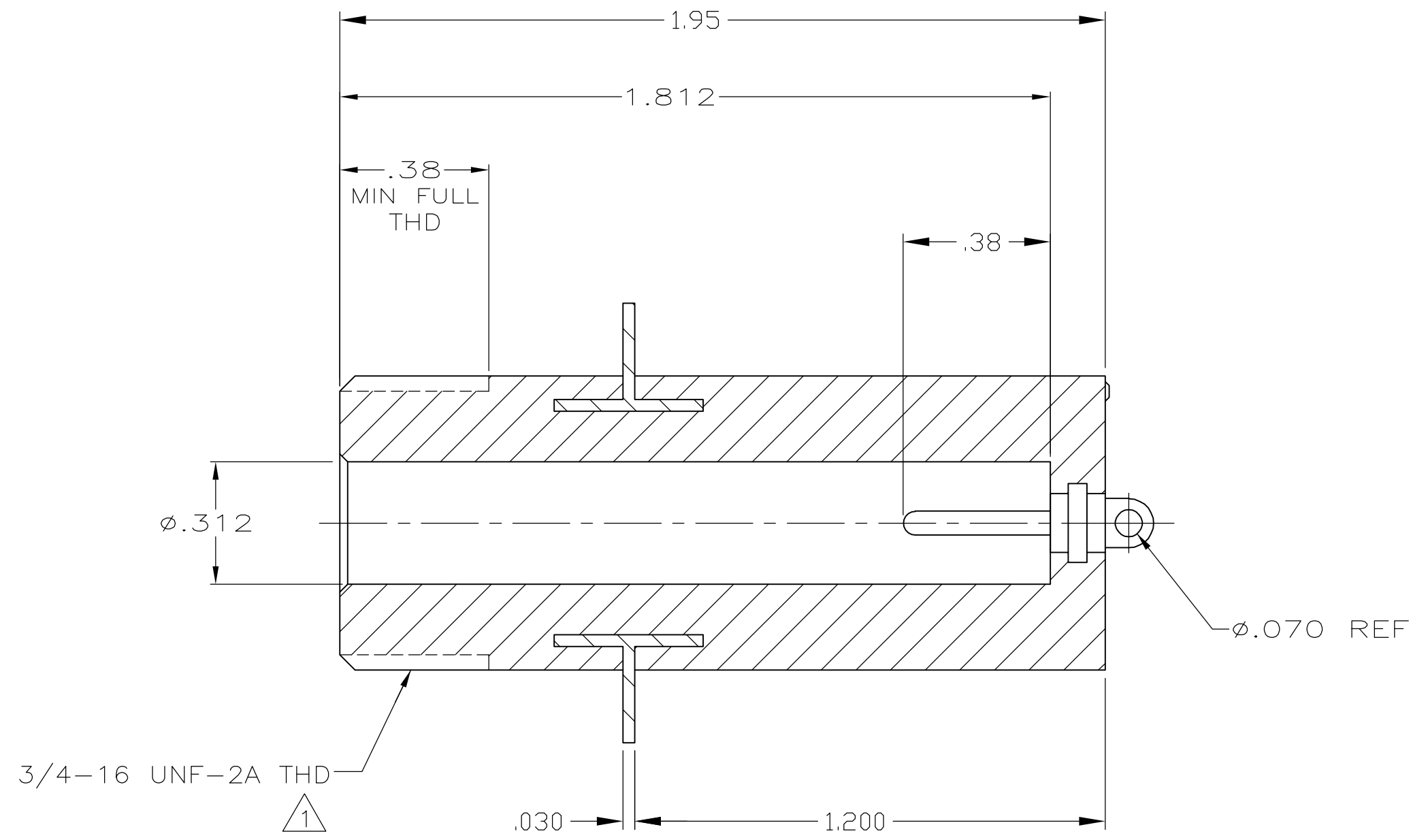
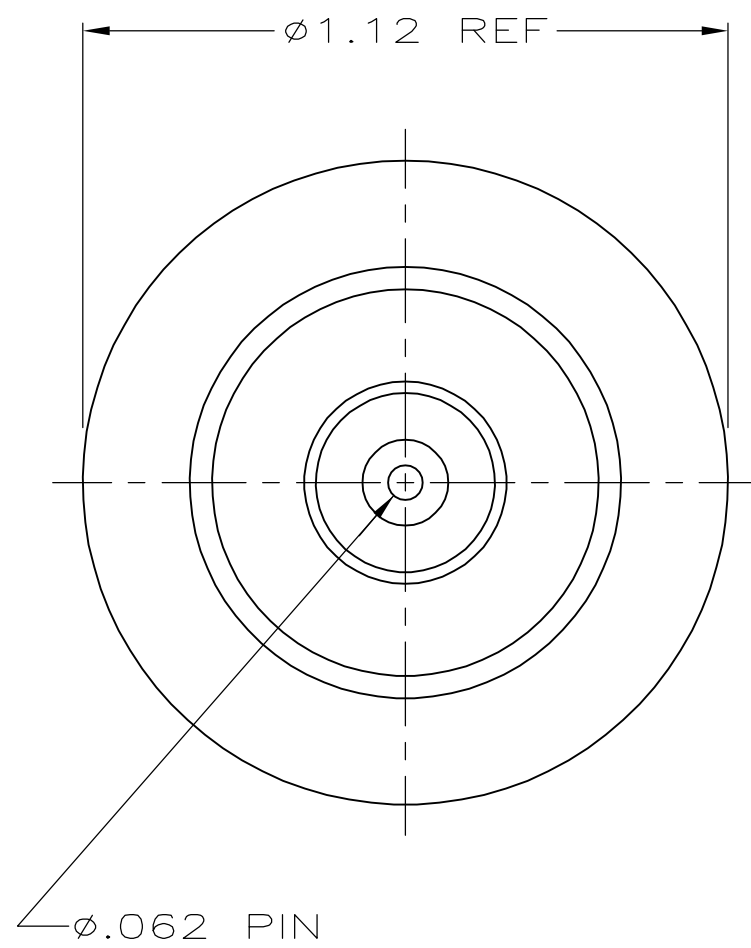


THIS DRAWING IS UNPUBLISHED. RELEASED FOR PUBLICATION  
 © COPYRIGHT BY TYCO ELECTRONICS CORPORATION. ALL RIGHTS RESERVED.

LOC	DIST	REVISIONS			
P	LTR	DESCRIPTION	DATE	DWN	APVD
DF	S0	F	REV PER ECO 06-16414	7-14-06	CT DE



- 1. SCREW THREAD MEASUREMENT IN ACCORDANCE WITH H28 HANDBOOK (3 WIRE METHOD) USING WIRE .03608 DIA MEASUREMENT OVER WIRE SHALL BE .7654/.7474
- 2. THIS RECEPTACLE IS HERMETICALLY SEALED.
- 3. MARKED PER MIL-STD-130.

TIN PLATED	5-861257-1
TIN-LEAD PLATED	861257-1
PIN & FLANGE FINISH	PART NO.

THIS DRAWING IS A CONTROLLED DOCUMENT.		DWN	7-14-06	<b>AMP</b> Tyco Electronics Corporation Harrisburg, PA 17105-3608
DIMENSIONS: INCHES		CHK	7-14-06	
TOLERANCES UNLESS OTHERWISE SPECIFIED:		APVD	7-14-06	
0 PLC ± - 1 PLC ± - 2 PLC ± .01 3 PLC ± .005 4 PLC ± - ANGLES ± 1°		PRODUCT SPEC		
MATERIAL: MOLDED GLASS EPOXY		FINISH	SEE TABLE	NAME: FLANGED RECEPTACLE, LGH-3
CUSTOMER DRAWING		WEIGHT	-	SIZE: A2
		SCALE	3:1	CAGE CODE: 00779
		SHEET	1 of 1	DRAWING NO: 861257
		REV	F	RESTRICTED TO: -