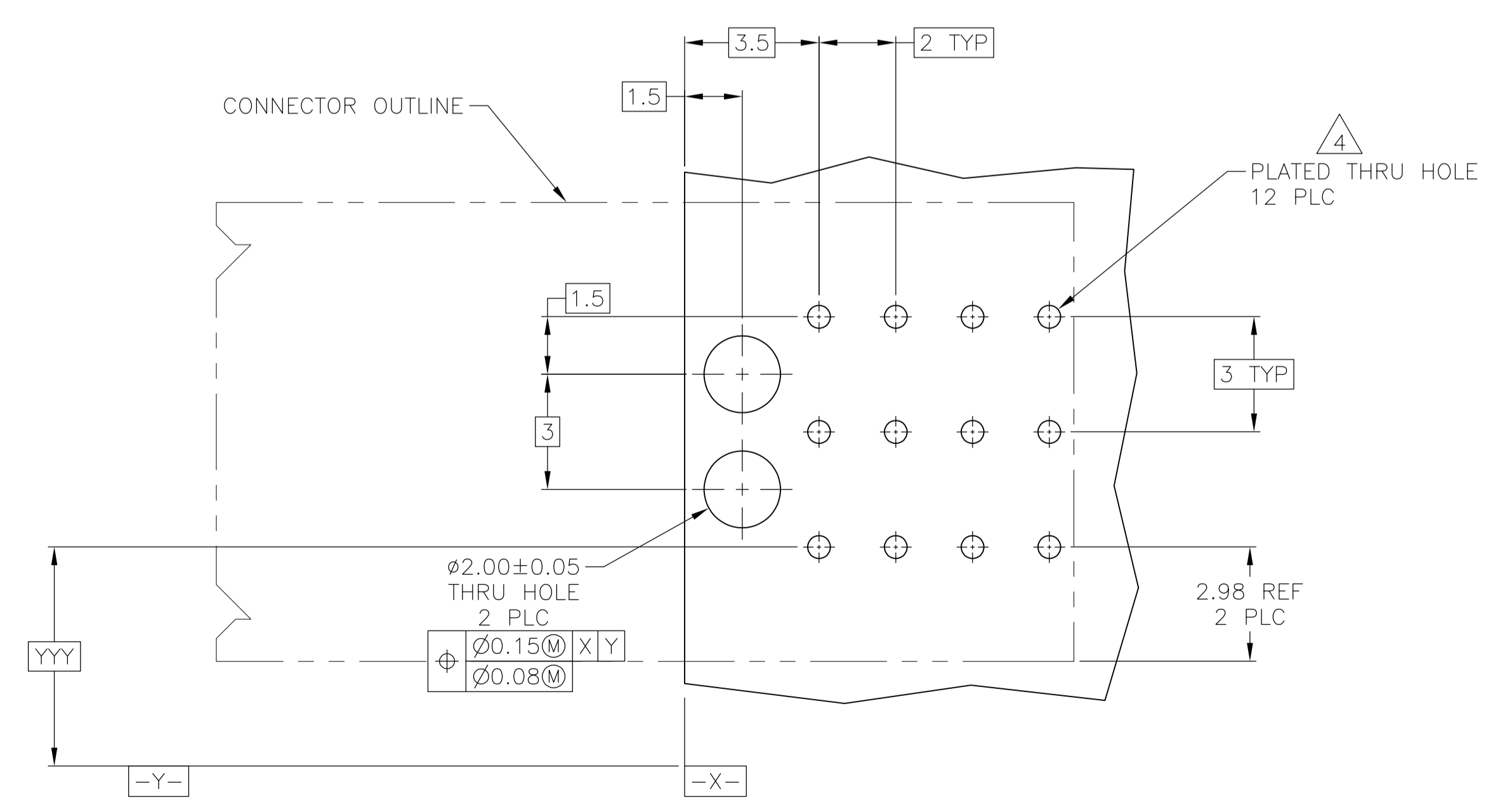
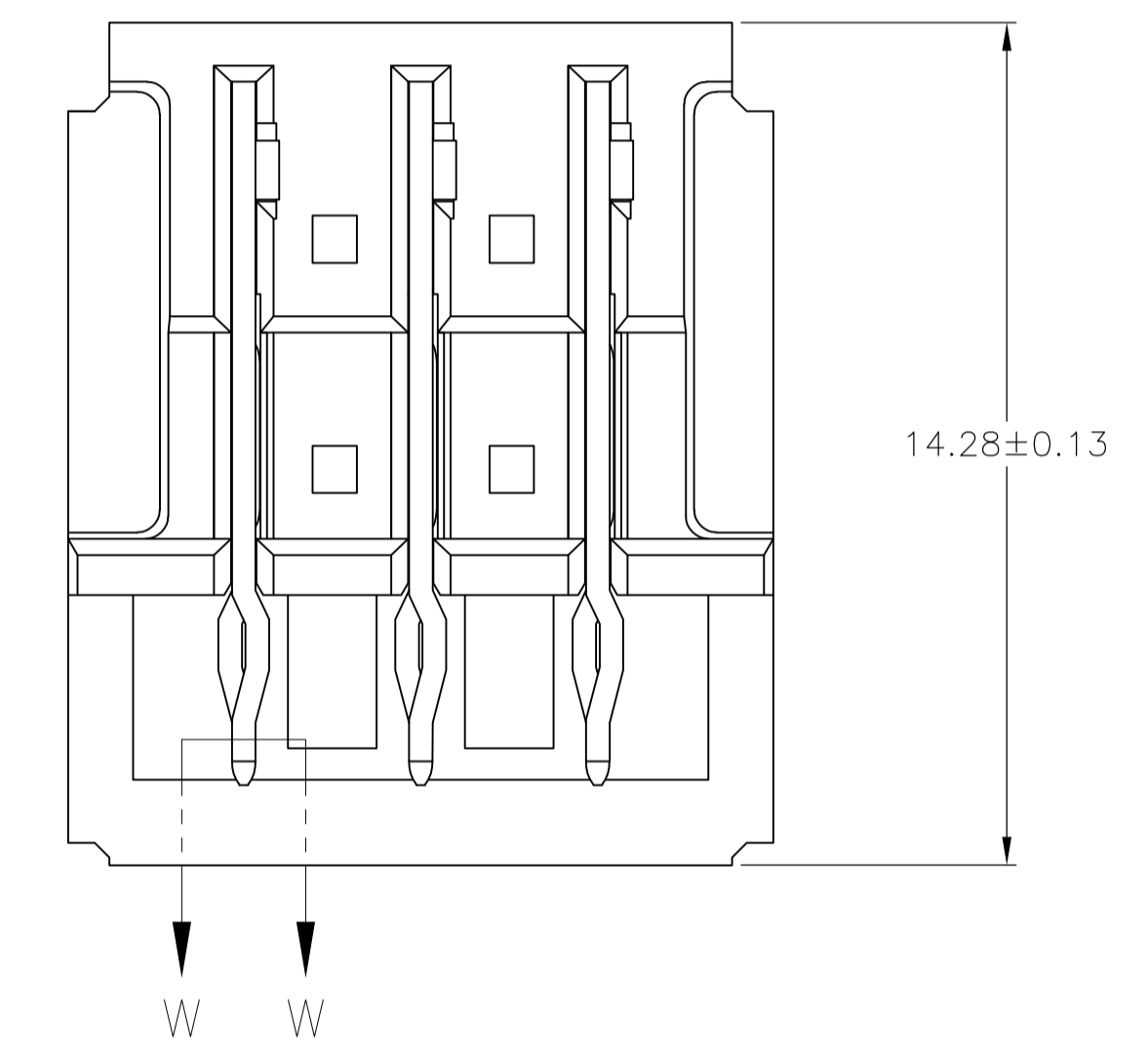


- 1 HOUSING: POLYESTER, GRAY.
CONTACT: PHOSPHOR BRONZE.
- 2 CONTACT: MATING AREA: 1.27µm MIN GOLD PLATE,
ACTION PIN AREA: 0.5µm MIN TIN PLATE,
ALL OVER 1.27µm MIN NICKEL UNDERPLATE.
- 3 CONTACT LUBRICATION WITH BELCORE APPROVED
LUBRICANT. TECHNICAL REFERENCE: TR-NWT-001217
ISSUE 1, SEPT 1992.
- 4 REFERENCE APPLICATION SPEC 114-1103 FOR
RECOMMENDED PLATED THRU HOLE DIAMETER AND
PLATING THICKNESS.



RECOMMENDED PCB HOLE LAYOUT

SECTION W-W
SCALE 40:1

2/3	B & C	A	3	5120938-1																																
FINISH	POSITIONS LOADED WITH 10,90 REF CONTACTS	POSITIONS LOADED WITH 7,68 REF CONTACTS	NO OF LOADED POSITIONS	PART NUMBER																																
THIS DRAWING IS A CONTROLLED DOCUMENT.		Tyco Electronics Corporation Harrisburg, PA 17105-3608																																		
DIMENSIONS: mm		TOLERANCES UNLESS OTHERWISE SPECIFIED:																																		
<table border="1"> <tr><td>0 PLC</td><td>± -</td></tr> <tr><td>1 PLC</td><td>± -</td></tr> <tr><td>2 PLC</td><td>± 0.13</td></tr> <tr><td>3 PLC</td><td>± -</td></tr> <tr><td>4 PLC</td><td>± -</td></tr> <tr><td>ANGLES</td><td>± -</td></tr> </table>		0 PLC	± -	1 PLC	± -	2 PLC	± 0.13	3 PLC	± -	4 PLC	± -	ANGLES	± -	<table border="1"> <tr><td>APPROVED</td><td>R. PATTERSON</td><td>100EC04</td><td>NAME</td></tr> <tr><td>DESIGNED</td><td>R. PATTERSON</td><td>100EC04</td><td>PRODUCT SPEC</td></tr> <tr><td>APPLICATION SPEC</td><td></td><td></td><td></td></tr> <tr><td>SIZE</td><td>CAGE CODE</td><td>DRAWING NO</td><td>RESTRICTED TO</td></tr> <tr><td>WEIGHT</td><td></td><td>A1 00779 C=5120938</td><td></td></tr> </table>			APPROVED	R. PATTERSON	100EC04	NAME	DESIGNED	R. PATTERSON	100EC04	PRODUCT SPEC	APPLICATION SPEC				SIZE	CAGE CODE	DRAWING NO	RESTRICTED TO	WEIGHT		A1 00779 C=5120938	
0 PLC	± -																																			
1 PLC	± -																																			
2 PLC	± 0.13																																			
3 PLC	± -																																			
4 PLC	± -																																			
ANGLES	± -																																			
APPROVED	R. PATTERSON	100EC04	NAME																																	
DESIGNED	R. PATTERSON	100EC04	PRODUCT SPEC																																	
APPLICATION SPEC																																				
SIZE	CAGE CODE	DRAWING NO	RESTRICTED TO																																	
WEIGHT		A1 00779 C=5120938																																		
MATERIAL: 1		FINISH: 2/3																																		
CUSTOMER DRAWING		SCALE: 8:1 SHEET: 1 OF 1 REV: B																																		