
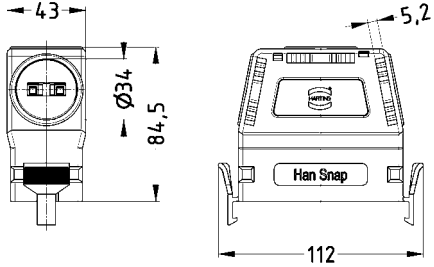

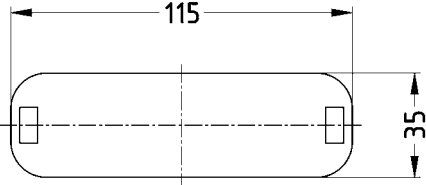

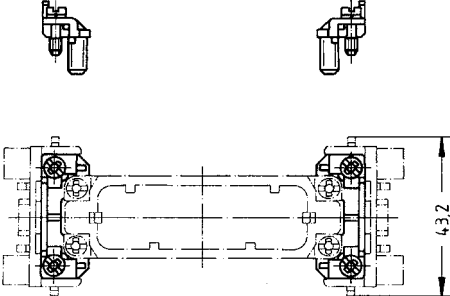


Identification	Part number	Drawing Dimensions in mm
<p>Han-Snap®, Plastic housings</p> <p>Range of delivery: 2 half shells with blind plugs</p> 	<p>09 33 016 0401</p>	
<p>Han-Snap®, Protection cover, plastic</p> 	<p>09 33 016 5401</p>	
<p>Han A®, Adapter</p> <p>Range of delivery: 2 adapters, 4 fixing screws</p> 	<p>09 20 000 9933</p>	

Han-Snap