

THIS DRAWING IS UNPUBLISHED.

RELEASED FOR PUBLICATION

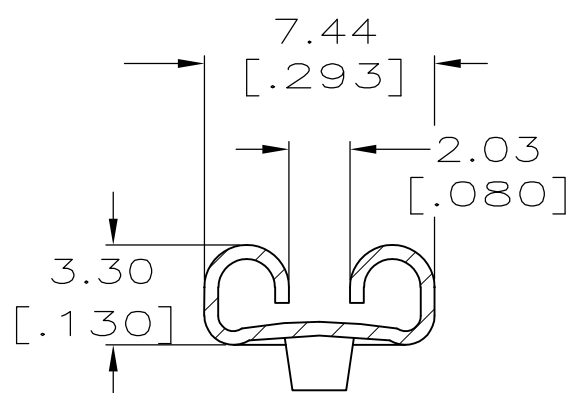
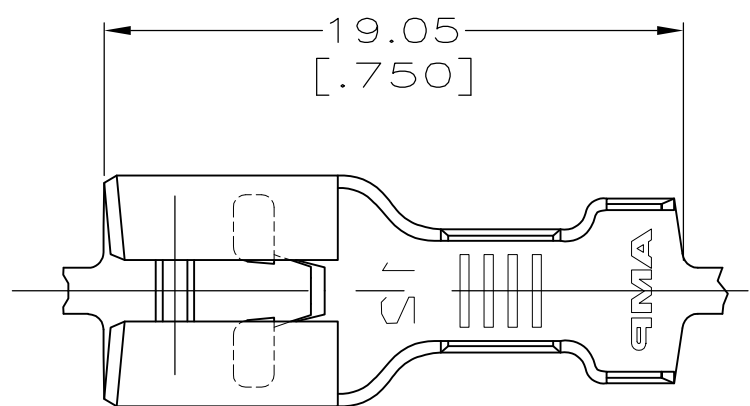
ALL RIGHTS RESERVED.

LOC AF DIST 50

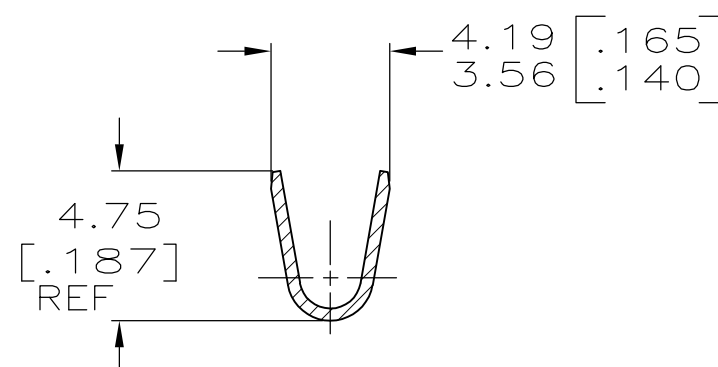
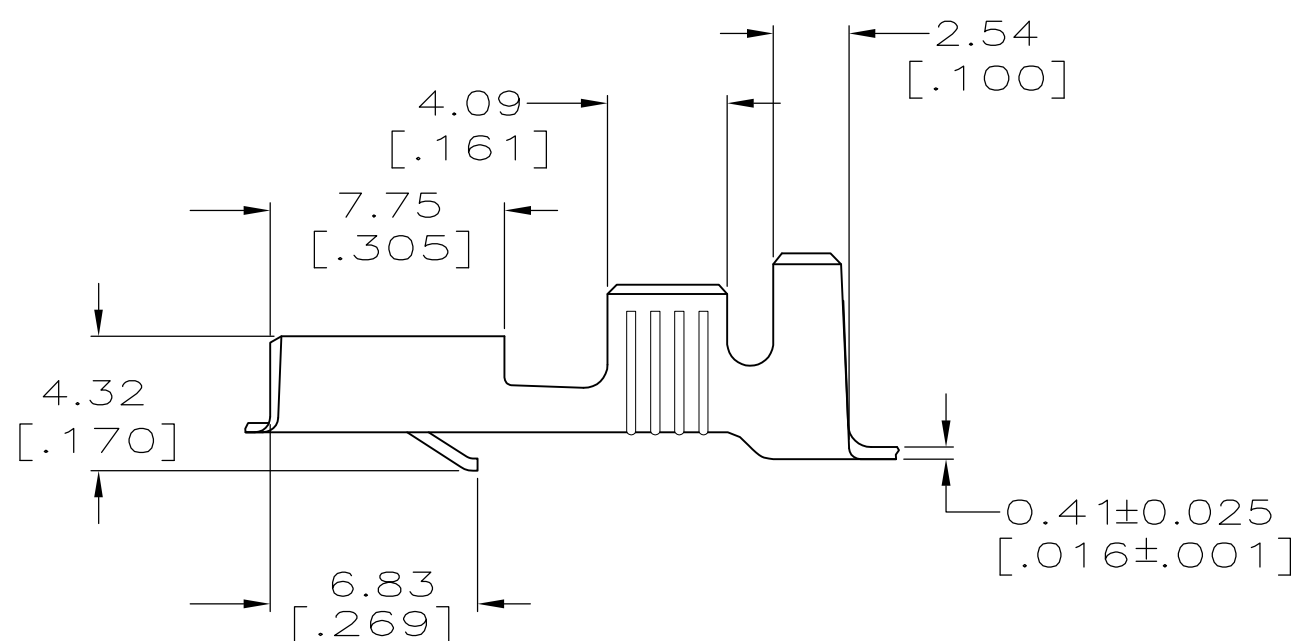
REVISIONS

P	LTR	DESCRIPTION	DATE	DWN	APVD
C		REVISED PER ECR-11-018063	26DEC11	KH	PD

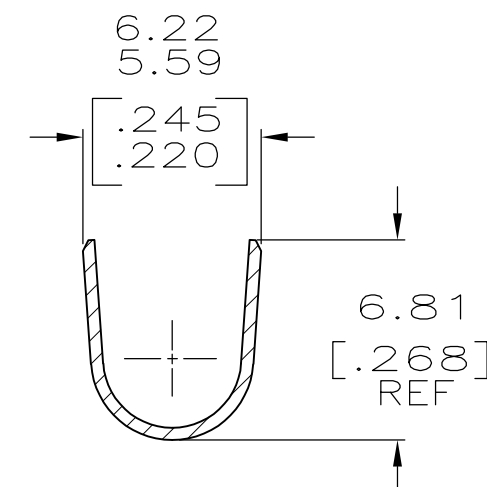
- 1 CONTINUOUS STRIP ON REELS.
- 2 WIRE SIZES [#16-#12] AWG.
- 3 INSULATION DIA IS 3.81-4.83 [.150-.190] DIA.
- 4 MATING TAB THK IS 0.81±0.025 [.032±.001].



SECTION A-A


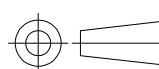


SECTION B-B



SECTION C-C

62891-1
PART NO.

THIS DRAWING IS A CONTROLLED DOCUMENT.		DWN JR RUTH 1/29/98	 TE Connectivity					
DIMENSIONS: mm [INCHES]		CHK P FORTNEY 1/29/98				NAME		
TOLERANCES UNLESS OTHERWISE SPECIFIED: 0 PLC ± - 1 PLC ± - 2 PLC ± 0.38 [.015] 3 PLC ± - 4 PLC ± - ANGLES ± -		APVD J GILLESPIE 1/29/98	RECEPTACLE, FASTIN-FASTON, 6.35 [.250] SERIES					
		PRODUCT SPEC -	APPLICATION SPEC -	SIZE A3	CAGE CODE 00779	DRAWING NO C-62891	RESTRICTED TO -	
MATERIAL H04 BRASS		FINISH TIN	WEIGHT -	CUSTOMER DRAWING		SCALE 4:1	SHEET 1 OF 1	REV C