

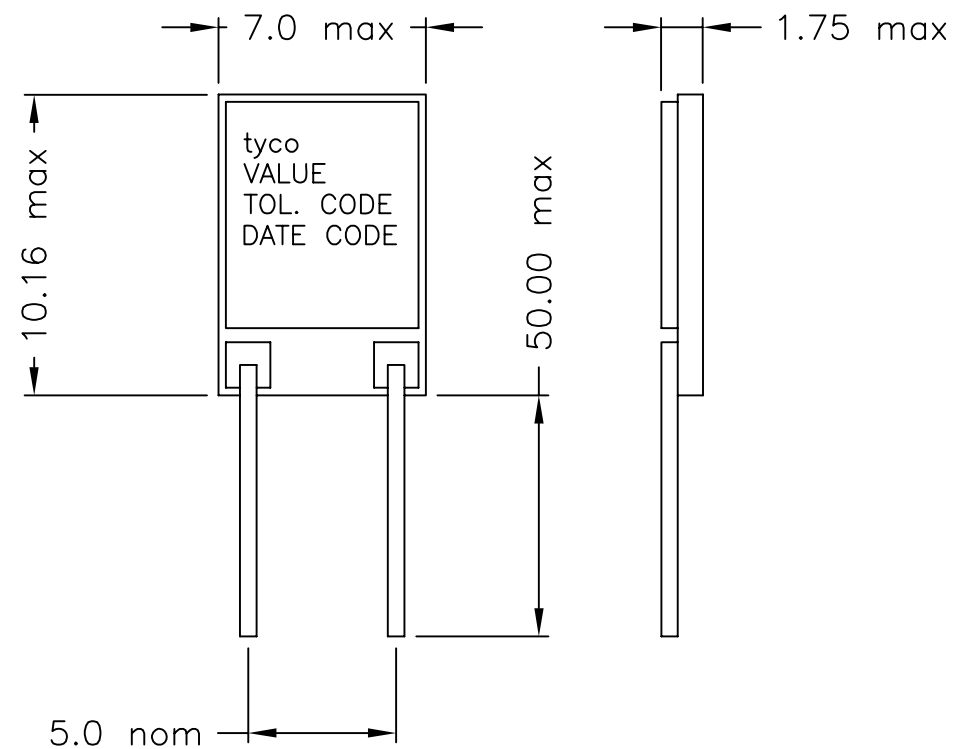
THIS DRAWING IS UNPUBLISHED.

RELEASED FOR PUBLICATION

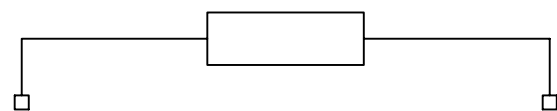
NOV ,2005.

© COPYRIGHT 2005 BY TYCO ELECTRONICS CORPORATION. ALL RIGHTS RESERVED.

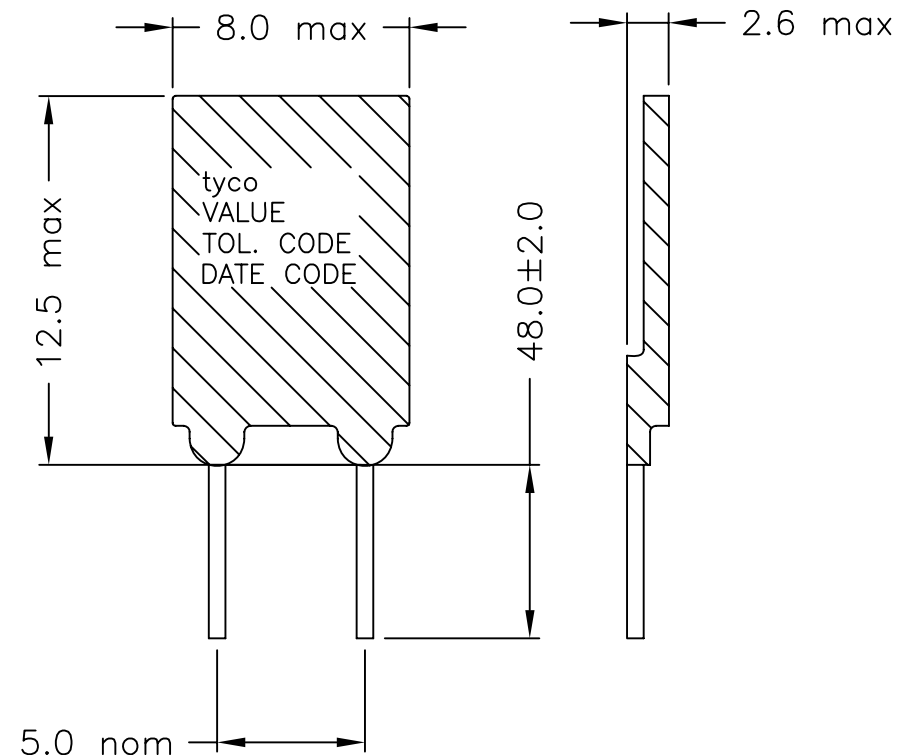
LOC	DIST	REVISIONS					
		P	LTR	DESCRIPTION	DATE	DWN	APVD
E	B		C	ECR-06-002357	30JAN06	DK	JC



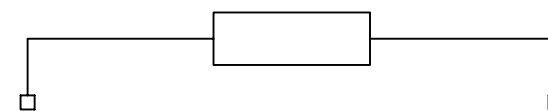
DESCRIPTION: THICK FILM RESISTOR  
 LEAD MATERIAL: 0.56 DIA T.C.W.  
 HYBRID PROTECTION: SCREEN PRINTED SILICONE COATING  
 MARKING: AS SHOWN (TO NON RESISTOR FACE)



RATED DISSIPATION - AT 20°C 0.8W\*  
 - AT 70°C 0.4W  
 OHMIC RANGE 1K - 100K  
 MAX WORKING VOLTAGE 240V DC  
 TCR 20 - 70°C ±300ppm/°C  
 VCR 100 - 1000V DC ΔR<3%  
 STABILITY - 100h AT 20°C 0.8W ΔR<2%



DESCRIPTION: THICK FILM HV. RESISTOR  
 LEAD MATERIAL: 0.56 DIA T.C.W.  
 HYBRID PROTECTION: CONFORMAL EPOXY COATING  
 MARKING: AS SHOWN (TO NON RESISTOR FACE)



RATED DISSIPATION - AT 20°C 0.8W\*  
 - AT 70°C 0.4W  
 OHMIC RANGE 1K - 120M\*  
 MAX WORKING VOLTAGE 1000V DC  
 TCR 20 - 70°C ±300ppm/°C  
 VCR 100 - 1000V DC ΔR<3%  
 STABILITY - 100h AT 20°C 0.8W ΔR<2%

\* NOTE: CRITICAL VALUE IS 1.25M. MAX VOLTS AT 1K IS 280V DC

RoHS Compliant

FOR A SPECIFIC PN FOR A RESISTANCE VALUE AND TOLERANCE, PLEASE REFER TO DMF.

THIS DRAWING IS A CONTROLLED DOCUMENT.		DWN DAVE KENNEDY 01NOV2005	 Tyco Electronics Corporation Dorcan, Swindon, SN3 5HH												
DIMENSIONS: MM		CHK J CATCHPOLE 02NOC05	NAME HBA SERIES RESISTOR												
TOLERANCES UNLESS OTHERWISE SPECIFIED:		APVD J CATCHPOLE 02NOV05	PRODUCT SPEC												
<table border="0"> <tr><td>0 PLC</td><td>± -</td></tr> <tr><td>1 PLC</td><td>± -</td></tr> <tr><td>2 PLC</td><td>± -</td></tr> <tr><td>3 PLC</td><td>± -</td></tr> <tr><td>4 PLC</td><td>± -</td></tr> <tr><td>ANGLES</td><td>± -</td></tr> </table>		0 PLC	± -	1 PLC	± -	2 PLC	± -	3 PLC	± -	4 PLC	± -	ANGLES	± -	APPLICATION SPEC	
0 PLC	± -														
1 PLC	± -														
2 PLC	± -														
3 PLC	± -														
4 PLC	± -														
ANGLES	± -														
MATERIAL	FINISH	WEIGHT	SIZE A3	CAGE CODE 00779											
		DRAWING NO C-1625960		RESTRICTED TO											
CUSTOMER DRAWING			SCALE NTS	SHEET 1 OF 1											
			REV C												