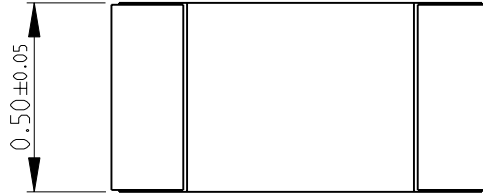
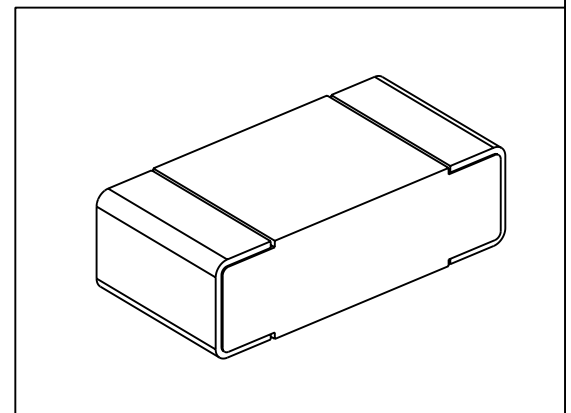


LOC	DIST	REVISIONS			
P	LTR	DESCRIPTION	DATE	DWN	APVD
E	B	BA1	REVISED PER ECO-11-005150	29MAR2011	RK HMR

FOR FURTHER INFORMATION SEE DATA SHEET FOR
CPF SERIES-THIN FILM PRECISION CHIP RESISTORS



RoHS Compliant



2008


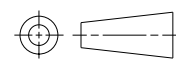
RELEASED FOR PUBLICATION

ALL RIGHTS RESERVED.

BY -

© COPYRIGHT 2008

THIS DRAWING IS UNPUBLISHED.

DIMENSIONS: mm	DWN	27-Sep-08	MATERIAL	-	FINISH	-
	CHK	27-Sep-08	 TE Connectivity			
TOLERANCES UNLESS OTHERWISE SPECIFIED:	APVD	27-Sep-08				
	0 PLC	± 0.2	NAME	THIN FILM PRECISION CHIP RESISTORS		
1 PLC	± 0.1	PRODUCT SPEC	SERIES CPF 0402			
2 PLC	± -	APPLICATION SPEC	SIZE	CAGE CODE	DRAWING NO	RESTRICTED TO
3 PLC	± -	WEIGHT	A 4	00779	©- 1879208	-
4 PLC	± -	CUSTOMER DRAWING	SCALE		50:1	SHEET 1 OF 1
ANGLES ± 5°			REV		BA1	