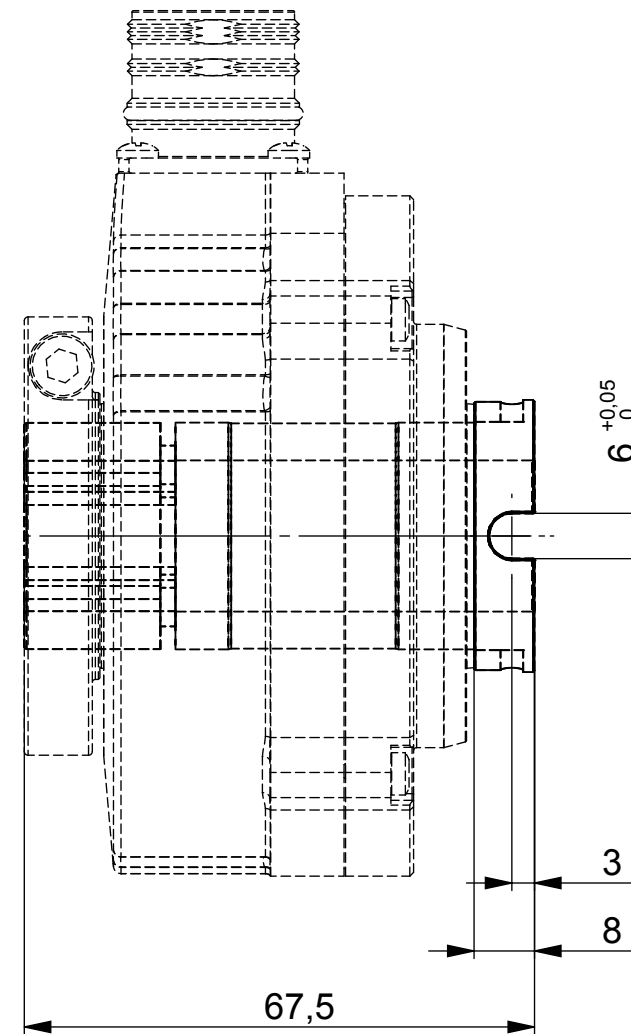
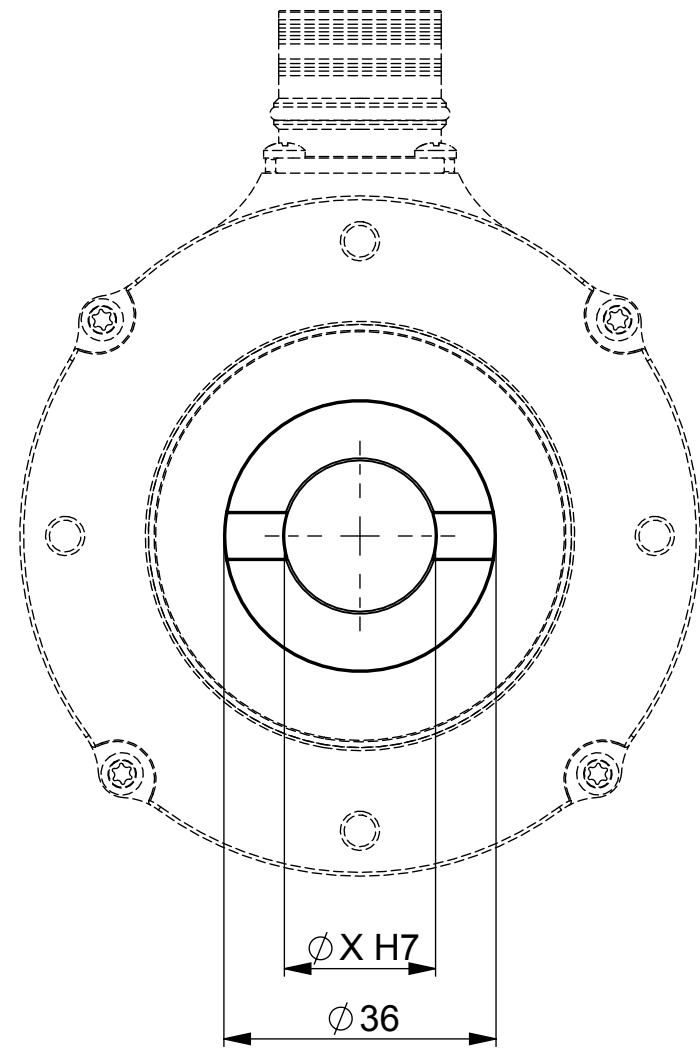


4

3

2

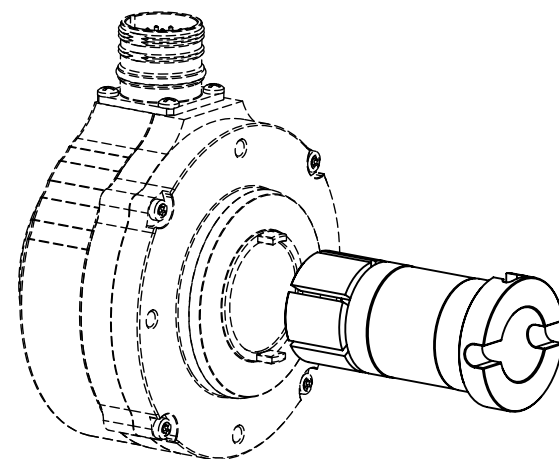
1




**Functional Safety Product -TÜV certified -**

Toute modification est soumise à l'approbation du FSM

All modifications must be approved by the  
Functional Safety Manager (FSM)



Ordering reference: **9418/S20** for X=20mm  
**9418/S25** for X=25mm  
**9418/S25.4** for X=25.4mm

<b>UNCONTROLLED COPY</b>		 BEI Sensors	
FIRST ISSUE DATE : 28/03/2018 DRAWN : RHM APPROVED : JHH DATE : 28/03/2018	SENSATA TECHNOLOGIES PROPRIETARY AND CONFIDENTIAL. NEITHER THIS PRINT NOR THE INFORMATION CONTAINED HEREON IS TO BE USED AGAINST THE INTERESTS OF SENSATA TECHNOLOGIES OR AGAINST THE INTERESTS OF ANY OF ITS AFFILIATED COMPANIES OR WHOLLY OWNED SUBSIDIARIES.	BEI SENSORS SAS Espace Européen de l'Entreprise 9, rue de Copenhague BP 70044 - F 67013 STRASBOURG Cedex Tel : +33 (0)3 88 20 81 40	
ECN : . DATE :	UNLESS OTHERWISE SPECIFIED DIMENSIONS ARE IN MILLIMETERS (INCHES) AND ARE INTENDED AS NOMINAL. SEE PRODUCT SPECIFICATION FOR MORE DETAILS.	TITLE <b>DSU9 Reduction sleeve</b>	
Housing material : Flange material : Sleeve material : Peek	DO NOT SCALE DRAWING	EUROPEAN SYSTEM	SIZE A3 DWG NO. <b>M015</b> SCALE 1/1 SHEET 1 OF 1

DEVICE:

PROJECT:

4

3

2

1