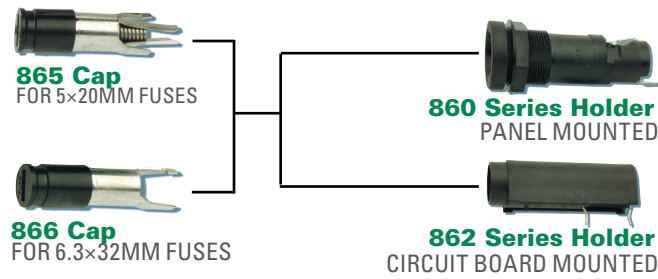




860/862 Series Enclosed Fuse Holders for 5×20mm and 6.2×32mm Fuses



Agency Approval

Agency	Agency File Number	
	860 Series	862 Series
	40003287	136720 UG
	E70164	E70164

Additional Information



Datasheet
860 Series



Resources
860 Series



Samples
860 Series



Datasheet
862 Series



Resources
862 Series



Samples
862 Series

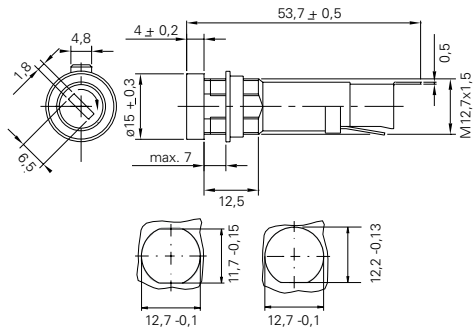
Product Characteristics

	860 Series	862 Series
Compatible Fuses	5×20mm 6.3×32mm	
Materials	Holder/Cap: Black Thermoplastic, UL 94V0 Metal Parts: Copper alloy, corrosion protected Terminals: Solderable tinned	
Electrical Data (23°C)	Rated Voltage: 250V Rated Current: 10A (VDE) 16A (CSA) 20A (UL) Rated Power: 4.0W (VDE)	
Mounting	12.7mm diameter D-hole or double D-hole Admissible torque on plastic hex nut is 1.2Nm	Rated Current: 10A (VDE) 16A (UL/CSA) Rated Power: 862/865: 2.5W (VDE) 862/866: 3.2W (VDE)
Terminals	Solderable or 4.8mm quick connect-fits 0.5mm tab	Solderable tinned
Protection Class & Category	IP 40 (IEC 60529) PC2 (IEC 60127-6)	IP 40 (IEC 60529) PC2 (IEC 60127-6)
Operating Temperature	-40°C to +85°C	
Climatic Test	-40°C/+85°C/21 days (IEC 60068-2-1...3)	
Stock Conditions	+10°C to +60°C relative humidity ≤ 75% yearly average, without dew, maximum value for 30 days - 95%	
Vibration Resistance	24 cycles at 15 min. each (IEC 60068-2-6) 10 - 60Hz at 0.75mm amplitude 60 - 500Hz at 10g acceleration	
Contact Resistance	≤ 5mΩ	
Impulse Voltage	4 kV, 50Hz, 1 min., dry	
Insulation Resistance	> 10 ⁹ MΩ (500VDC, 1 min.)	
Solderability	235°C, 2 sec. (Wave) 350°C, 1 sec. (Soldering Iron)	
Soldering Heat Resistance	350°C, 5 sec. (IEC 60068-2-20)	
Minimum Cross Section	Conductor - 2.5mm ²	Conducting path - 0.2mm ²
Marking	860, 250V, Approvals	862, 250V, Approvals
Unit Weight	5.3g (860) / 5.6g (862) / 3.3g (865) / 2.5g (866)	

Dimensions

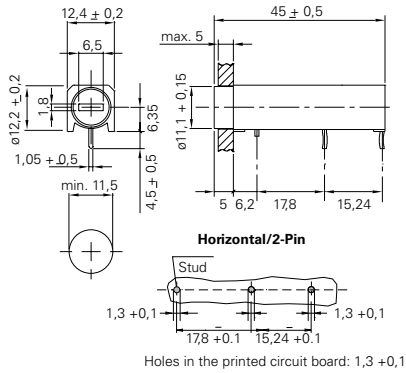
Panel Mount, Shocksafe 5x20mm/ 6.3x32mm Fuses

860 Series



Panel Alternatives

862 Series

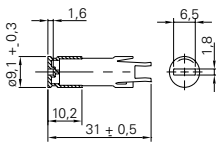


Horizontal/2-Pin

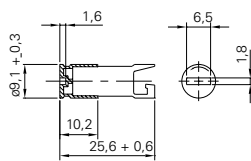
Stud

Holes in the printed circuit board: 1.3 ± 0.1

865 Cap



866 Cap



Ordering Information

Description	Ordering Number	Packaging
Cap, 5x20 mm	865 0000 1009	Bulk 100
Cap, 2x25 mm	866 0000 1009	Bulk 100
860 Series Holder	860 0000 1009	Bulk 100
862 Series Holder	862 0000 1009	Bulk 100
865 Series Holder	865 0000 1009	Bulk 100
866 Series Holder	866 0000 1009	Bulk 100