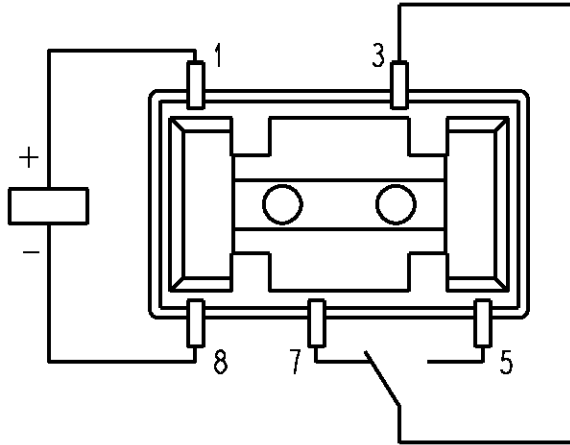
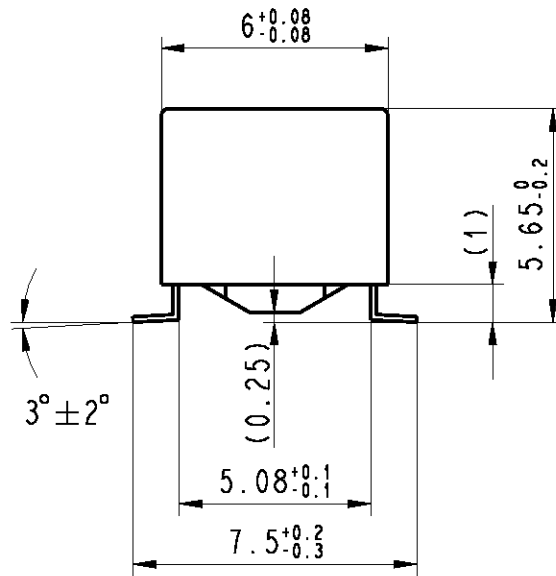
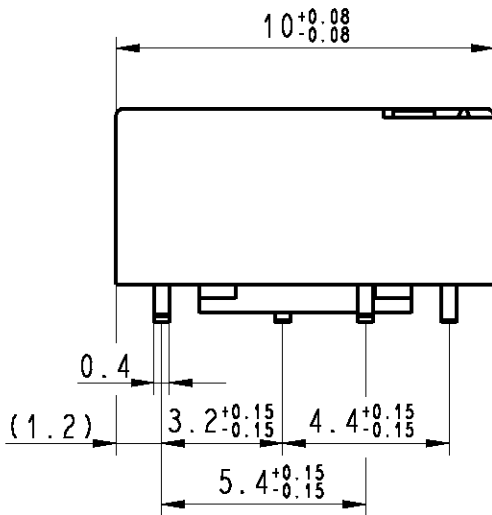


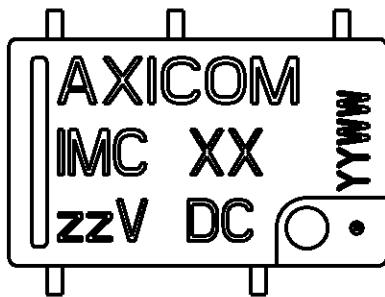
LOC	DIST	REVISIONS				
P	LTR	DESCRIPTION	DATE	DWN	APVD	
HJ	-	A2	REVISED PER ECO-11-005150	25MAR11	RK	HMR



Relay - bottom view



Coplanarity < 0.10mm



XX = Relay type
 zz = nominal voltage
 YYWW = Date code

THIS DRAWING IS UNPUBLISHED.

ALL RIGHTS RESERVED.

COPYRIGHT BY -

DRAWING ALIAS	
---------------	--

DIMENSIONS: mm	DWN BD 9199	01 Jul 2008	MATERIAL	-	FINISH	-
	CHK UK 9193	01 Jul 2008				
TOLERANCES UNLESS OTHERWISE SPECIFIED: DIN 7168-m	APVD HD 9121	01 Jul 2008				
0 PLC ±	PRODUCT SPEC	-	NAME IMC-Relay SMT Gull Wings (1CO) Dimensions			
1 PLC ±	APPLICATION SPEC	-	SIZE	CAGE CODE	DRAWING NO	RESTRICTED TO
2 PLC ±			A 4	00779	C-1462042-2	-
3 PLC ±	WEIGHT	-	CUSTOMER DRAWING			
4 PLC ±			SCALE	5:1	SHEET	1 OF 1
ANGLES ±						REV A2