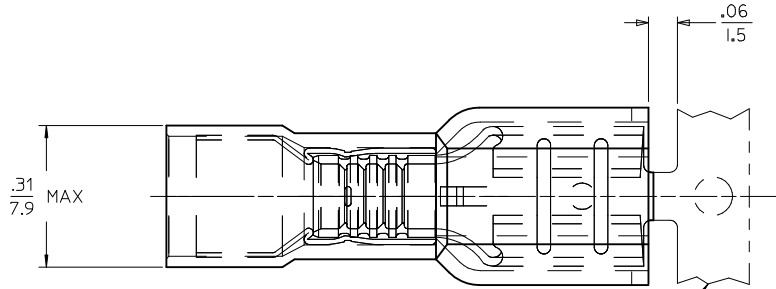
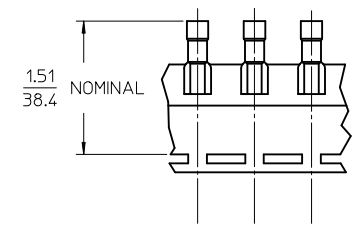


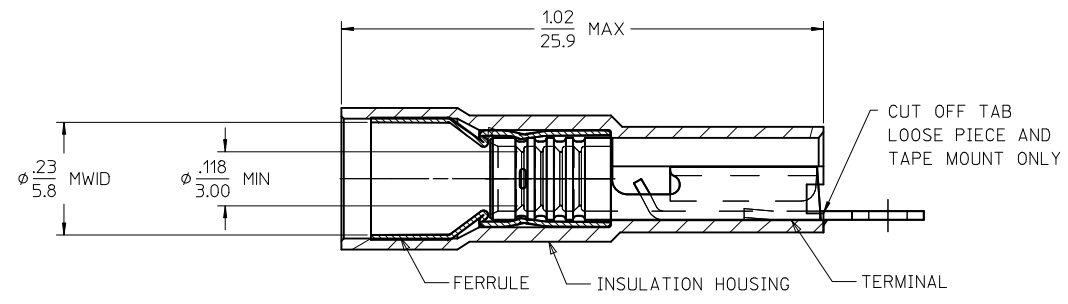
MATERIAL NO.	ENGINEERING P/N	CARRIER STYLE
196060004	C-5293Z	METAL STRIP
196060005	C-5293	LOOSE PIECE
196060006	C-5293T	TAPE MOUNT



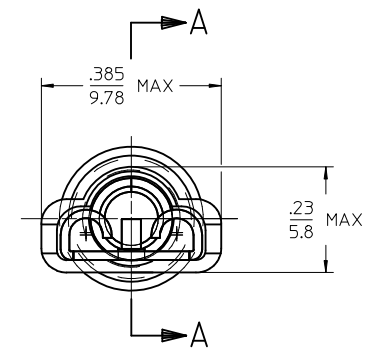
METAL CARRIER STRIP,
METAL STRIP PARTS ONLY



PARTS ON TAPE
SCALE: NONE



SECTION A-A



NOTES:

- MATERIALS:
HOUSING: 94V-2 NYLON, YELLOW
TERMINAL: BRASS, .018/0.46 THICK REF., MATTE TIN PLATED
FERRULE: COPPER ALLOY, MATTE TIN PLATED
- ACCEPTS TAB SIZE .250 x .032 (6.35 x 0.81).
- MWID = MAXIMUM WIRE INSULATION DIAMETER.
- PARTS ARE ROHS COMPLIANT.

RLS: FERRULE MATL EC NO: MNA2010-0610 DRW: ETHRODAHL 2010/03/31 CHKD: JMACNEIL 2010/03/31 APPR: JMACNEIL 2010/04/12	QUALITY SYMBOLS ▽=0 ▽=0	GENERAL TOLERANCES (UNLESS SPECIFIED)		DIMENSION STYLE IN/MM	SCALE 5:1	DESIGN UNITS INCH	THIRD ANGLE PROJECTION
		4 PLACES ± --- ± --- 3 PLACES ± --- ± --- 2 PLACES ± --- ± --- 1 PLACE ± --- ± --- ANGULAR ±1/2°	DRAWN BY ETHRODAHL DATE 2010/03/31	CHECKED BY JMACNEIL DATE 2010/03/31	APPROVED BY JMACNEIL DATE 2010/04/09	TITLE FIQD FEMALE AVIKRIMP LOW PROFILE .250X.032 TAB, 12-10 AWG	MOLEX INCORPORATED
A	REV	DRAFT WHERE APPLICABLE MUST REMAIN WITHIN DIMENSIONS		SEE CHART	THIS DRAWING CONTAINS INFORMATION THAT IS PROPRIETARY TO MOLEX INCORPORATED AND SHOULD NOT BE USED WITHOUT WRITTEN PERMISSION		