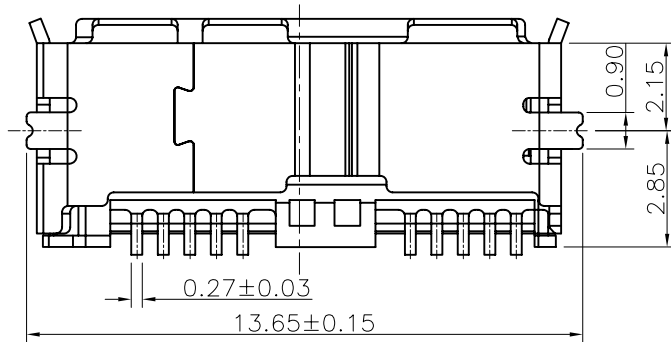
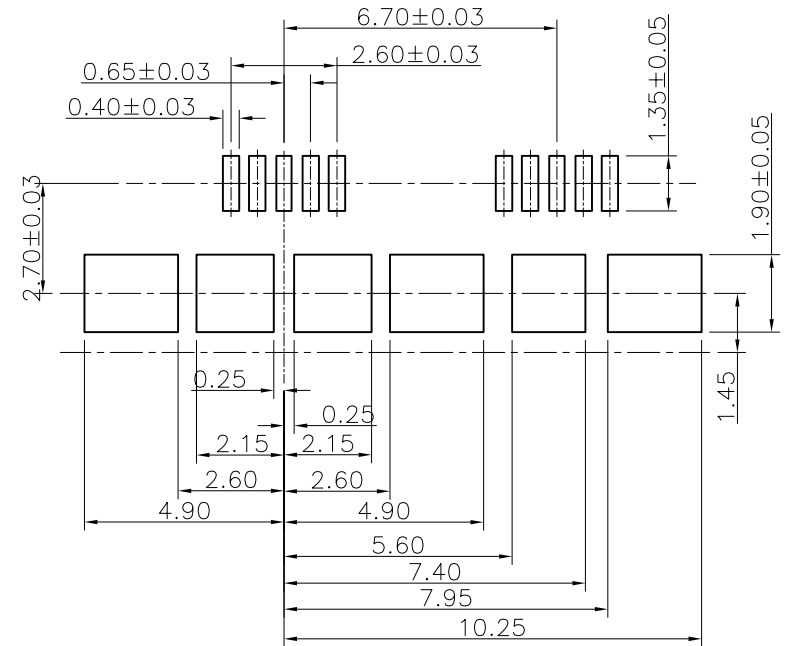
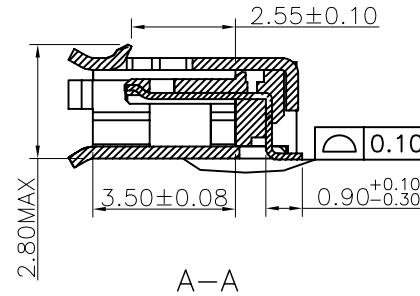
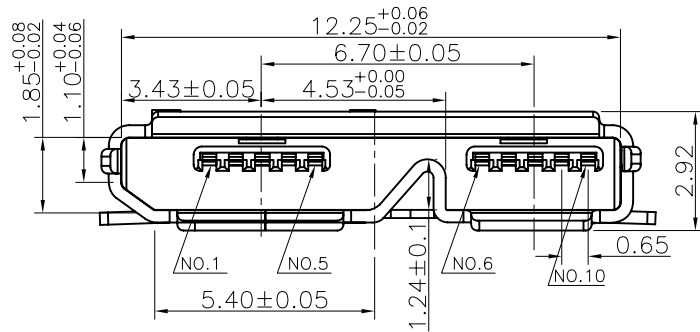
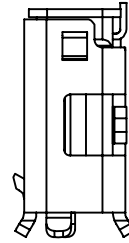
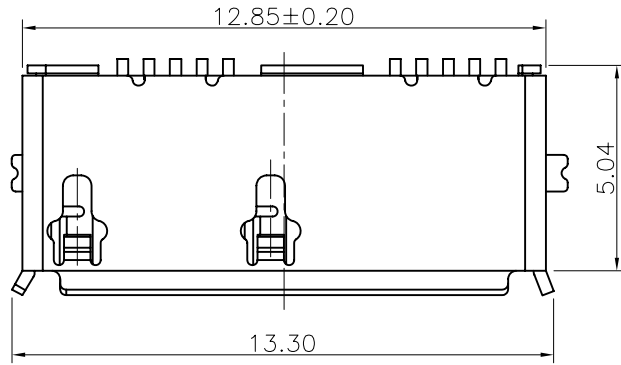


REV	ECN.NO:	B Y	DATE
A0	NEW DWG	ING	10/06/02

Pin Number	Signal Name
1	VBUS
2	D-
3	D+
4	ID
5	GND
6	MicB_SSTX-
7	MicB_SSTX+
8	GND_DRAIN
9	MicB_SSRX-
10	MicB_SSRX+
Shell	Shield

NOTES:  
 INSULATOR:LCP.COLOR-BLACK  
 USB CONTACT:BRASS 0.15MM THICKNESS,SELECTIVE GOLD  
 PLATED ON CONTACT AREA, GOLD FLASH PLATED  
 ON SOLDER TAIL,  
 80U" MIN NICKEL UNDERPLATED OVERALL,  
 SHELL:0.3MM THICKNESS ,FLASH  
 PLATED ON THE SOLDERING TAB.



-TOLERANCES- UNLESS OTHERWISE SPECIFIED		<b>CnC Tech . LLC</b>								
				TITLE: MICRO USB 3.0-B SMT						
X.X	±0.25	X.X°	±3.00°	APPD:		PRODUCT NO: 1003-005-22100				
X.XX	±0.20	X.XX°	±1.00°	CHECK:		DATE	SCALE	UNIT	TYPE	PAGE
X.XXX	±0.10	X.XXX°	±0.05°	DRAW:		2010.06.02	FREE	MM	Z	1