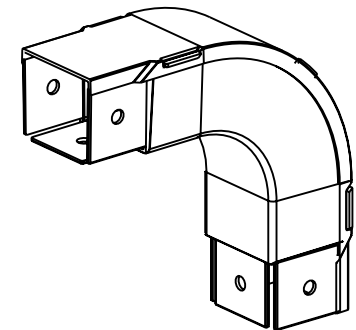
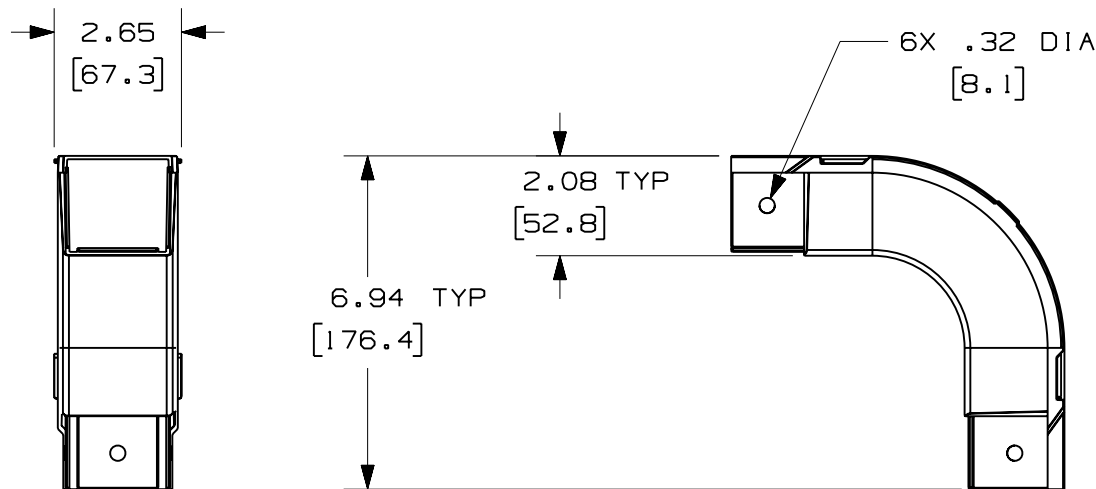


PANDUIT PART NUMBER	WEIGHT
FOVRA2X2	0.31 LB/EACH (140g/EACH)



NOTES:

1. SEE CURRENT CATALOG FOR ADDITIONAL PART SUFFIXES TO INDICATE COLOR AND/OR PACKAGE QUANTITY.
2. THE FIBER-DUCT 2x2 AND FIBERRUNNER 2x2 OUTSIDE VERTICAL RIGHT ANGLE FITTING IS DESIGNED WITH A MINIMUM 2" (50.8) BEND RADIUS TO PROTECT FIBER OPTIC CABLES.
3. DIMENSIONS IN PARENTHESES ARE IN METRIC.



ENG. REF.: D35245BY_DC_FOVRA2X2_04.prt

CAD FILENAME/LAYERS

E FOVRA2X2.pdf

PANDUIT CORP TINLEY PARK, ILLINOIS
 FIBER-DUCT 2x2 AND FIBERRUNNER 2x2 OUTSIDE VERTICAL RIGHT ANGLE FITTING (FOVRA2X2)
 CUSTOMER DRAWING

UNLESS OTHERWISE SPECIFIED, DIMENSIONAL TOLERANCES ARE:
 (.X) ± (.XXX) ±
 (.XX) ± .03 (.8) ANGLES ±

UNLESS OTHERWISE SPECIFIED, ALL DIMENSIONS ARE GIVEN IN INCHES, THIRD ANGLE PROJECTION.

DRAWN BY: RCA

MAT'L:

DATE: 2-5-97

ABS

SCALE: NONE

DRAWING NO.

35245-25

DWG

A

CHK'D: CEF



SIZE

REV	DATE	BY	CHK	DESCRIPTION	ECN	R	CUST	SUP	GMBH
-	-----	---	---	I. REVISED GENERAL NOTES. H. REVISED PART WEIGHT.	-----	--	--		
-	-----	---	---	G. REVISED MATERIAL. F. REVISED DRAWING TITLE.	-----	--	--		
4	12-15-06	MSO	RN	E. REVISED CAD FILENAME. D. REVISED AND REDRAWN.	35245-25	RN	RN		