

PART NAME: HANDLE

SCALE: 1:1

DATE: 8/26/66

DR. BY MS



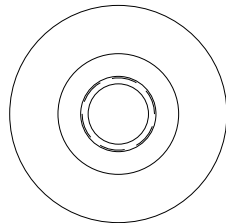
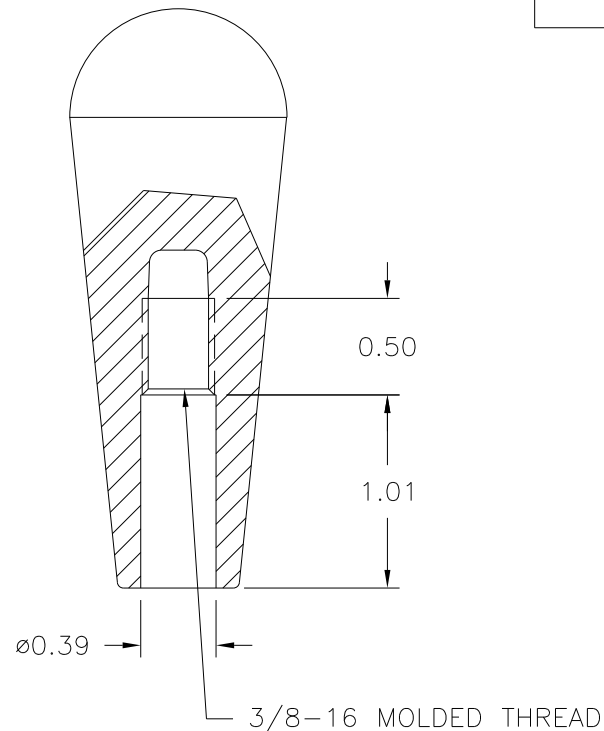
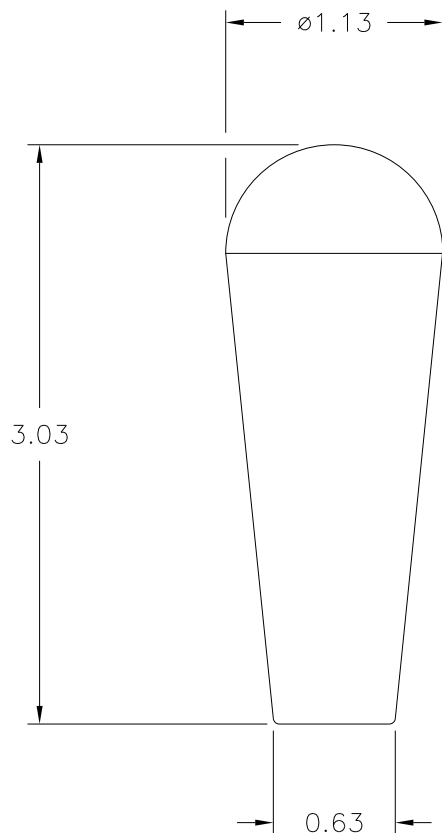
DESIGNERS & MANUFACTURERS OF KNOBS, HANDLES, CASES & CUSTOM PLASTIC COMPONENTS

P/N 0697

M NO. 5682

THIS DRAWING IS THE PROPERTY OF DAVIES MOLDING COMPANY, IS SUBMITTED SOLELY AS A DESIGN OR ENGINEERING PROJECT. WE ACCEPT NO RESPONSIBILITY WHATSOEVER FOR THE PRACTICAL APPLICATION OF THE PIECES MADE TO THIS DESIGN.

CAVITY	5870
PLUNGER	5870
THD. CORE	5870
STOOLS	5870
PIN RET.	5870



MATERIAL: G.P. PHENOLIC (B11)
COLOR: BLACK

TOLERANCES: UNLESS OTHERWISE SPECIFIED	DO NOT SCALE DRAWING				
DECIMALS: X.XXX ± .005 X.XX ± .015	MM: X.XX ± 0.15MM X.X ± 0.4MM	-	Redid Redraw	TS	9/1/99
FRACTIONS ± 1/64	ANG. ± 1°	-	CAD/REDRAWN	HD	5/21/93
CHANGES					