



PRODUCT NUMBER
20020624-XXXXXXLF

20020624-□ □ □ □ A 0 □ L F

PITCH

U : 10.16 mm

POLES

02 : 2 POLES
03 : 3 POLES
04 : 4 POLES

08 : 08 POLES

LF : DENOTED RoHS COMPATIBLE

1 : STANDARD PRODUCT
W/ BOX PACKING

HOUSING CODE

CODE	COLOR	AVAILABILITY
1	GREEN(RAL 6018/T)	STANDARD
2	BLACK	ON REQUEST ONLY
3	GREY(RAL 7004/P)	ON REQUEST ONLY
4	BLUE(RAL 5015/A)	ON REQUEST ONLY

PROPERTY TABLE	
FCI SERIES NAME	29-1016
PITCH (mm)	10.16
VOLTAGE RATING (VAC)	300
CURRENT RATING (A)	55
WITHSTANDING VOLTAGE (kV)	1.6
OPERATING TEMP. (°C)	-40~+115
SOLDERING TEMP. (°C)	250±10 (5 sec.)
POLES AVAILABLE	02~08
SAFETY CERTIFICATE	

NOTES:

1. MATERIALS

1-1 HOUSING: THERMALPLASTIC RESIN, UL 94V-0 RATED.

1-2 TERMINAL: COPPER ALLOY, GOLD PLATED.

2. PRODUCTION SPECIFICATION REFER TO FCI GS-12-625.

3. BOXED PACKAGING.

DETAILED PRODUCT PACKING SPECIFICATION REFER TO FCI GS-14-1394.

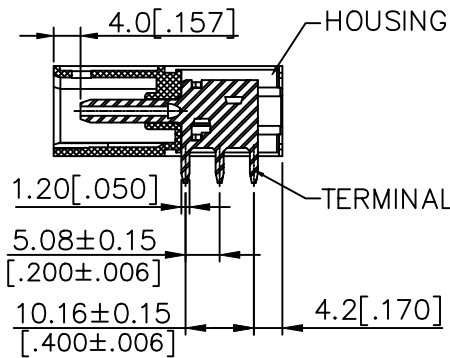
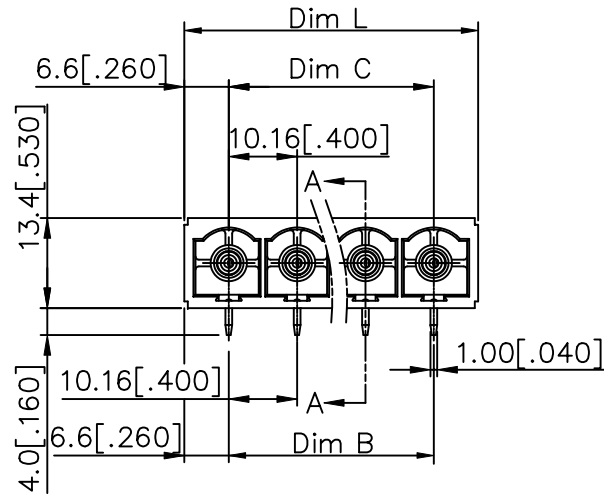
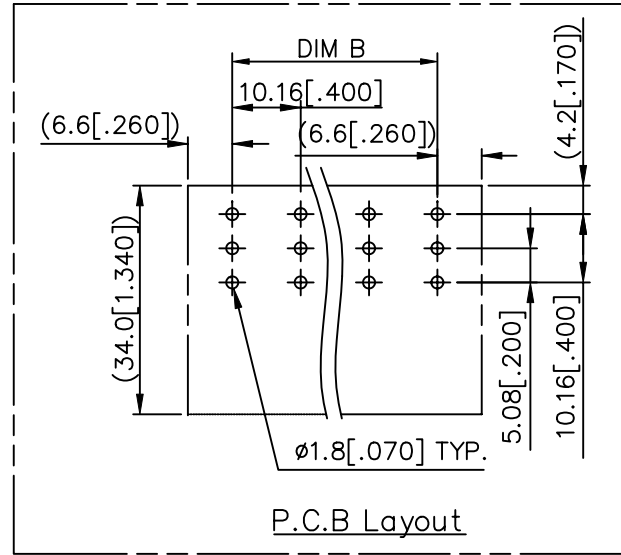
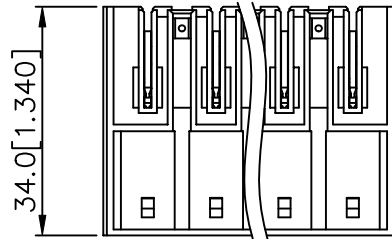
4. FCI, SAFETY CERTIFICATE LOGO AND SERIES NAME TO BE SHOWN ON PRODUCT SURFACE.

5. THE PRODUCTS WHERE THE PART NUMBER END IN "LF" MEET THE EUROPEAN UNION DIRECTIVE AND OTHER COUNTRY REGULATIONS AS DESCRIBED IN GS-22-008.

6. RECOMENDED SOLDERING PROCESS BY WAVE SOLDER.

mat'l. code				surface ASME Y14.5 ✓		tolerance ASME Y14.5		projection		product family	
tolerances unless otherwise specified				X.±0.5		X.X±0.3		MM		TERMINAL BLOCK	
angles				X°±1'		X.XX±0.1		[INCH]		title	
dr				WENDY CHEN		093010		scale		TERMINAL BLOCK	
enr				JASON HSU		093010		FCI		PLUGGABLE SOCKET, POWER, RA-DOWN	
chr				JASON HSU		093010		dwg no		sheet 1 of 2 size	
appd				JASON HSU		093010		20020624		A4	
sheet index				revision		C C		type		CUSTOMER Drawing	
				sheet		1 2					

PRODUCT NUMBER	SERIES NAME	PITCH
20020624-UXXXXXXLF	29-1016	10.16 mm



SECTION A-A

DIMENSION:

Dim L	$N * 10.16 [.400] + 3.04 [.120]$
Dim B	$(N - 1) * 10.16 [.400]$
Dim C	$(N - 1) * 10.16 [.400]$

N=Number of contacts

Poles	Tolerance
2p-3p	$\pm 0.15 [.004]$
4p-6p	$\pm 0.25 [.010]$
7p-8p	$\pm 0.35 [.014]$

mat'l. code		surface ASME Y14.5 ✓	tolerance ASME Y14.5	projection [Symbol]	product family TERMINAL BLOCK
ltr	ecn no	dr	date	title TERMINAL BLOCK PLUGGABLE SOCKET, POWER, RA-DOWN	
c		angles X°±1'	total X.X±0.3	MM [INCH]	scale
dr		WENDY CHEN	093010	dwg no 20020624	
enr		JASON HSU	093010	sheet 2 of 2 size A4	
chr		JASON HSU	093010	type CUSTOMER Drawing	
appd		JASON HSU	093010	FCI	
sheet index	revision sheet				