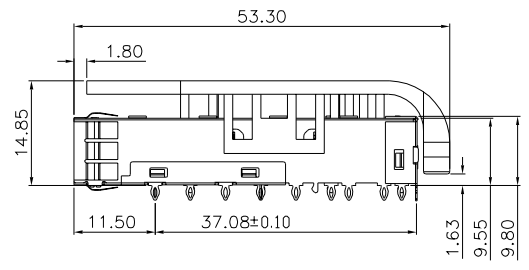
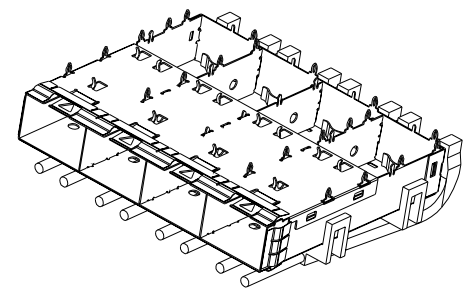
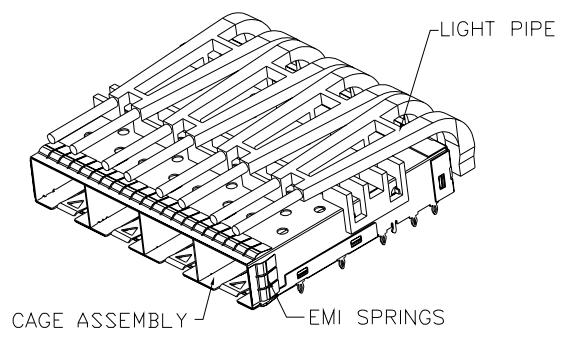
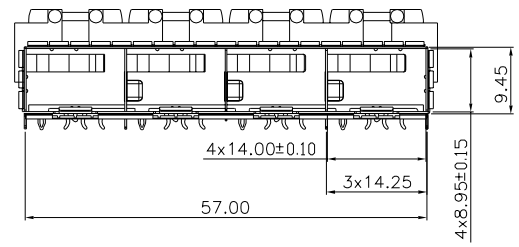
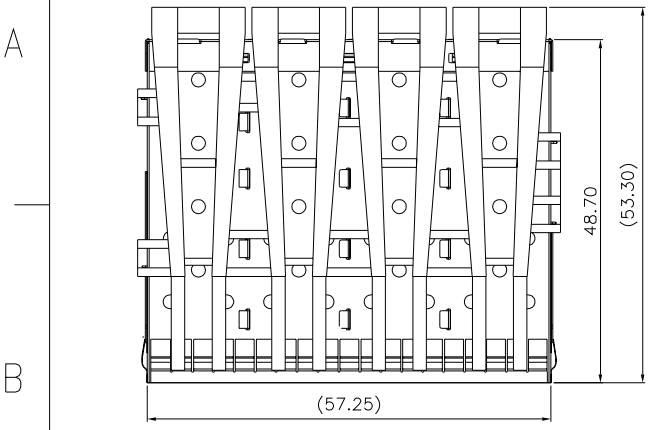


Product Number	Packaging
10126909-101LF	Tray



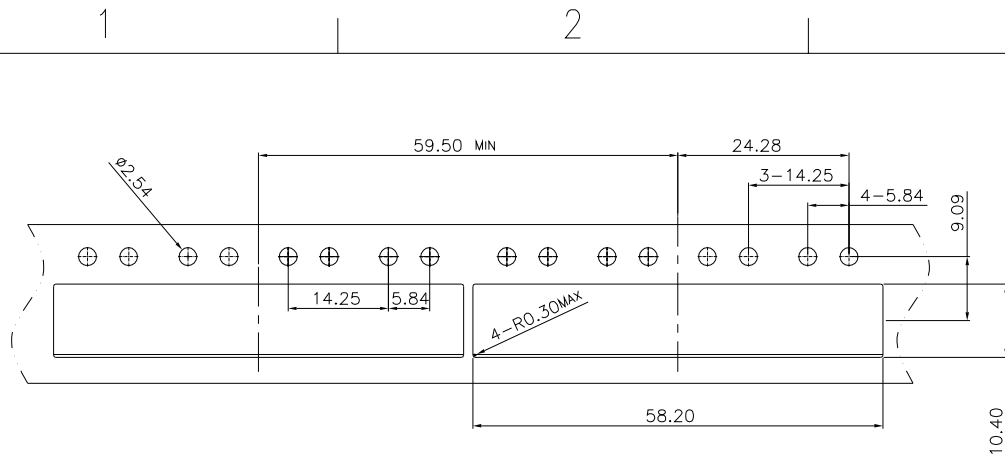
NOTES:

- | 1, DESCRIPTION | Q'ty | MATERIAL | PLATING |
|----------------|------|----------------------------|------------|
| CAGE ASSEMBLY | 1PCS | NICKEL SILVER ALLOY T=0.25 | NO PLATING |
| EMI SPRINGS | 4PCS | COPPER ALLOY T=0.08 | Ni PLATED |
| LIGHT PIPE | 1PCS | POLYCARBONATE.CLEAR | NO PLATING |
- 2, PRODUCT SPECIFICATION: GS-12-1165
 3, APPLICATION SPECIFICATION: GS-20-0384
 4, PACKAGE PER GS-14-2344 AND GS-14-920

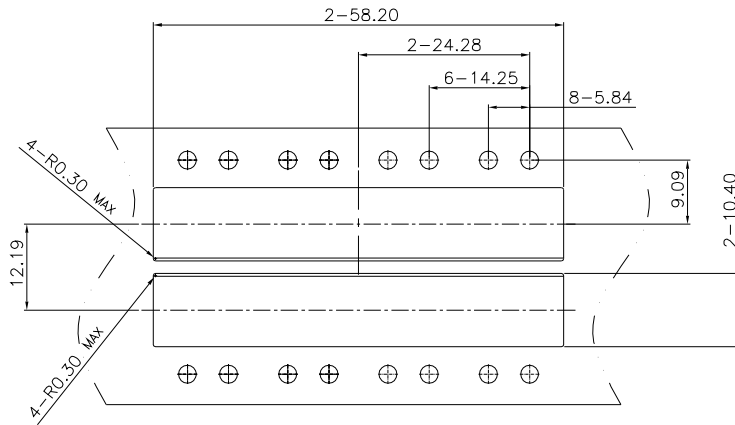


Copyright FCI.

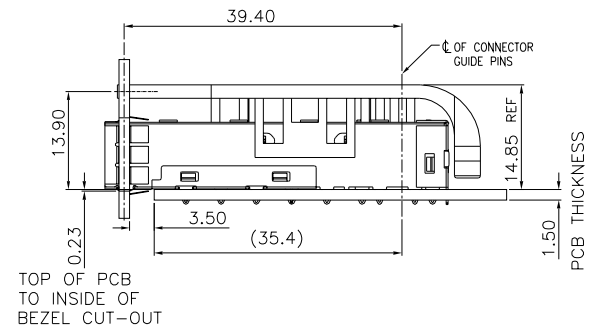
spec ref	RELEASE			dr	Art Lin	2014-01-13	projection 	MM 	size	scale
tolerance std	TOLERANCES UNLESS OTHERWISE SPECIFIED			eng	Zhen Luo	2014-01-13			A4	1:1
ISO406 ISO1101				chr	Collins Lu	2014-01-14			ecn no	
surface	linear	0.X	±0.25	www.fci.com	cat. no.	-	product family	SFP+	rel level	Released
ISO1302		0.XX	±0.20							
	angular	0°	±0.5°							
Pro/E File - REV C - 2009-06-09 Product-Customer Drw sheet 1 of 3										



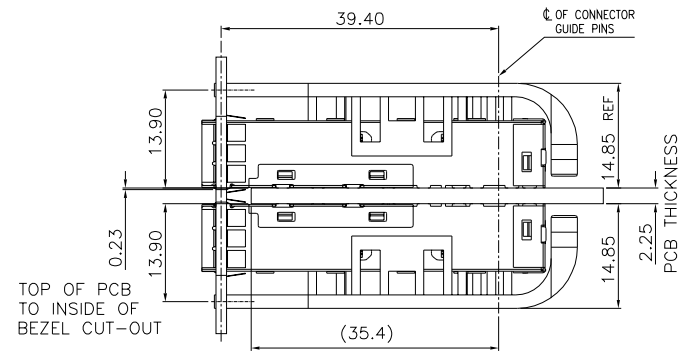
BEZEL CUT-OUT SINGLE SIDED APPLICATIONS



RECOMMENDED BEZEL CUT-OUT BELLY TO BELLY APPLICATIONS



MOUNTED ON PC BOARD
SHOWN THRU RECOMMENDED BEZEL



MOUNTED BELLY TO BELLY ON PC BOARD
SHOWN THRU RECOMMENDED BEZEL



Copyright FCI.

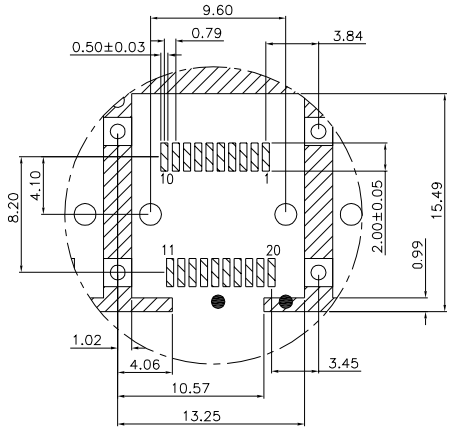
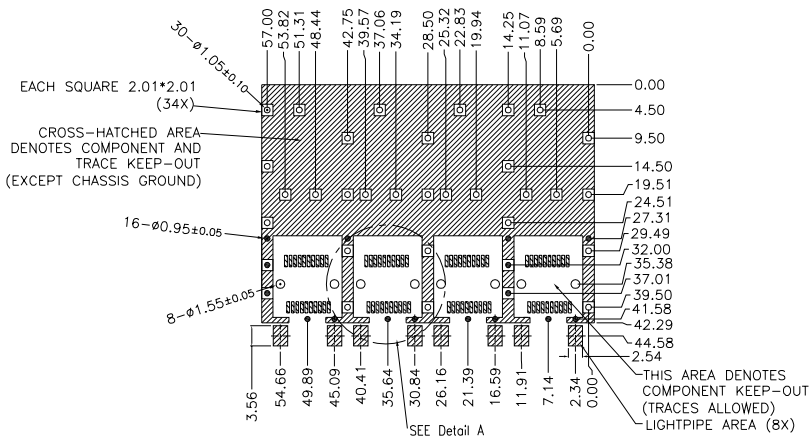
spec ref	RELEASE	dr	Art Lin	2014-01-13	projection 	MM ←→	size	scale
tolerance std	TOLERANCES UNLESS OTHERWISE SPECIFIED	eng	Zhen Luo	2014-01-13			A4	1:1
ISO406		chr	Collins Lu	2014-01-14	ecn no			
ISO1101		appr	JEFFREY QIN	2014-01-14	product family	SFP+	rel level	Released
surface - ISO1302	linear	0.X	±0.25		title	dwg no	10126909	rev
		0.XX	±0.20					
0.XXX	±0.15							
	angular	0°	±0.5°	www.fci.com	cat. no.	-	Product-Customer Drw	sheet 2 of 3

Pro/E File - REV C - 2009-06-09

1 2 3 4

A

A

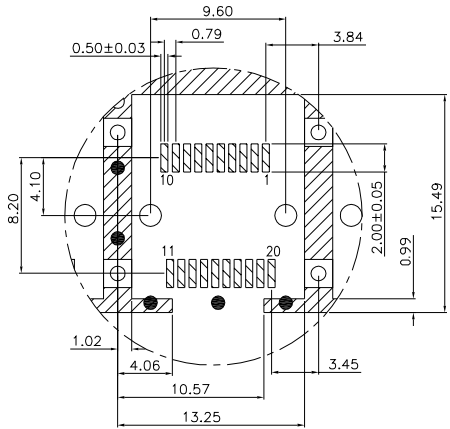
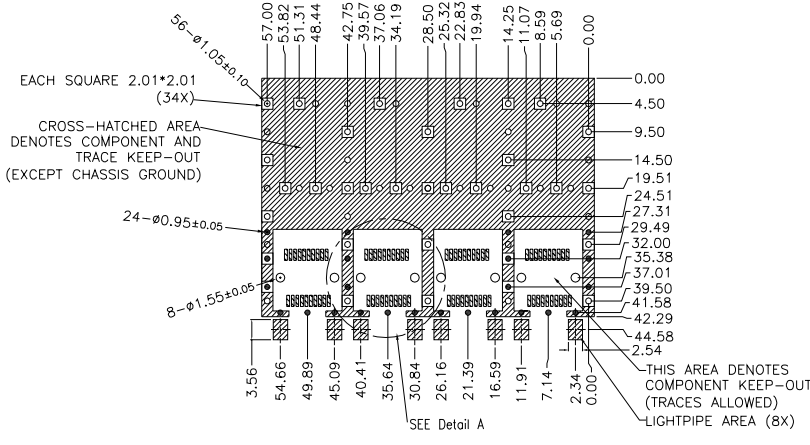


RECOMMENDED PCB CONFIGURATION WITH KEEP-OUT AREAS
SINGLE SIDED APPLICATIONS

Detail A
SCALE 2.5:1

B

B



RECOMMENDED PCB CONFIGURATION WITH KEEP-OUT AREAS
BELLY TO BELLY APPLICATIONS

Detail A
SCALE 2.5:1

C

C



Copyright FCI.

D

D

spec ref	RELEASE			dr	Art Lin	2014-01-13	projection	size	scale		
tolerance std	TOLERANCES UNLESS OTHERWISE SPECIFIED			eng	Zhen Luo	2014-01-13				MM	A4
ISO406				chr	Collins Lu	2014-01-14	← MM →	ecn no			
ISO1101				appr	JEFFREY QIN	2014-01-14		product family	SFP+	rel level	Released
surface	linear	0.X	±0.25	FCI	title	SFP+ 1X4 CAGE ASSEMBLY EMI SPRING TYPE PRESS FIT WITH LIGHTPIPE		dwg no	10126909		rev
		0.XX	±0.20								
0.XXX	±0.15										
ISO1302	angular	0°	±0.5°	www.fci.com	cat. no.	-	Product-Customer Drw	sheet 3 of 3			

Proj/E File - REV C - 2009-06-09

1 2 3 4