

4

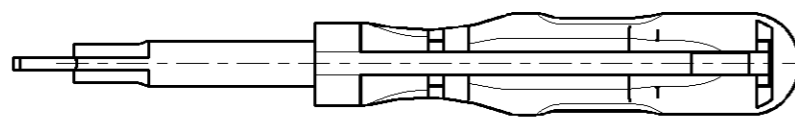
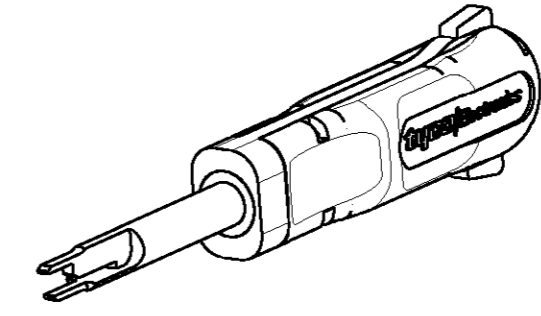
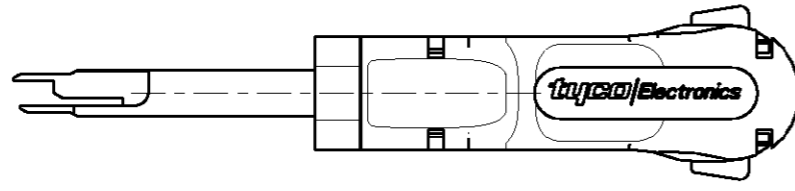
3

2

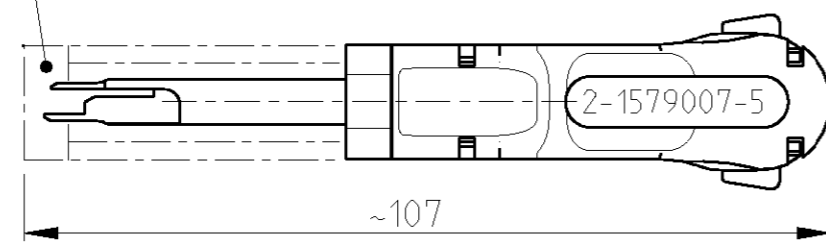
1

THIS DRAWING IS UNPUBLISHED. RELEASED FOR PUBLICATION 2003
 © COPYRIGHT 2003 BY TYCO ELECTRONICS CORPORATION. ALL RIGHTS RESERVED.

LOC	DIST	REVISIONS					
		P	LTR	DESCRIPTION	DATE	DWN	APVD
A1	-		A	EGC0-0137-03	16FEB2004	ZA	-
			A1	EGC0-0270-04	28DEC2004	ZA	-



COVER SLIDE
Schutzschieber



FOR CONTACTS: JPT, SPT, TAB 4.8/5.8mm
 (IN THE OPEN CONTACTS CAVITY)
 (in offener Kontaktkammer)

ONLY FOR ASYMETRIC CONTACTS
 Nur für asymmetrische Kontakte

THIS DRAWING IS A CONTROLLED DOCUMENT FOR TYCO ELECTRONICS CORPORATION
 IT IS SUBJECT TO CHANGE AND THE CONTROLLING ENGINEERING ORGANIZATION
 SHOULD BE CONTACTED FOR THE LATEST REVISION.

DIMENSIONS: mm		TOLERANCES UNLESS OTHERWISE SPECIFIED:	
		0 PLC	±
		1 PLC	±
		2 PLC	±
		3 PLC	±
		4 PLC	±
MATERIAL		FINISH	-
		ANGLES	±1°

DWN	J. ZAJICEK	28DEC2004	tyco Electronics AMP GmbH D - 64625 Bensheim	
CHK	-	-	NAME	
APVD	-	-	EXTRACTION TOOL Entriegelungswerkzeug	
PRODUCT SPEC	-	-	SIZE	A3
APPLICATION SPEC	-	-	CAGE CODE	00779
WEIGHT	-	-	DRAWING NO	2-1579007-5
CUSTOMER DRAWING			RESTRICTED TO	-
SCALE			1:1	SHEET 1 OF 1
			REV	A1