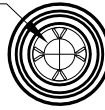
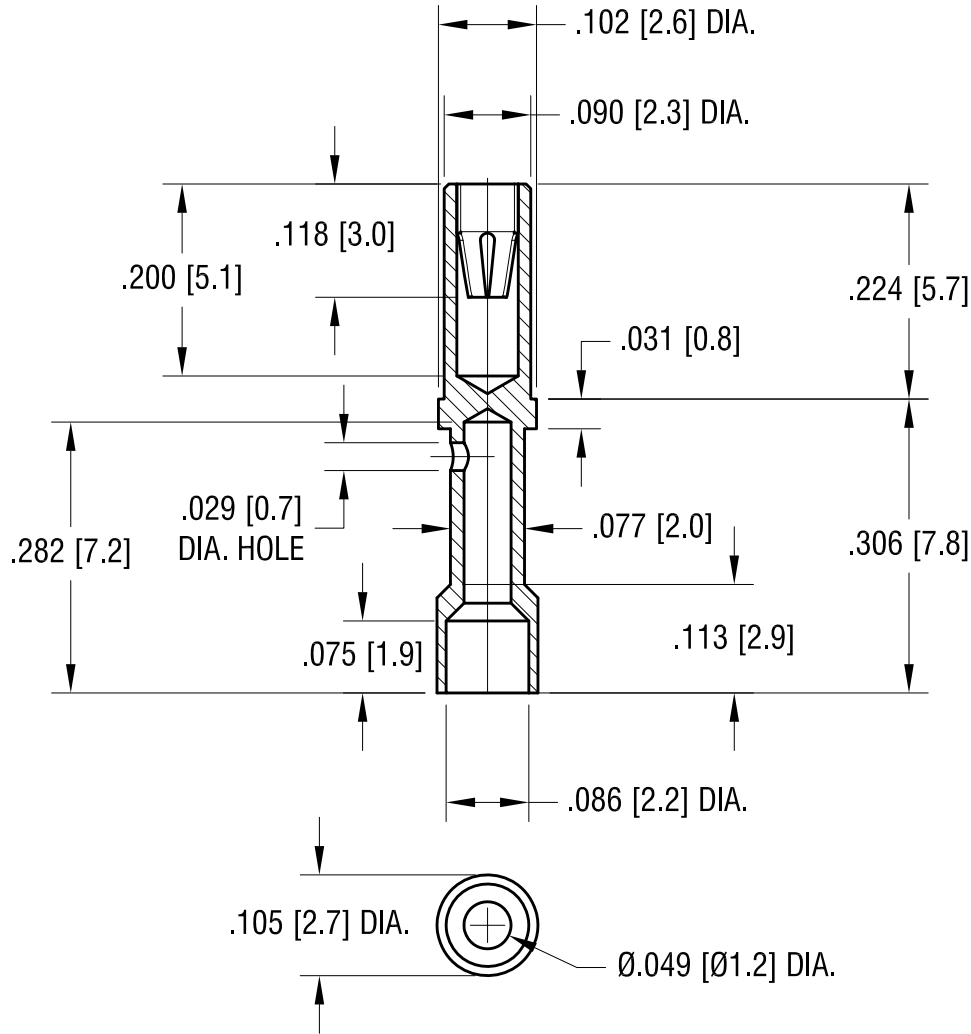


THIS DOCUMENT IS THE PROPERTY OF
KEYSTONE ELECTRONICS CORP. AND
SHALL NOT BE REPRODUCED, DISTRIBUTED
OR USED AS A BASIS FOR MANUFACTURE
WITHOUT PRIOR WRITTEN PERMISSION
FROM KEYSTONE ELECTRONICS CORP.

4-FINGERS CLOSED
ENTRY CONTACT FOR
Ø.040 [Ø1.02]
DIAMETER PIN



ACTUAL SIZE



NOTES:

1. BODY: MAT'L - BRASS
2. SPRING CONTACT: MAT'L - BERYLLIUM COPPER
3. ACCEPTS .040 DIA. PIN

KEYSTONE ELECTRONICS CORP.

www.keyelco.com • ASTORIA, N.Y. 11105-2017 • Tel (718) 956-8900

PART NAME

JACK FOR .032 [.81]-.046 [1.17] DIA. PINS

MATERIAL

AS NOTED

FINISH

TIN PLATE (NON ROHS)

DRN BY

NT

DATE

3.29.07

APP'D

LN

SCALE

5X

TOLERANCES

INCH [MM]

DECIMAL

± .005 [± 0.13]

ANGULAR

± 1°

UNLESS OTHERWISE SPECIFIED

CODE

C

DWG NO.

3594

3.11.08

AS PER ECN 08-094

A

REV.

DATE

DESCRIPTION