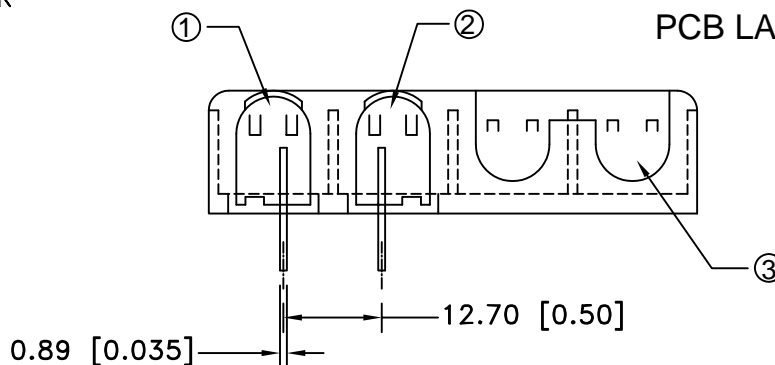
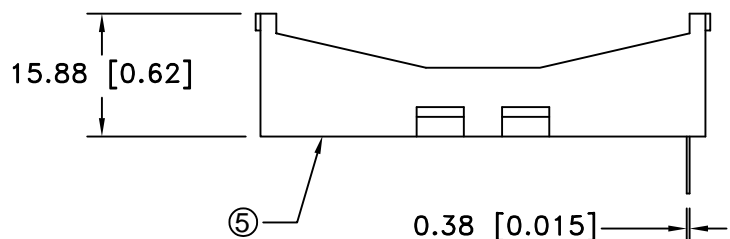
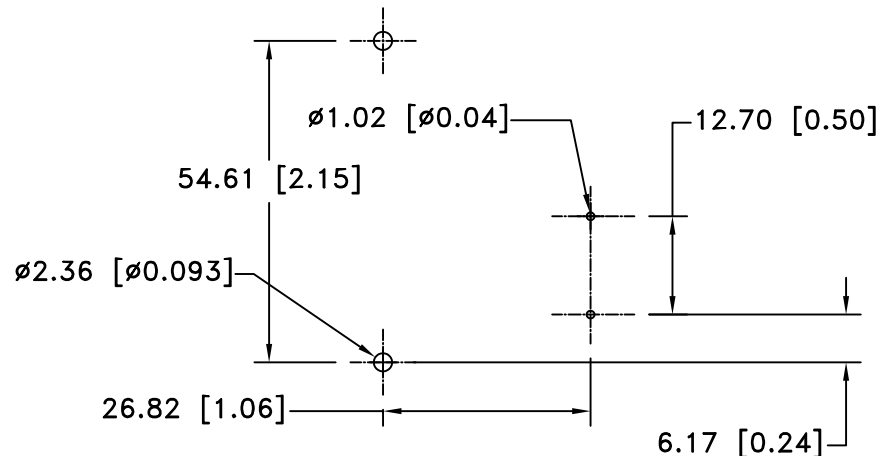
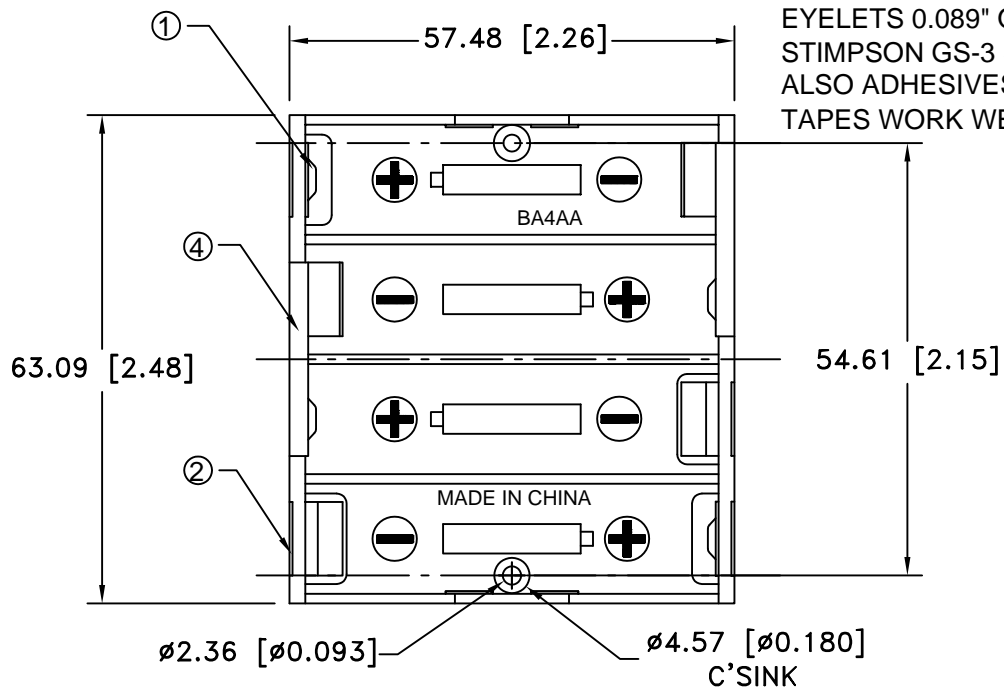


MOUNTING INSTRUCTION:
 USE 2-56 MACHINE SCREWS OR
 EYELETS 0.089" OD BY 0.15" FLANGE
 STIMPSON GS-3 SERIES OR EQUIVALENT.
 ALSO ADHESIVES AND DOUBLE SIDED
 TAPES WORK WELL.

Date	SYM	REVISION RECORD	AUTH	DR.	CK.



ITEM NO.	PART NO.	MATL. SPECIFICATION	QTY.	Tolerance (Except as noted)	Memory Protection Devices, Inc 200 Broad Hollow Road, Farmingdale, New York 11735	
1	ABG-194	POSITIVE CONTACT, 302 STAINLESS STEEL, NICKLE PLTD.	2	decimal	Scale	Drawn By B.S.
2	ABG-195	NEGATIVE CONTACT, 302 STAINLESS STEEL, NICKLE PLTD.	2			
3	ABG-196-1	RIGHT NEG./POS. CONTACT, 302 STAINLESS STEEL, NICKLE PLTD.	1	$\pm .5$ (.020)	Title	Approved By T.B.
4	ABG-196-2	LEFT NEG./POS. CONTACT, 302 STAINLESS STEEL, NICKLE PLTD.	1			
5	ABG-187	BLACK POLYPROPYLENE HOLDER, UL94V-0	1	Fractional $\pm .8$ (.030)	FOUR "AA" CELL SPRINGLESS HOLDER	
				Angular $\pm 3^\circ$	Date 10/20/07	Drawing Number BA4AAPC-UL94V-0