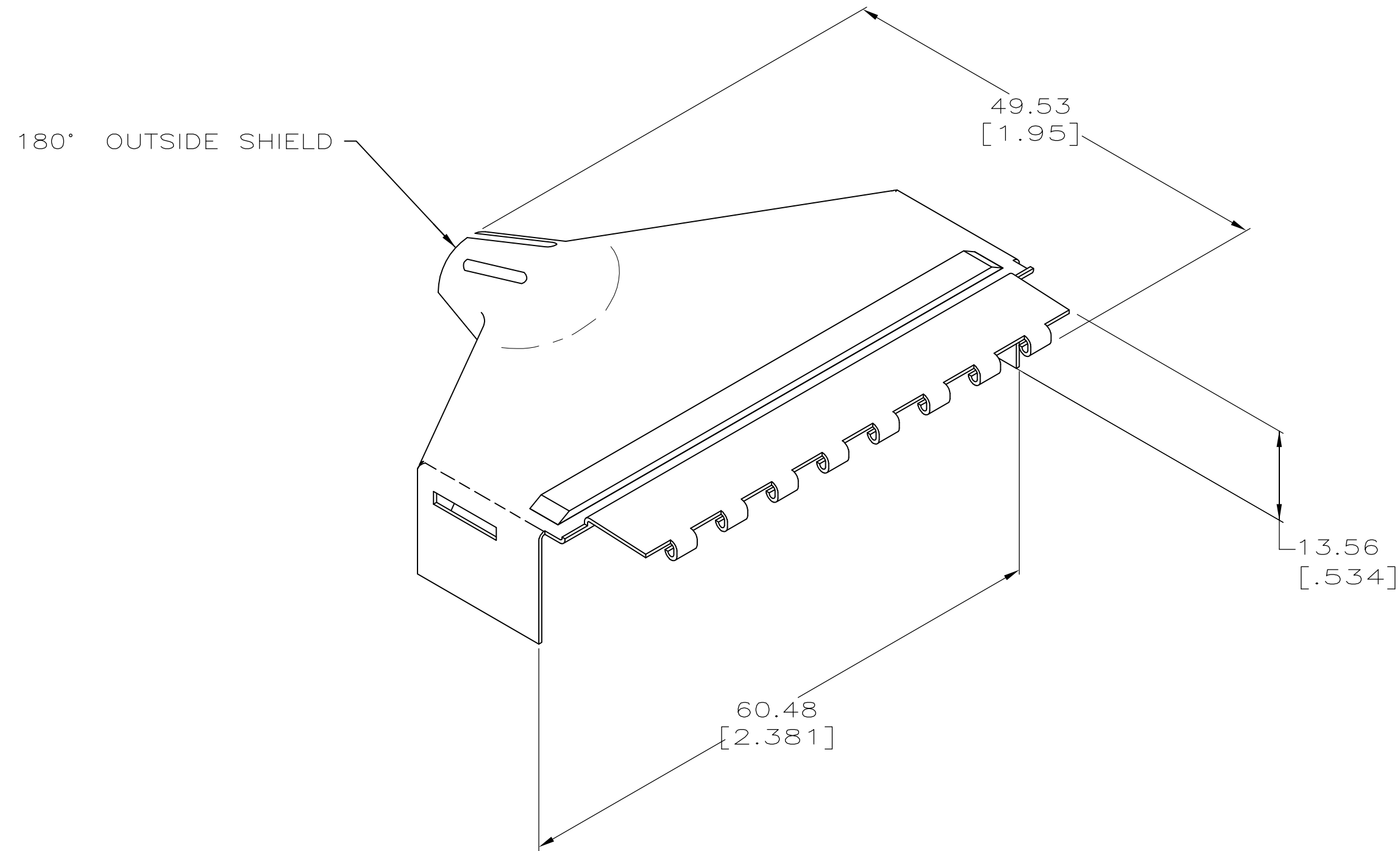


THIS DRAWING IS UNPUBLISHED. RELEASED FOR PUBLICATION
 © COPYRIGHT BY TYCO ELECTRONICS CORPORATION. ALL INTERNATIONAL RIGHTS RESERVED.

LOC	DIST	REVISIONS					
		P	LTR	DESCRIPTION	DATE	DWN	APVD
AA	20	B		REVISED PER ECO-09-000015	9JAN2009	ZMR	WLM

1. MATERIAL: CARBON STEEL, 0.4[.016] THICK, BRIGHT NICKEL PLATED.
2. DIMENSIONS ARE MAXIMUM UNLESS OTHERWISE SPECIFIED.
3. CABLE RANGE: $\phi 8.89-15.88$ [.350-.625].



LAYER PACKAGED	554329-3
BULK PACKAGED	554329-1
PACKAGING	PART NUMBER

THIS DRAWING IS A CONTROLLED DOCUMENT.		DWN	M.D. BYERLY	11NOV83	Tyco Electronics Corporation Harrisburg, PA 17105-3608	
DIMENSIONS:		CHK	M. FRIEL	30NOV83		
mm [INCHES]		APVD	G. FOSTER	03JAN84		
TOLERANCES UNLESS OTHERWISE SPECIFIED:		PRODUCT SPEC				
0 PLC	± -	APPLICATION SPEC			NAME	OUTSIDE SHIELD, 180 DEGREE, EMI, PLUG, 50 POSITION
1 PLC	± -				SIZE	A2
2 PLC	± -				CAGE CODE	00779
3 PLC	± -				DRAWING NO	C=554329
4 PLC	± -				RESTRICTED TO	-
ANGLES	± -	WEIGHT			SCALE	2:1
FINISH	1	CUSTOMER DRAWING			SHEET	1 of 1
					REV	B