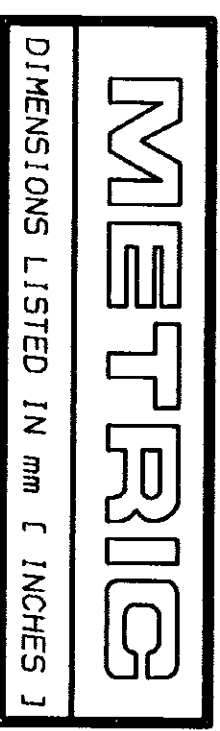
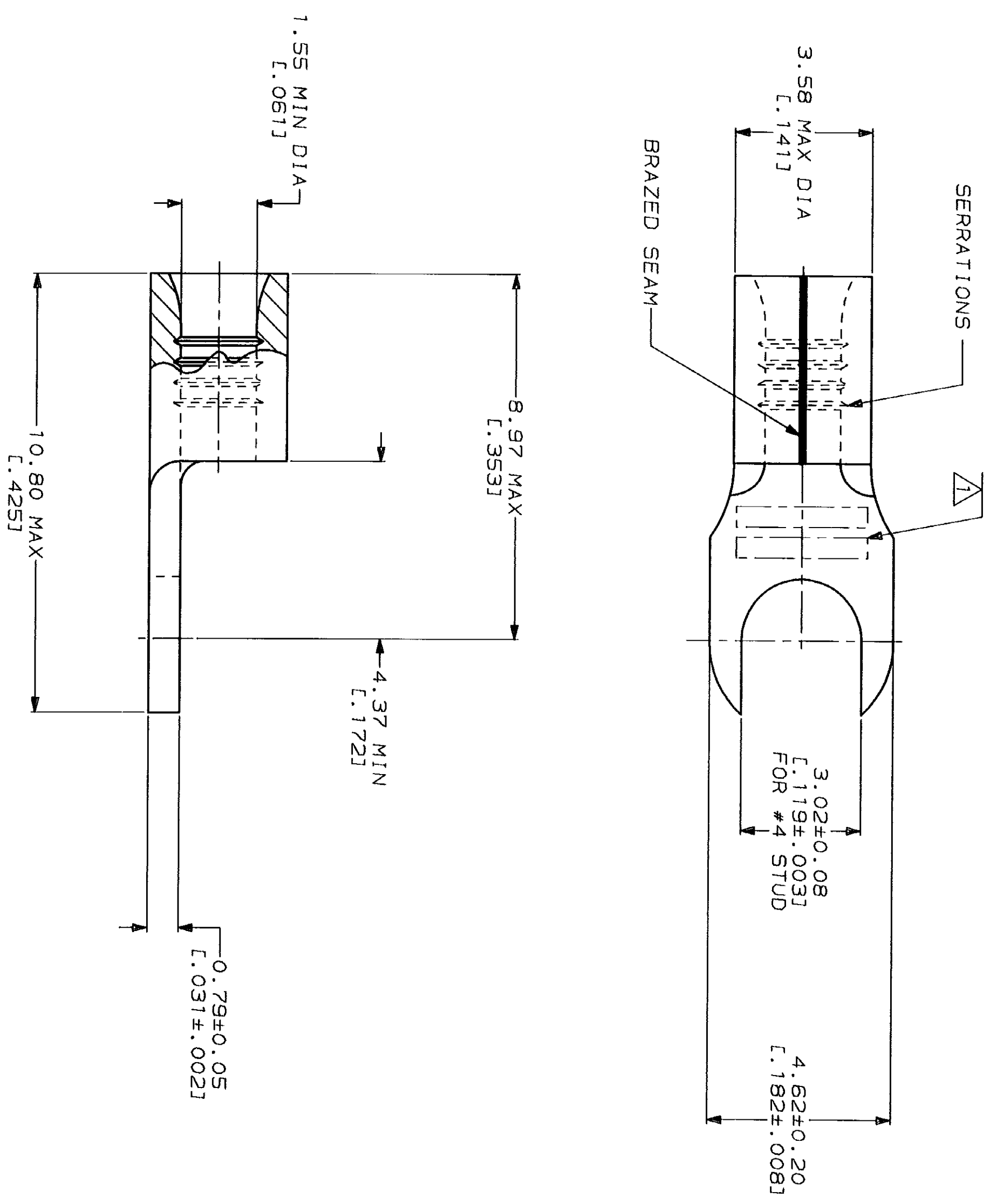


| LOC | DIST | P | F | ZONE | LTR | REVISIONS | DESCRIPTION | DATE | APPD |
|-----|------|---|---|------|-----|-----------|--------------------------------------|--------|--------|
| G | 14 | | | | | D | REV, RDRW, & SM PKG PER 0720-0040-93 | 4-8-93 | 18 DAP |



| | |
|--------------------------------|--------------------------------|
| AMP WIRE RANGE | UL E13288 Listed |
| 22-16 AWG SOLID OR STRANDED | 22-16 AWG SOLID OR STRANDED |
| LR7189 Certified | MILITARY P/N AND CLASS |
| 22-16 AWG SOLID OR STRANDED | NOT APPLICABLE |

STAMP AMP 22-18* APPROX AS SHOWN
 22-16 TERMINALS ARE STAMPED 22-18 IN
 ACCORDANCE WITH MILITARY SPECIFICATION
 MIL-T-7928, COMMERCIAL WIRE RANGE IS 22-16



| | | |
|-----|------------------|------------|
| 100 | LOOSE PIECE, BOX | 8-321288-1 |
| --- | LOOSE PIECE | 321288 |

DR 4-8-93 TA BRINKMAN
 CHK 4-8-93 DA PATTERSON
 APPD 4-8-93 DE MILLER
 APPD 4-8-93 JL HECKLEY
 PRODUCT SPEC

AMP
 AMP Incorporated
 Harrisburg, PA 17105-3508

AMP INCORPORATED
CUSTOMER SERVICE SYSTEMS

FOR ADDITIONAL
 PRODUCT INFORMATION OR
 COPIES OF DRAWINGS
 AND TECHNICAL DOCUMENTS
 1-800-522-6752

FOR APPLICATION
 TOOLING INFORMATION
 1-800-722-1111

FOR ORDER ENTRY
 1-800-526-5142

MAX RECOMMENDED OPERATING
 TEMPERATURE: 170°C MAX

VOLTAGE RATING:
 NOT APPLICABLE

WIPE CROSS SECTIONAL AREA RANGE:
 0.26-1.65mm² [509-3,260] CIR MILS
 SOLID OR STRANDED

DO NOT SCALE PRINT.
 UNLESS SPECIFIED
 DIMENSIONS IN mm FINISHES
 TOLERANCES ON:
 2 PLC DEC ±
 3 PLC DEC ±
 ANGLES
 MATERIAL
 COPPER PER
 ASTM B-152
 ANNEALED

FINISH
 TIN PLATE
 0.00254 [L.000100] MIN
 THK PER MIL-T-10727

APPLICATION SPEC
 WEIGHT
 NAME
 TERMINAL, SLOTTED
 RING TONGUE, SOLISTRAND™

SIZE
 CAGE CODE
 DRAWING NO
 SCALE 10:1