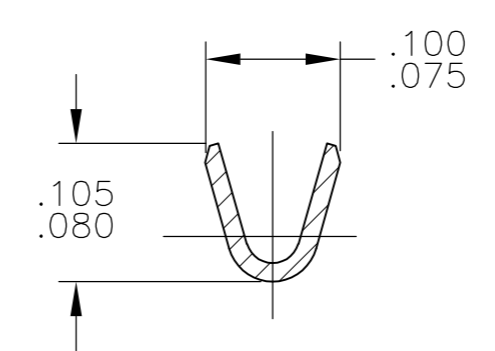
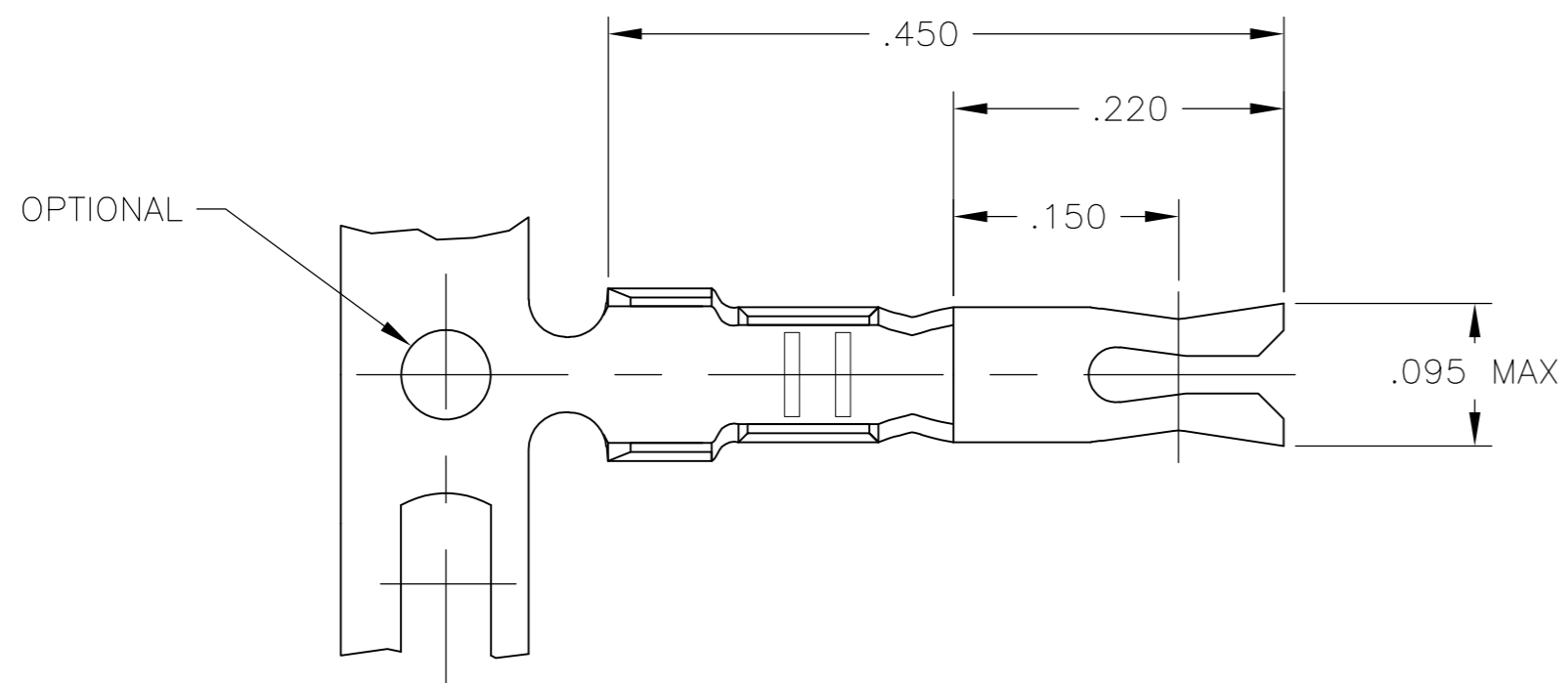


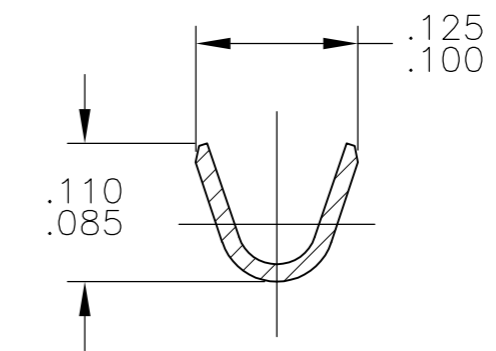
THIS DRAWING IS UNPUBLISHED. RELEASED FOR PUBLICATION  
 © COPYRIGHT BY TYCO ELECTRONICS CORPORATION. ALL INTERNATIONAL RIGHTS RESERVED.

LOC	DIST	REVISIONS			
P	LTR	DESCRIPTION	DATE	DWN	APVD
AF	50	H1	REDRAWN PER ECR-08-032847	09FEB09	HMR JR

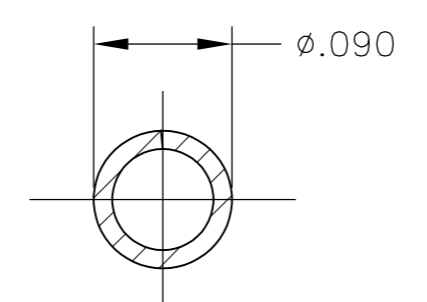
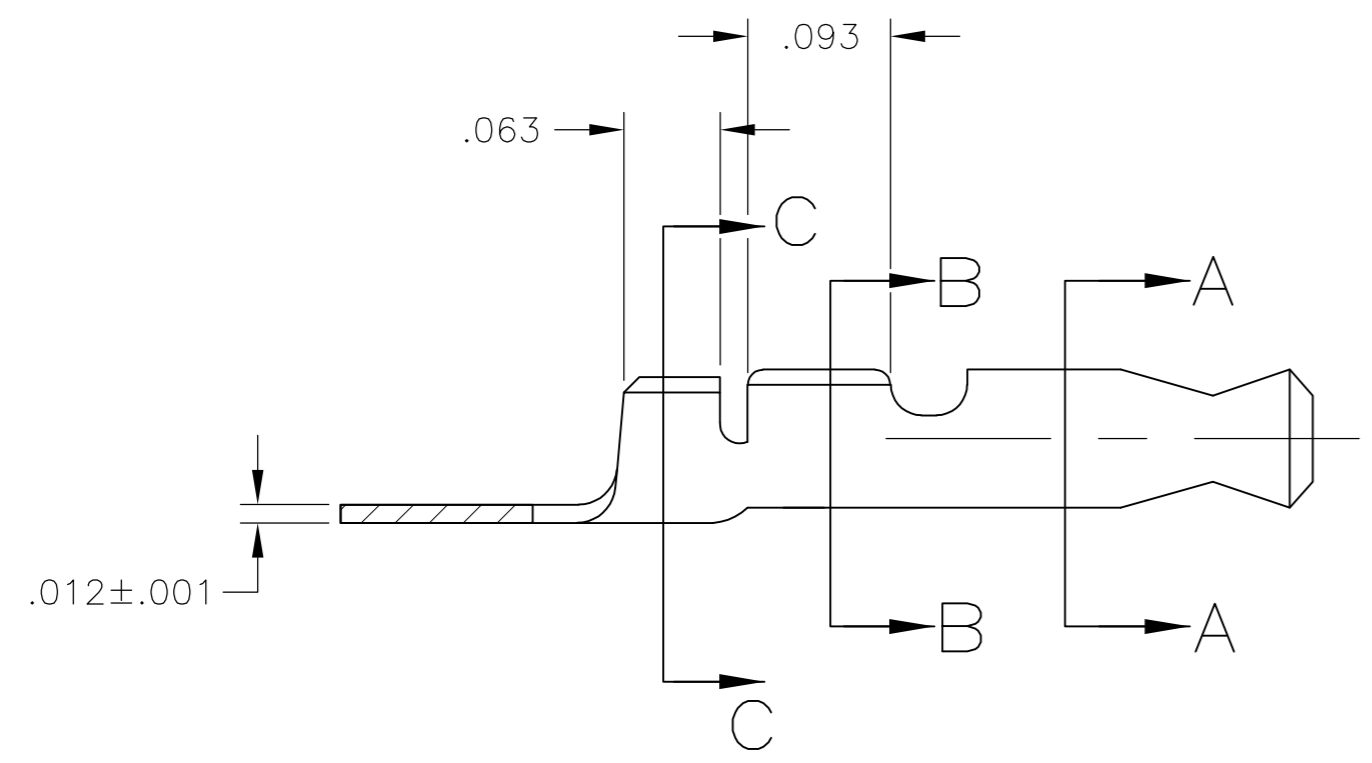
- 1 CONTINUOUS STRIP ON REELS.
- 2 WIRE RANGE: #24 - #20  
INSULATION RANGE: .048 - .071



SECTION B-B



SECTION C-C



SECTION A-A

OBSOLETE	-.055	GOLD	PHOS. BRONZE	42429-4
OBSOLETE	-.055	SILVER	PHOS. BRONZE	42429-3
	.055	TIN	PHOS. BRONZE	42429-2
	.055	NONE	PHOS. BRONZE	42429-1
	PIN DIA ±.001	FINISH	MATERIAL	TERMINAL NUMBER

THIS DRAWING IS A CONTROLLED DOCUMENT.		DWN RAGHAVENDRA 09FEB09	Tyco Electronics Corporation Harrisburg, PA 17105-3608	
DIMENSIONS: INCHES		CHK JEFF RUTH 09FEB09		
TOLERANCES UNLESS OTHERWISE SPECIFIED:		APVD DON DECKER 09FEB09		
0 PLC ± - 1 PLC ± - 2 PLC ± - 3 PLC ± .015 4 PLC ± - ANGLES ± 1°		NAME		
MATERIAL SEE TABLE		FINISH SEE TABLE	PRODUCT SPEC APPLICATION SPEC WEIGHT -	
		SIZE A2 CAGE CODE 00779 DRAWING NO C-42429		RESTRICTED TO -
		CUSTOMER DRAWING		SCALE 8:1 SHEET 1 OF 1 REV H1