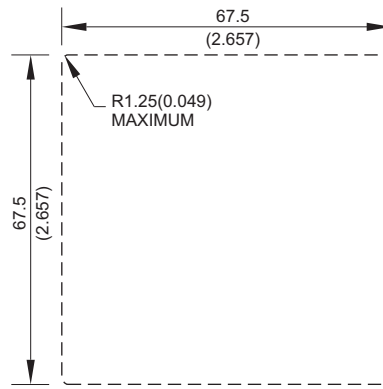


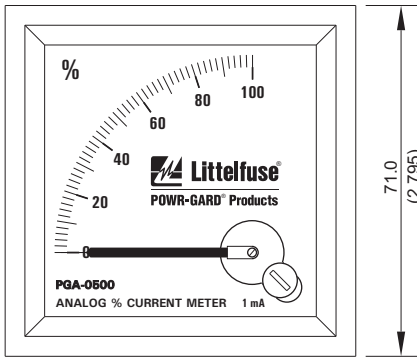
TOP



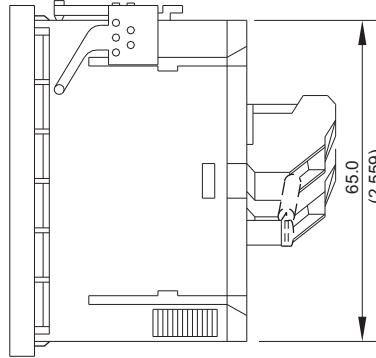
MOUNTING CUTOUT

**NOTES:**

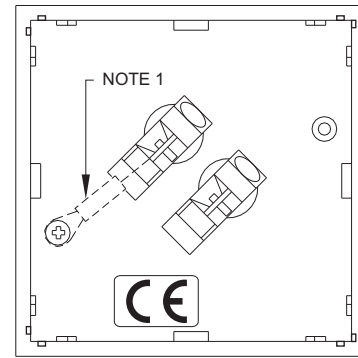
1. PGA-05CV CONVERSION KIT ONLY REQUIRED WHEN CONNECTED TO 0-5 V ANALOG OUTPUT. SEE PGA-05CV INSTALLATION DETAIL.
2. DIMENSIONS IN MILLIMETRES (INCHES).



FRONT

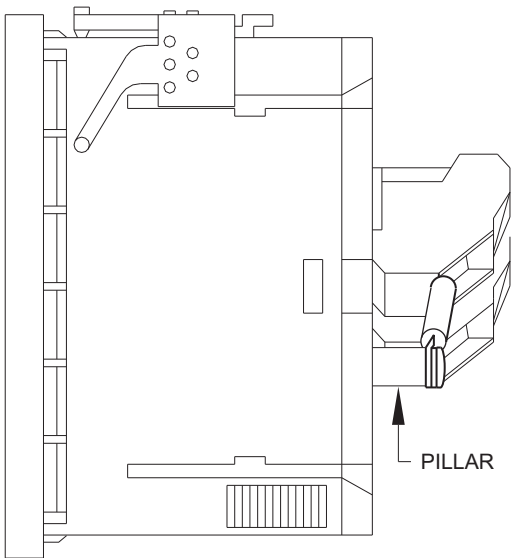


SIDE

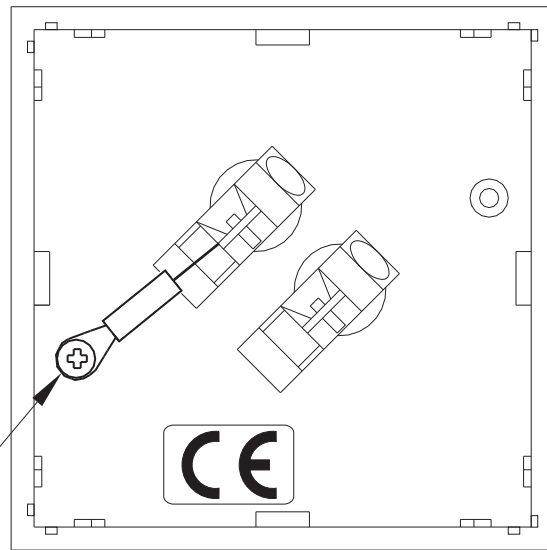


REAR

**PGA-0500 ANALOG PERCENT CURRENT METER**



SIDE



REAR

**NOTES:**

1. INSTALLATION INSTRUCTIONS:
  - LOOSEN TERMINAL BLOCK SCREW.
  - INSERT RESISTOR ASSEMBLY LEAD INTO TERMINAL.
  - POSITION RESISTOR ASSEMBLY LUG OVER PILLAR.
  - FASTEN TO PILLAR USING LOCK WASHER AND SCREW PROVIDED.
  - TIGHTEN TERMINAL BLOCK SCREW.

**ATTENTION:** PGA-05CV SHOULD ONLY BE INSTALLED WHEN PGA-0500 IS USED WITH 0-5 V ANALOG OUTPUT

**PGA-05CV INSTALLATION DETAIL**