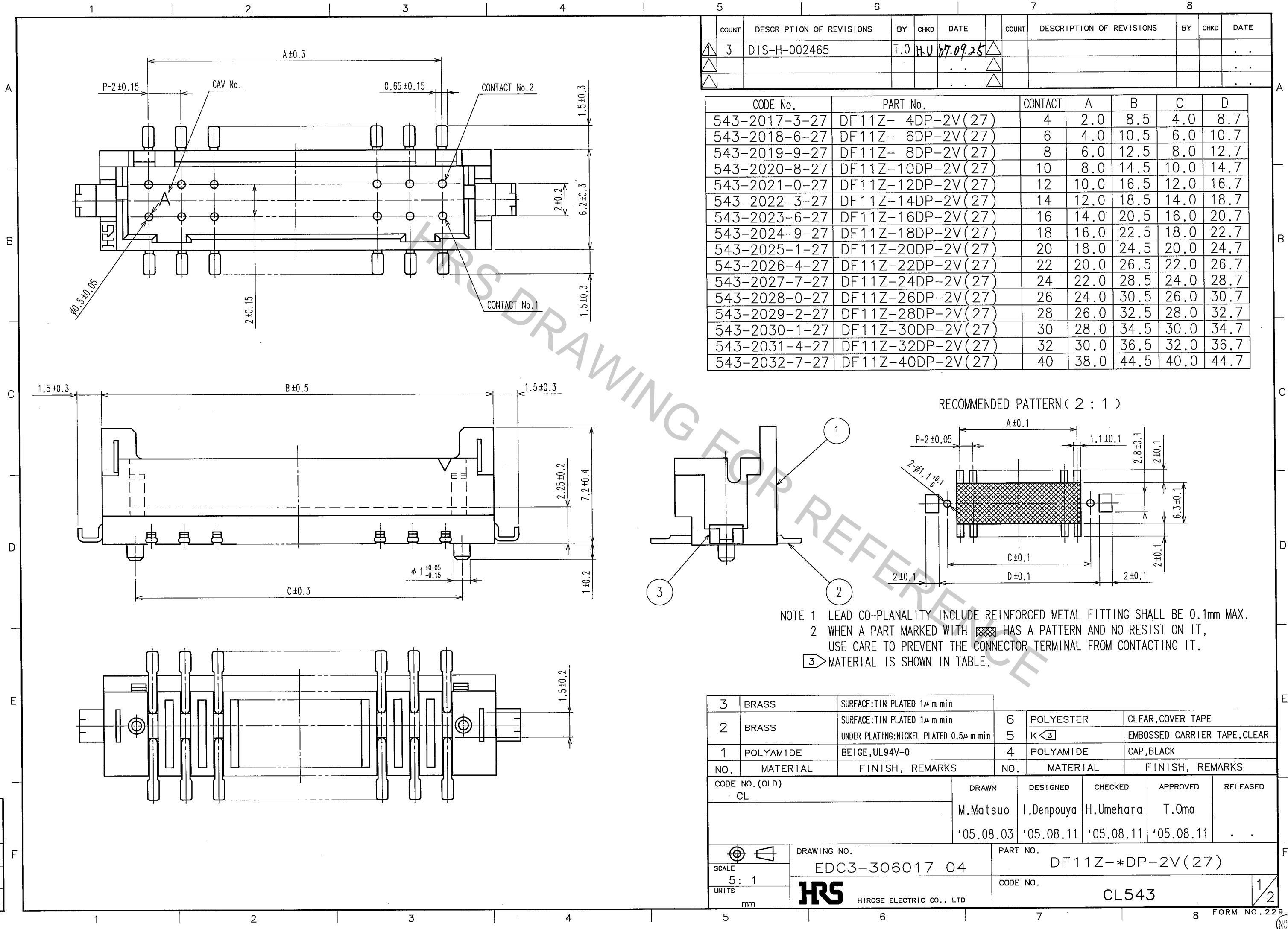
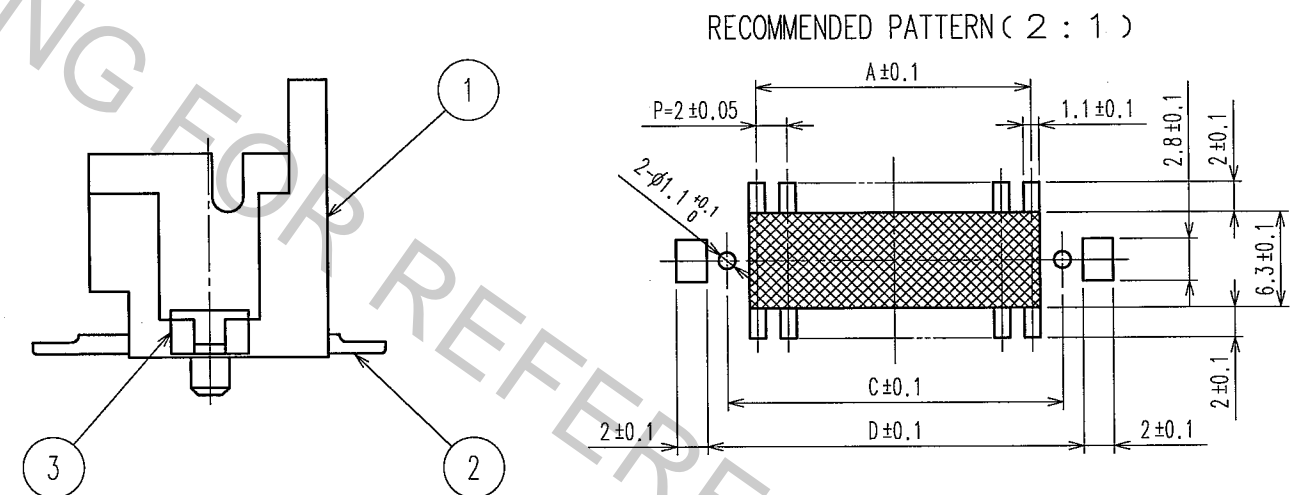


Apr.1.2017 Copyright 2017 HIROSE ELECTRIC CO., LTD. All Rights Reserved.



| COUNT | DESCRIPTION OF REVISIONS | BY  | CHKD | DATE     | COUNT | DESCRIPTION OF REVISIONS | BY | CHKD | DATE |
|-------|--------------------------|-----|------|----------|-------|--------------------------|----|------|------|
| 3     | DIS-H-002465             | T.O | H.U  | 07.09.25 |       |                          |    |      |      |

| CODE No.      | PART No.          | CONTACT | A    | B    | C    | D    |
|---------------|-------------------|---------|------|------|------|------|
| 543-2017-3-27 | DF11Z- 4DP-2V(27) | 4       | 2.0  | 8.5  | 4.0  | 8.7  |
| 543-2018-6-27 | DF11Z- 6DP-2V(27) | 6       | 4.0  | 10.5 | 6.0  | 10.7 |
| 543-2019-9-27 | DF11Z- 8DP-2V(27) | 8       | 6.0  | 12.5 | 8.0  | 12.7 |
| 543-2020-8-27 | DF11Z-10DP-2V(27) | 10      | 8.0  | 14.5 | 10.0 | 14.7 |
| 543-2021-0-27 | DF11Z-12DP-2V(27) | 12      | 10.0 | 16.5 | 12.0 | 16.7 |
| 543-2022-3-27 | DF11Z-14DP-2V(27) | 14      | 12.0 | 18.5 | 14.0 | 18.7 |
| 543-2023-6-27 | DF11Z-16DP-2V(27) | 16      | 14.0 | 20.5 | 16.0 | 20.7 |
| 543-2024-9-27 | DF11Z-18DP-2V(27) | 18      | 16.0 | 22.5 | 18.0 | 22.7 |
| 543-2025-1-27 | DF11Z-20DP-2V(27) | 20      | 18.0 | 24.5 | 20.0 | 24.7 |
| 543-2026-4-27 | DF11Z-22DP-2V(27) | 22      | 20.0 | 26.5 | 22.0 | 26.7 |
| 543-2027-7-27 | DF11Z-24DP-2V(27) | 24      | 22.0 | 28.5 | 24.0 | 28.7 |
| 543-2028-0-27 | DF11Z-26DP-2V(27) | 26      | 24.0 | 30.5 | 26.0 | 30.7 |
| 543-2029-2-27 | DF11Z-28DP-2V(27) | 28      | 26.0 | 32.5 | 28.0 | 32.7 |
| 543-2030-1-27 | DF11Z-30DP-2V(27) | 30      | 28.0 | 34.5 | 30.0 | 34.7 |
| 543-2031-4-27 | DF11Z-32DP-2V(27) | 32      | 30.0 | 36.5 | 32.0 | 36.7 |
| 543-2032-7-27 | DF11Z-40DP-2V(27) | 40      | 38.0 | 44.5 | 40.0 | 44.7 |



NOTE 1 LEAD CO-PLANALITY INCLUDE REINFORCED METAL FITTING SHALL BE 0.1mm MAX.  
 2 WHEN A PART MARKED WITH HAS A PATTERN AND NO RESIST ON IT, USE CARE TO PREVENT THE CONNECTOR TERMINAL FROM CONTACTING IT.  
 3 MATERIAL IS SHOWN IN TABLE.

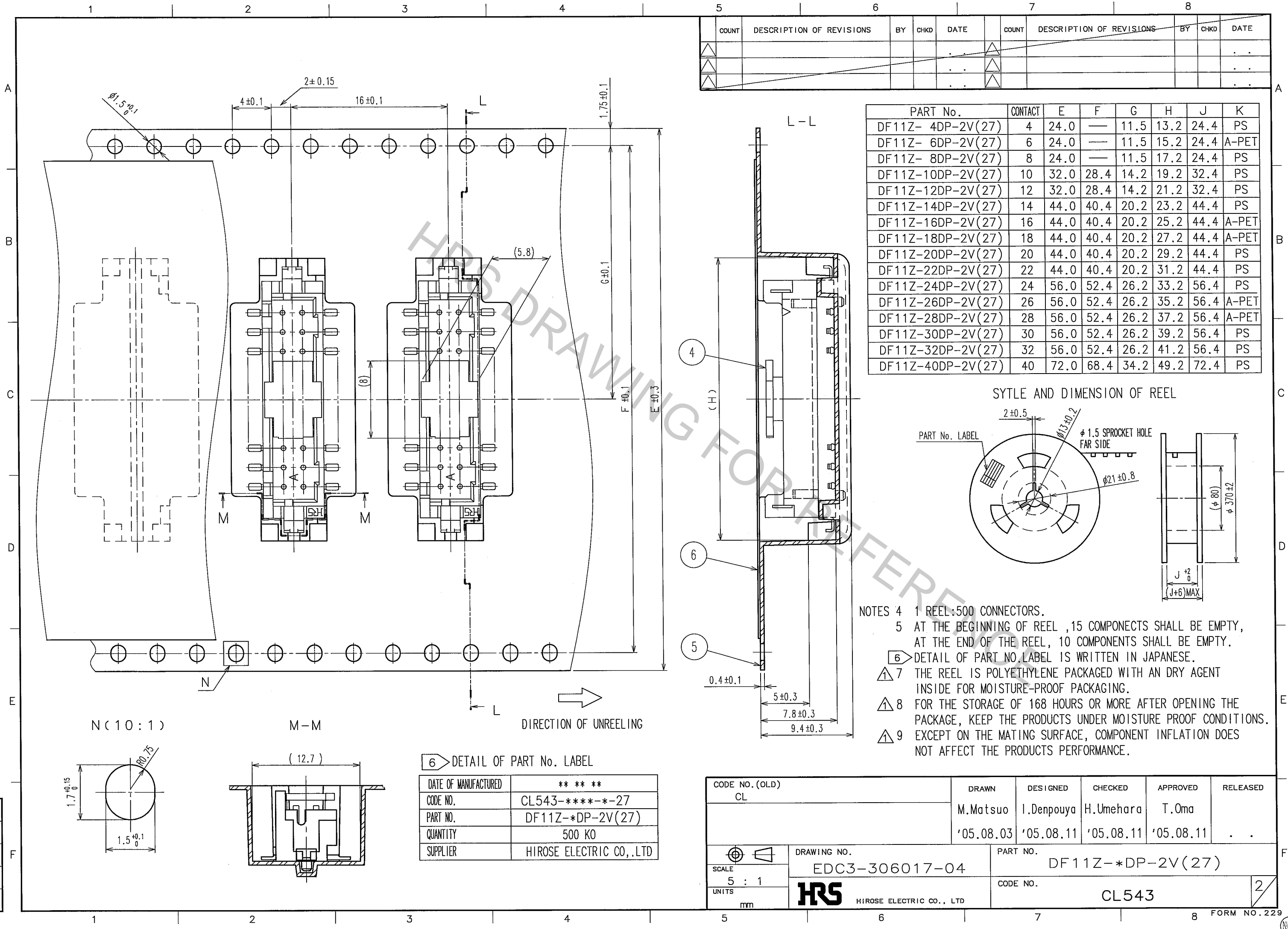
| 3   | BRASS     | SURFACE:TIN PLATED $1\mu$ m min   | 6   | POLYESTER | CLEAR, COVER TAPE            |
|-----|-----------|---|-----|-----------|------------------------------|
| 2   | BRASS     | SURFACE:TIN PLATED $1\mu$ m min<br>UNDER PLATING:NICKEL PLATED $0.5\mu$ m min | 5   | K<3       | EMBOSSED CARRIER TAPE, CLEAR |
| 1   | POLYAMIDE | BEIGE, UL94V-0  | 4   | POLYAMIDE | CAP, BLACK                   |
| NO. | MATERIAL  | FINISH, REMARKS   | NO. | MATERIAL  | FINISH, REMARKS              |

| CODE NO. (OLD) | DRAWN     | DESIGNED   | CHECKED   | APPROVED  | RELEASED |
|----------------|-----------|------------|-----------|-----------|----------|
| CL             | M.Matsuo  | I.Denpouya | H.Umehara | T.Oma     |          |
|                | '05.08.03 | '05.08.11  | '05.08.11 | '05.08.11 |          |

|       |                          |                  |
|-------|--------------------------|------------------|
| SCALE | DRAWING NO.              | PART NO.         |
| 5 : 1 | EDC3-306017-04           | DF11Z-*DP-2V(27) |
| UNITS | HIROSE ELECTRIC CO., LTD | CODE NO.         |
| mm    |                          | CL543            |

|    |
|----|
| TO |
|    |
|    |
|    |

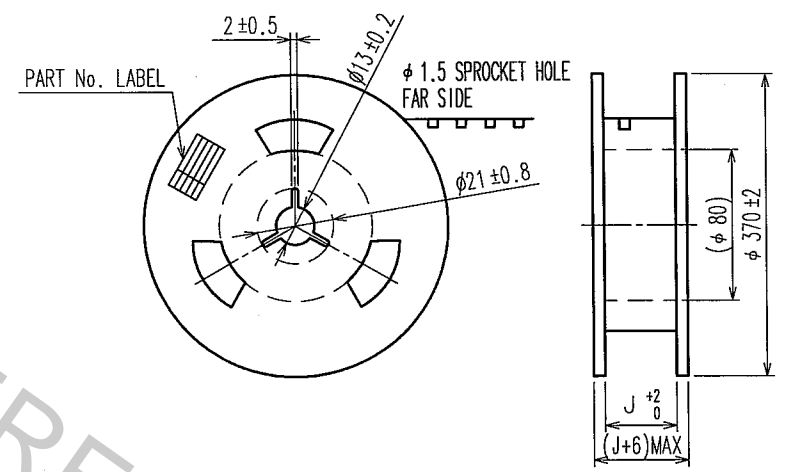
Apr.1.2017 Copyright 2017 HIROSE ELECTRIC CO., LTD. All Rights Reserved.



| COUNT | DESCRIPTION OF REVISIONS | BY | CHKD | DATE | COUNT | DESCRIPTION OF REVISIONS | BY | CHKD | DATE |
|-------|--------------------------|----|------|------|-------|--------------------------|----|------|------|
|       |                          |    |      |      |       |                          |    |      |      |
|       |                          |    |      |      |       |                          |    |      |      |
|       |                          |    |      |      |       |                          |    |      |      |

| PART No.          | CONTACT | E    | F    | G    | H    | J    | K     |
|-------------------|---------|------|------|------|------|------|-------|
| DF11Z- 4DP-2V(27) | 4       | 24.0 | —    | 11.5 | 13.2 | 24.4 | PS    |
| DF11Z- 6DP-2V(27) | 6       | 24.0 | —    | 11.5 | 15.2 | 24.4 | A-PET |
| DF11Z- 8DP-2V(27) | 8       | 24.0 | —    | 11.5 | 17.2 | 24.4 | PS    |
| DF11Z-10DP-2V(27) | 10      | 32.0 | 28.4 | 14.2 | 19.2 | 32.4 | PS    |
| DF11Z-12DP-2V(27) | 12      | 32.0 | 28.4 | 14.2 | 21.2 | 32.4 | PS    |
| DF11Z-14DP-2V(27) | 14      | 44.0 | 40.4 | 20.2 | 23.2 | 44.4 | PS    |
| DF11Z-16DP-2V(27) | 16      | 44.0 | 40.4 | 20.2 | 25.2 | 44.4 | A-PET |
| DF11Z-18DP-2V(27) | 18      | 44.0 | 40.4 | 20.2 | 27.2 | 44.4 | A-PET |
| DF11Z-20DP-2V(27) | 20      | 44.0 | 40.4 | 20.2 | 29.2 | 44.4 | PS    |
| DF11Z-22DP-2V(27) | 22      | 44.0 | 40.4 | 20.2 | 31.2 | 44.4 | PS    |
| DF11Z-24DP-2V(27) | 24      | 56.0 | 52.4 | 26.2 | 33.2 | 56.4 | PS    |
| DF11Z-26DP-2V(27) | 26      | 56.0 | 52.4 | 26.2 | 35.2 | 56.4 | A-PET |
| DF11Z-28DP-2V(27) | 28      | 56.0 | 52.4 | 26.2 | 37.2 | 56.4 | A-PET |
| DF11Z-30DP-2V(27) | 30      | 56.0 | 52.4 | 26.2 | 39.2 | 56.4 | PS    |
| DF11Z-32DP-2V(27) | 32      | 56.0 | 52.4 | 26.2 | 41.2 | 56.4 | PS    |
| DF11Z-40DP-2V(27) | 40      | 72.0 | 68.4 | 34.2 | 49.2 | 72.4 | PS    |

STYLE AND DIMENSION OF REEL



- NOTES
- 4 1 REEL:500 CONNECTORS.
  - 5 AT THE BEGINNING OF REEL ,15 COMPONECTS SHALL BE EMPTY, AT THE END OF THE REEL, 10 COMPONENTS SHALL BE EMPTY.
  - 6 DETAIL OF PART No. LABEL IS WRITTEN IN JAPANESE.
  - 7 THE REEL IS POLYETHYLENE PACKAGED WITH AN DRY AGENT INSIDE FOR MOISTURE-PROOF PACKAGING.
  - 8 FOR THE STORAGE OF 168 HOURS OR MORE AFTER OPENING THE PACKAGE, KEEP THE PRODUCTS UNDER MOISTURE PROOF CONDITIONS.
  - 9 EXCEPT ON THE MATING SURFACE, COMPONENT INFLATION DOES NOT AFFECT THE PRODUCTS PERFORMANCE.

6 DETAIL OF PART No. LABEL

|                      |                         |
|----------------------|-------------------------|
| DATE OF MANUFACTURED | ** ** *                 |
| CODE NO.             | CL543-*****-27          |
| PART NO.             | DF11Z-*DP-2V(27)        |
| QUANTITY             | 500 KO                  |
| SUPPLIER             | HIROSE ELECTRIC CO.,LTD |

|                               |                              |                        |                      |                   |               |
|-------------------------------|------------------------------|------------------------|----------------------|-------------------|---------------|
| CODE NO. (OLD)<br>CL          | DRAWN<br>M.Matsuo            | DESIGNED<br>I.Denpouya | CHECKED<br>H.Umehara | APPROVED<br>T.Oma | RELEASED<br>. |
|                               | '05.08.03                    | '05.08.11              | '05.08.11            | '05.08.11         | .             |
| DRAWING NO.<br>EDC3-306017-04 | PART NO.<br>DF11Z-*DP-2V(27) |                        |                      |                   |               |
| SCALE<br>5 : 1                | CODE NO.<br>CL543            |                        |                      |                   |               |
| UNITS<br>mm                   | 2                            |                        |                      |                   |               |