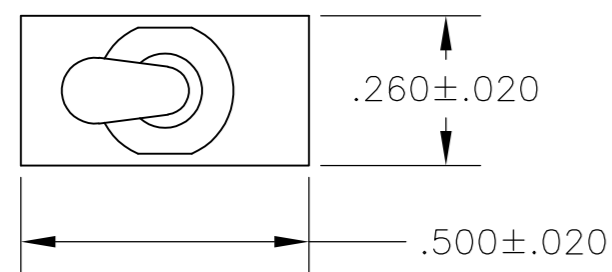
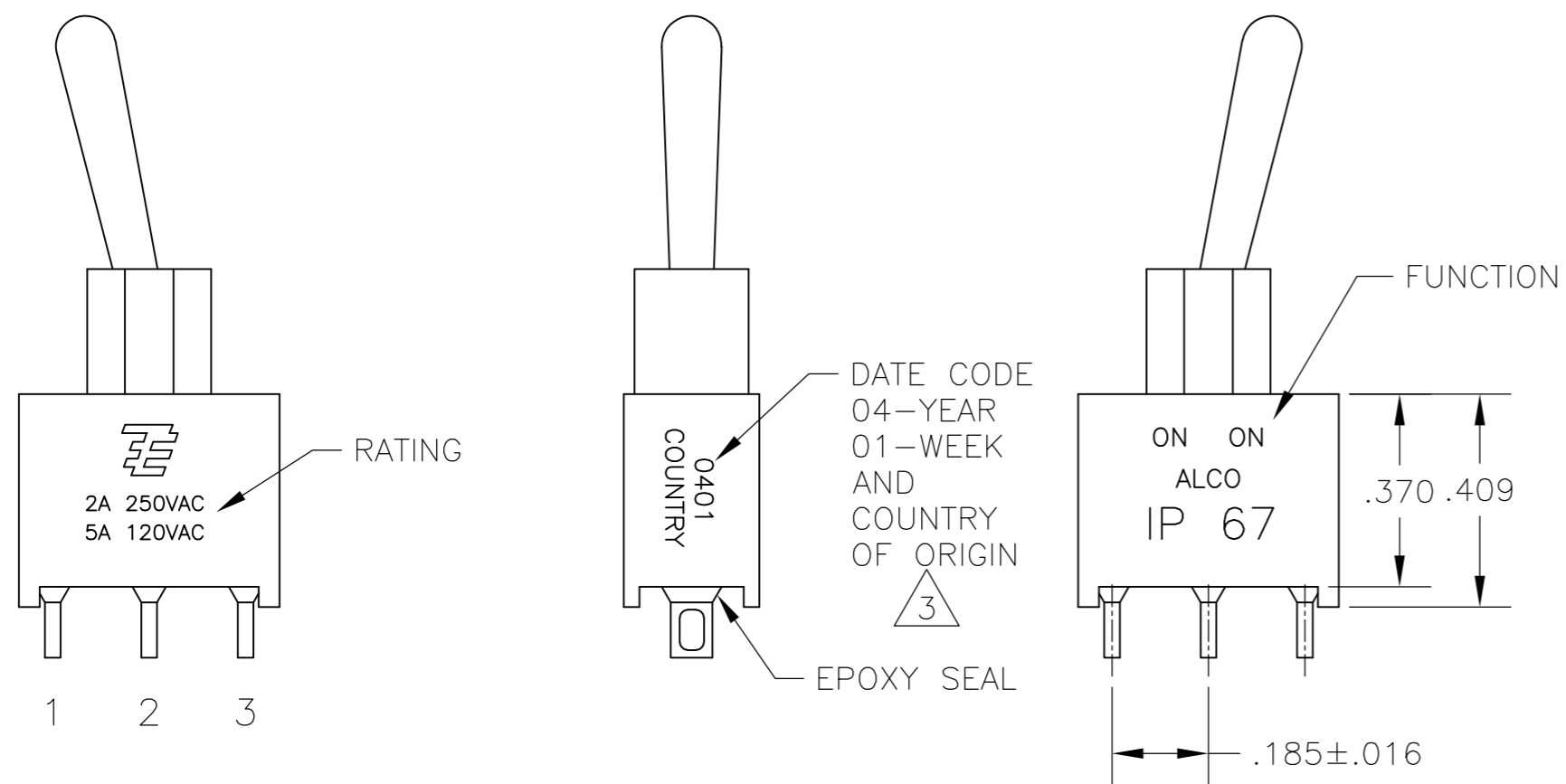


THIS DRAWING IS UNPUBLISHED. RELEASED FOR PUBLICATION
 © COPYRIGHT BY TYCO ELECTRONICS CORPORATION. ALL RIGHTS RESERVED.

LOC	DIST	REVISIONS					
AD	00	P	LTR	DESCRIPTION	DATE	DWN	APVD
		A3		REVISED PER ECO-10-009310	08MAY10	HMR	MW



- 1 ALL MATERIALS AND FINISHES SHALL COMPLY WITH EU DIRECTIVE 2002/95/EC OF 27JAN2003 (ROHS).
- 2 G CONTACT OPTION CAN BE USED FOR SIGNAL OR POWER LEVEL SWITCHING. IF SWITCH IS USED AT LEVELS EXCEEDING .4VA @ 20V AC/DC, SWITCH IS RENDERED FOR POWER SWITCHING ONLY DUE TO ARC REMOVAL OF GOLD PLATING. RATING STAMPED ON SWITCH IS 2A 250VAC, 5A 120VAC.
- 3 SWITCHES MEETS REQUIREMENTS OF IP67.
- 4 DATE CODE AND COUNTRY OF ORIGIN MAY APPEAR ON EITHER SIDE OF SWITCH.



FUNCTION	1 2 3	1 2 3	1 2 3
01	ON	NONE	ON
03	ON	OFF	ON
05	(ON)	OFF	(ON)
07	ON	OFF	(ON)
08	ON	NONE	(ON)
TERMINALS CONNECTED	2-3	---	1-2

NONE: NO MECHANICAL POSITION
 OFF: MECHANICAL POSITION WITH NO MECHANICAL CONNECTION
 (ON): MOMENTARY ACTION

RATING, B CONTACTS	.4VA MAX @20V MAX. AC OR DC
RATING, G CONTACTS—SEE NOTE 2	.4VA MAX @20V MAX. AC OR DC OR
	5A @120 VAC OR 28 VDC (RESISTIVE)
RATING, Q CONTACTS	2A @250 VAC (RESISTIVE)
	5A @120 VAC OR 28 VDC (RESISTIVE)
ELECTRICAL LIFE	6,000 CYCLES AT RATED LOAD
CONTACT RESISTANCE	10 MILLIOHMS MAX INITIAL @ 2-4VDC, 100ma
INSULATION RESISTANCE	1,000 MEGOHMS MIN
DIELECTRIC WITHSTANDING VOLTAGE	1,000 V RMS AT SEA LEVEL
OPERATING TEMPRATURE	-30C TO 85C

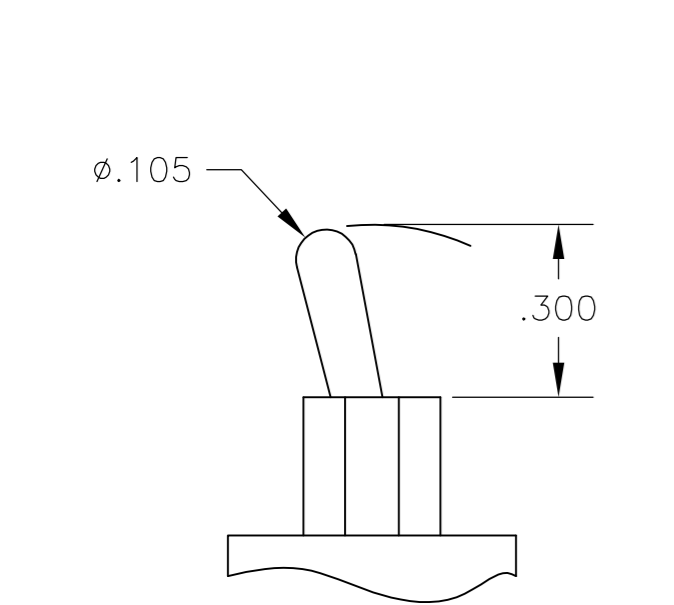
MODEL	FUNCTION	TOGGLE	BUSHING	TERMINAL	CONTACT	RoHS
AE1	01	M	D1	A	B	04
	03	S		AV2	G	
	05			C	Q	
	07			V30		
	08			V40		
				W		
				W4		
				Z		
		Z3				

EXAMPLE: AE101SD1CQ04

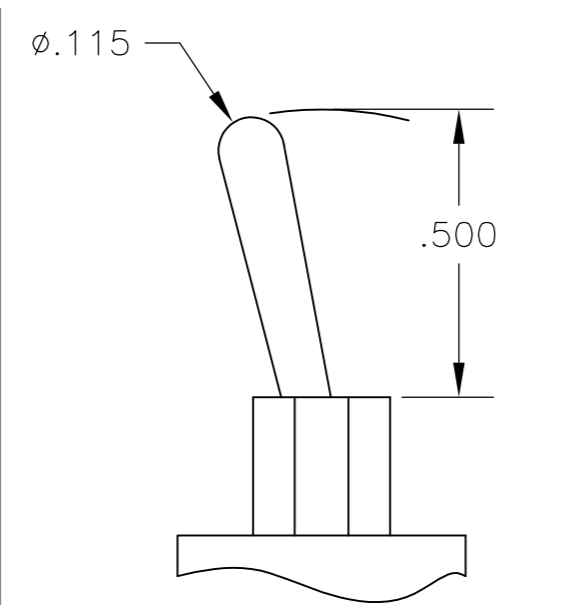
THIS DRAWING IS A CONTROLLED DOCUMENT.		DWN M. ZITTO 18MAY05	Tyco Electronics Corporation Harrisburg, Pa 17105-3608	
DIMENSIONS: INCHES	TOLERANCES UNLESS OTHERWISE SPECIFIED:	CHK M. ZITTO	NAME	
	0 PLC ± -	APVD M. ZITTO	GEMINI AE SERIES TOGGLE SWITCH, SINGLE POLE	
	1 PLC ± -	PRODUCT SPEC	SIZE	CAGE CODE
	2 PLC ± -	APPLICATION SPEC	A2	00779
	3 PLC ± .010		DRAWING NO	RESTRICTED TO
4 PLC ± -	ANGLES ± 2°	WEIGHT -	C=1825142	
MATERIAL -	FINISH -	CUSTOMER DRAWING	SCALE 3:1	SHEET 1 of 3
			REV A3	

THIS DRAWING IS UNPUBLISHED. RELEASED FOR PUBLICATION
 © COPYRIGHT BY TYCO ELECTRONICS CORPORATION. ALL RIGHTS RESERVED.

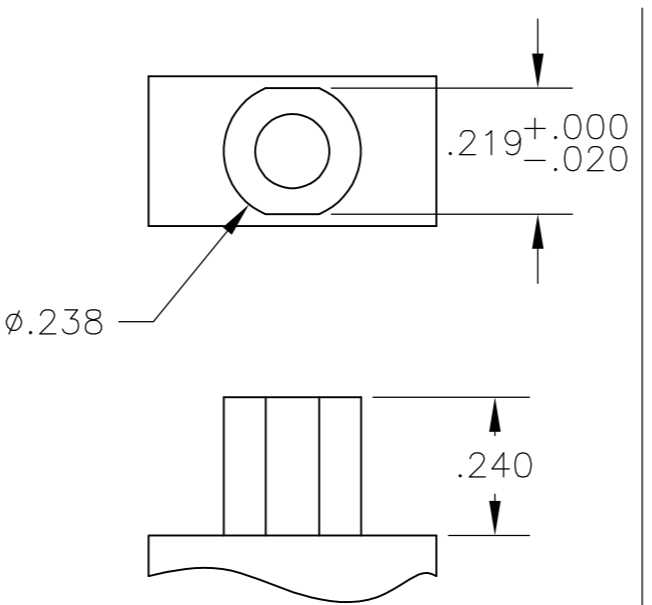
LOC		DIST		REVISIONS			
AD	00	P	LTR	DESCRIPTION	DATE	DWN	APVD
				SEE SHEET 1			



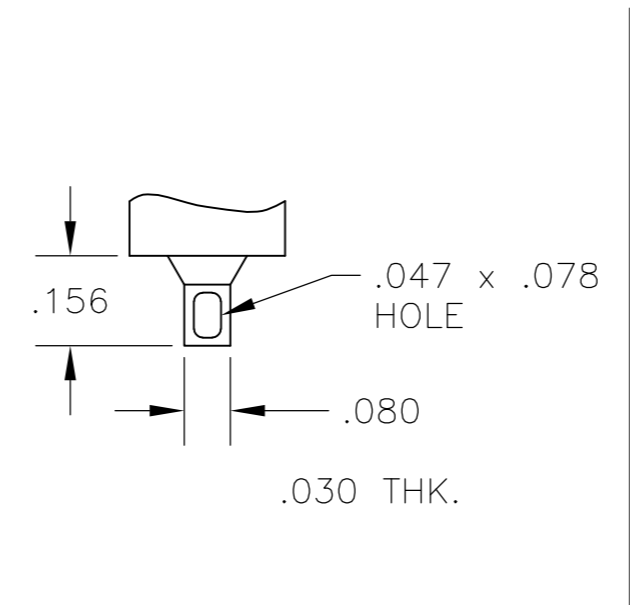
M SHORT



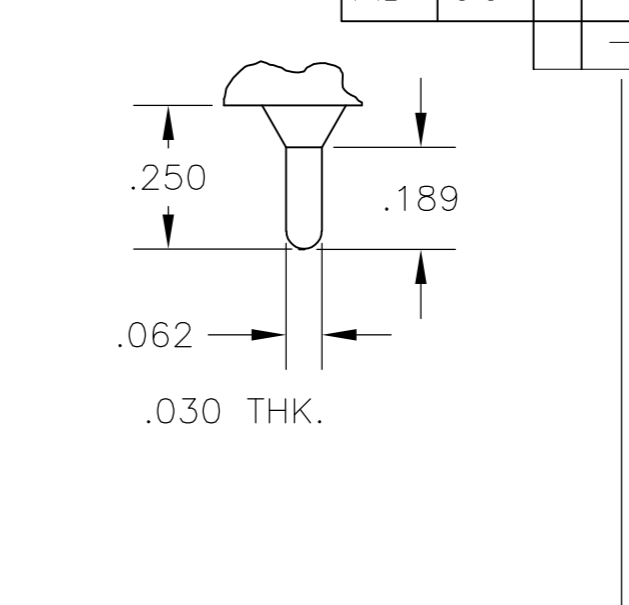
S STANDARD



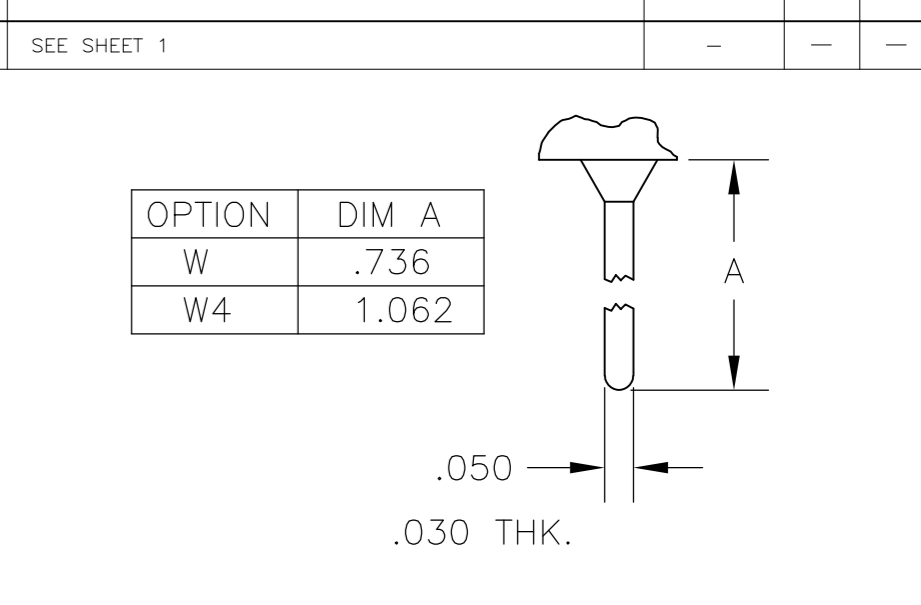
D1 BUSHING



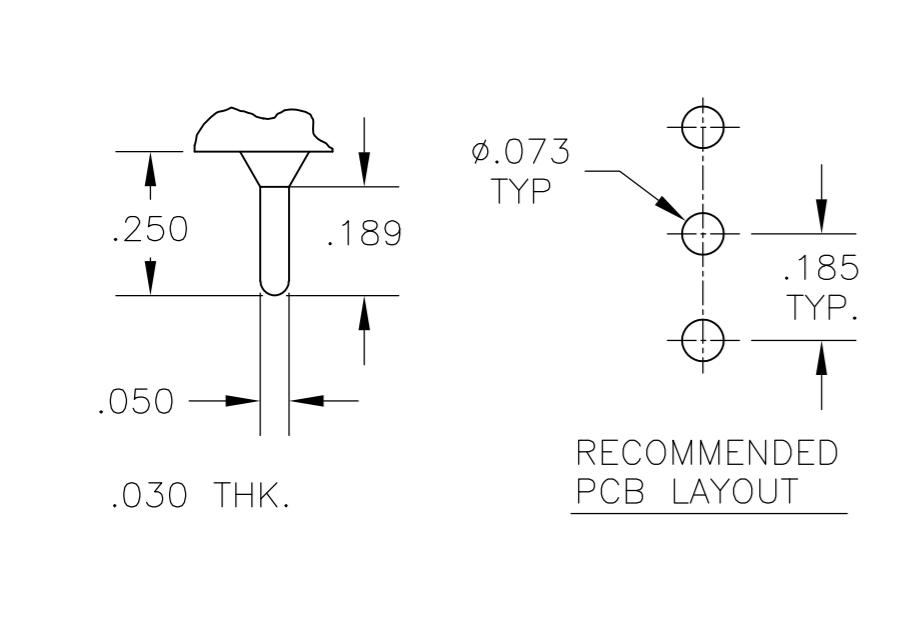
Z WIRE LUG



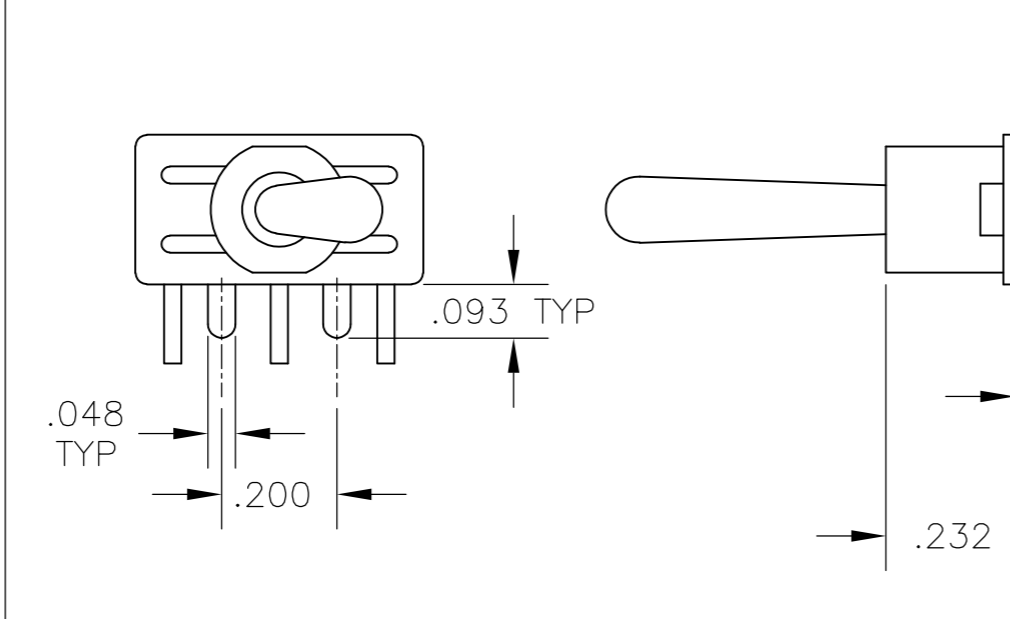
Z3 QUICK CONNECT



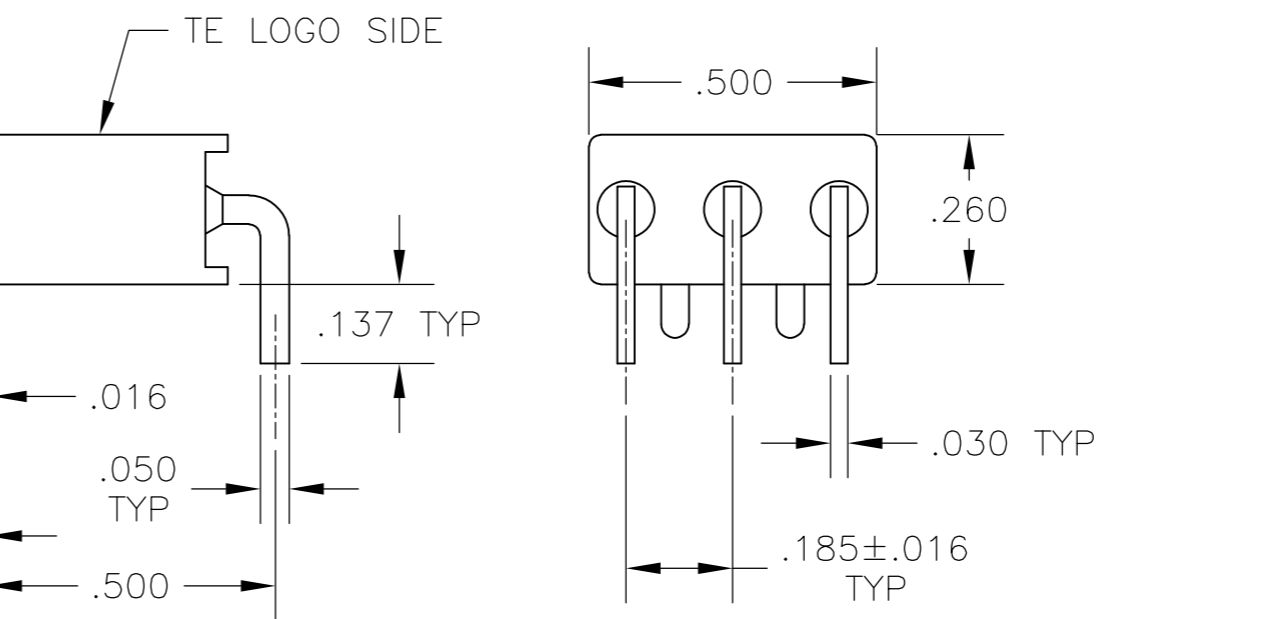
W W4 WIRE WRAP



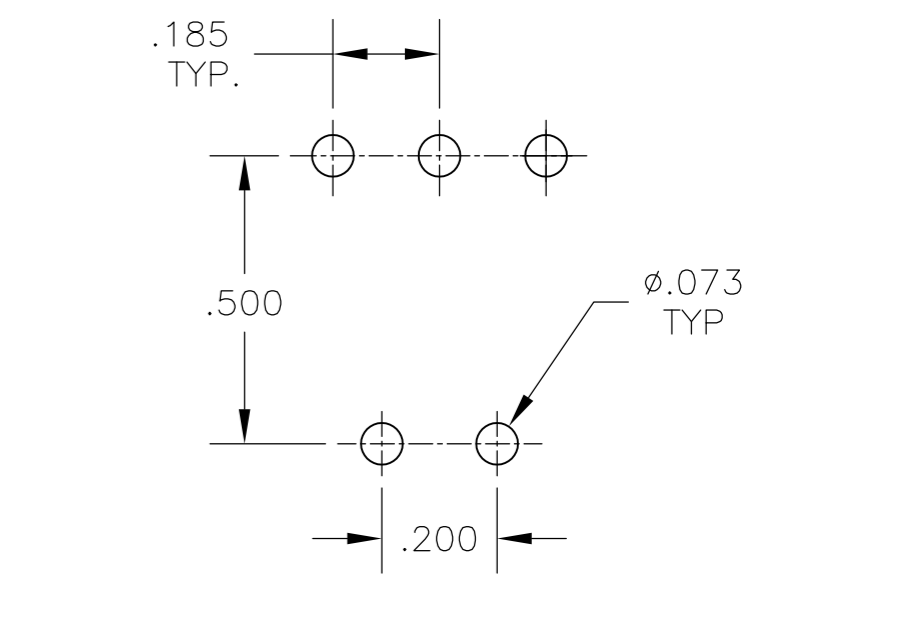
C PRINTED CIRCUIT



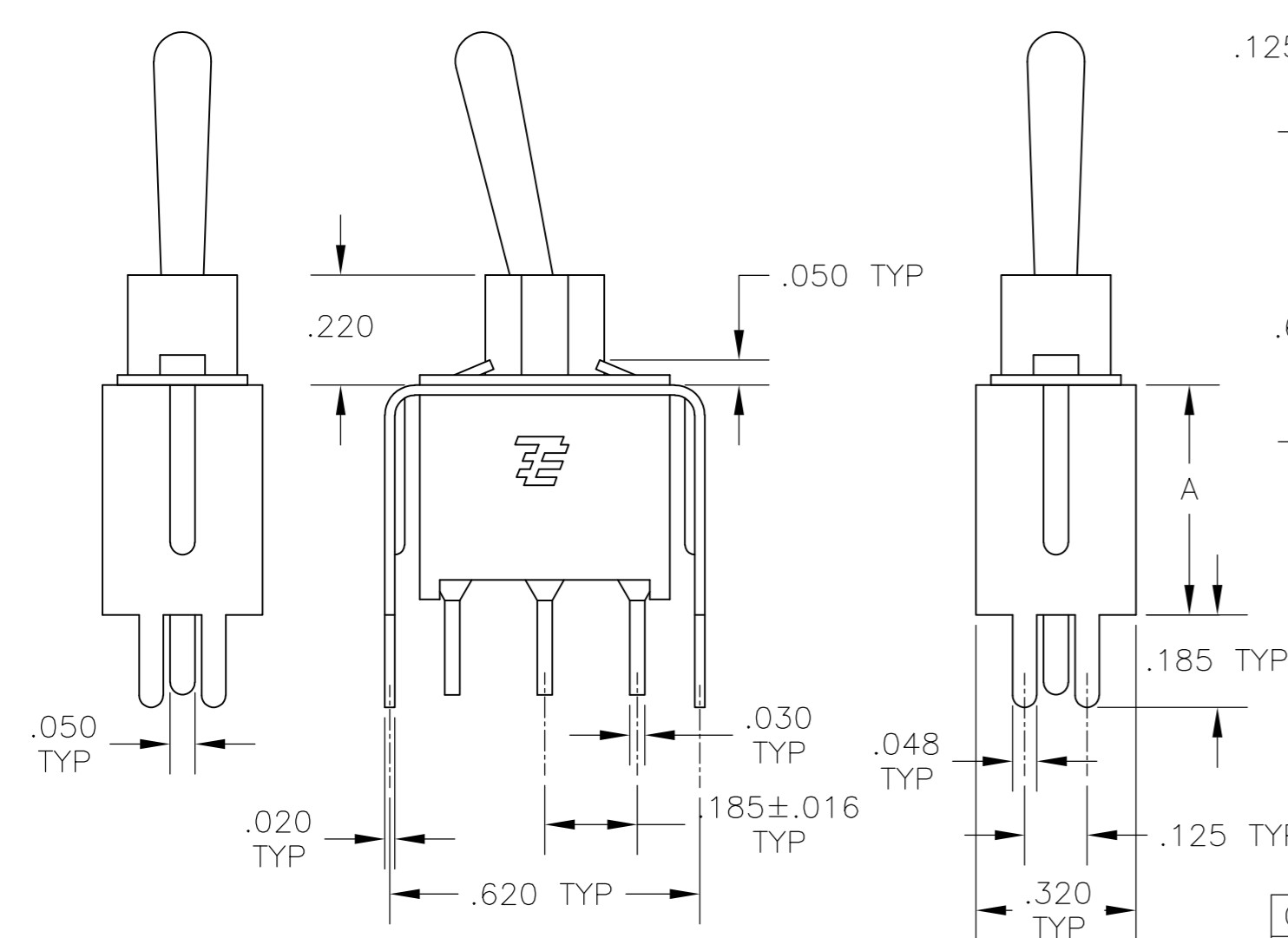
A RIGHT ANGLE



AV2 VERTICAL RIGHT ANGLE



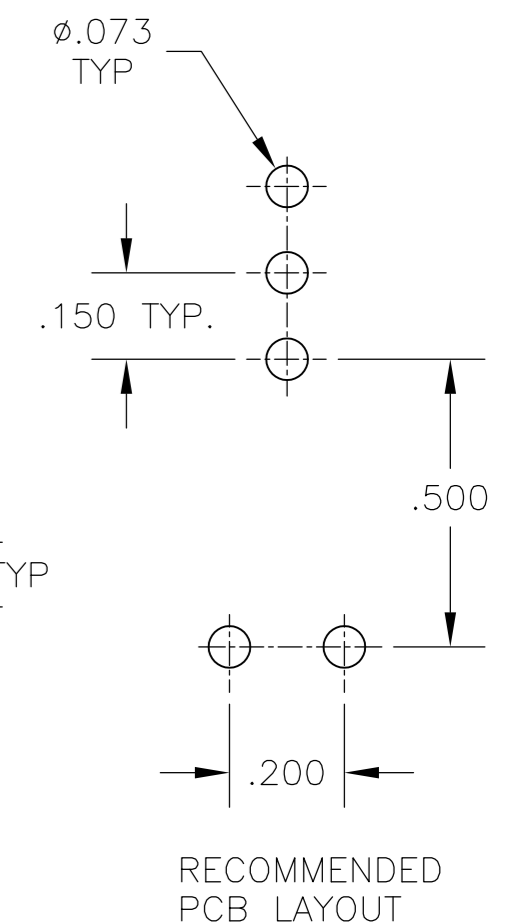
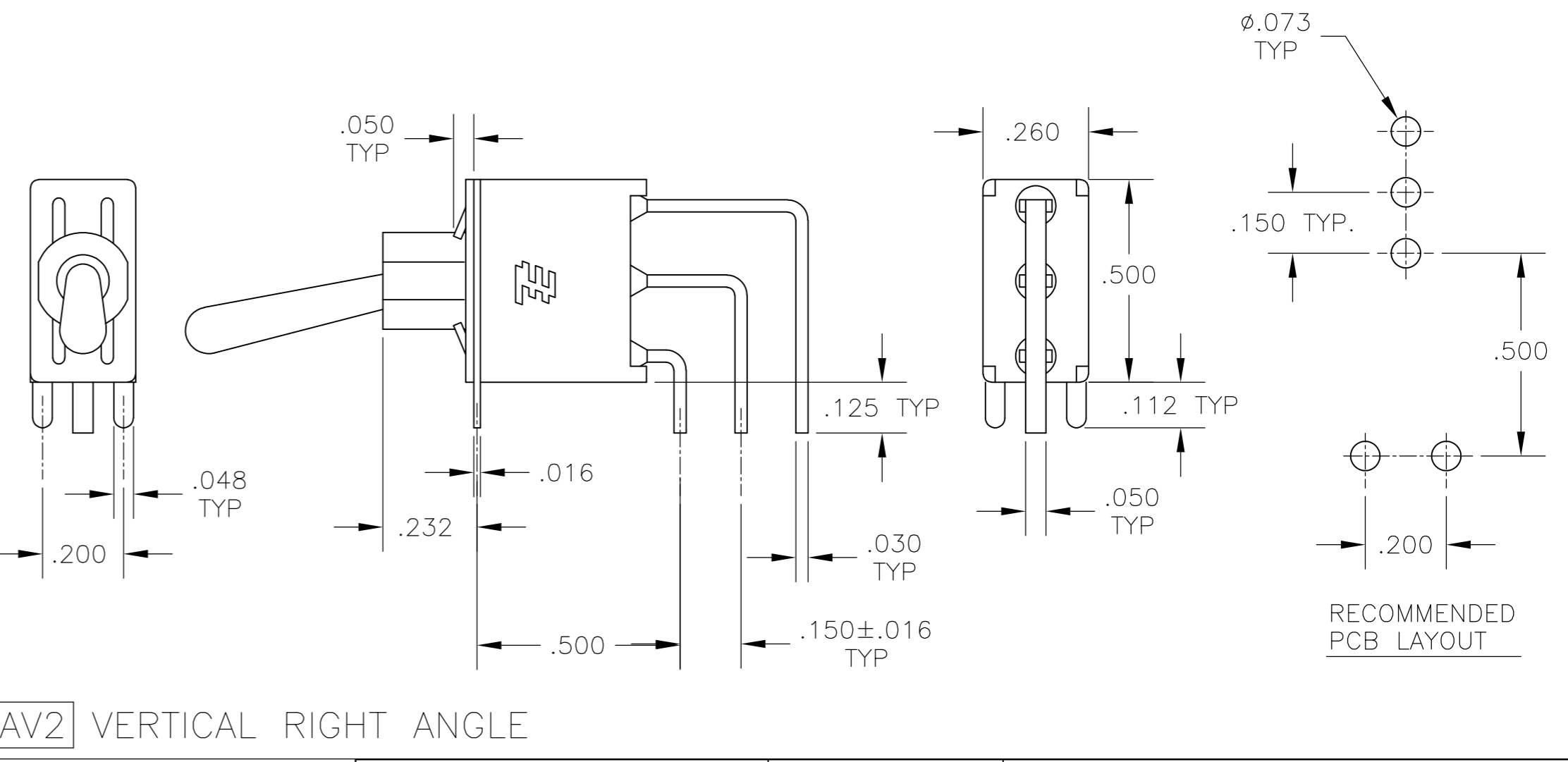
RECOMMENDED PCB LAYOUT



V30 V40 VERTICAL SUPPORT BRACKET

OPTION	DIM A
V30	.460
V40	.630

RECOMMENDED PCB LAYOUT



RECOMMENDED PCB LAYOUT

THIS DRAWING IS A CONTROLLED DOCUMENT.

DWN	M. ZITTO	18MAY05
CHK	M. ZITTO	-
APVD	M. ZITTO	-
PRODUCT SPEC	-	-
APPLICATION SPEC	-	-
WEIGHT	-	-
CUSTOMER DRAWING	-	-

TOLERANCES UNLESS OTHERWISE SPECIFIED:
 0 PLC ± -
 1 PLC ± -
 2 PLC ± -
 3 PLC ± .010
 4 PLC ± -
 ANGLES ± 2°
 FINISH -

Tyco Electronics Tyco Electronics Corporation
 Harrisburg, Pa 17105-3608

NAME: GEMINI AE SERIES TOGGLE SWITCH, SINGLE POLE

SIZE	CAGE CODE	DRAWING NO	RESTRICTED TO
A2	00779	C=1825142	-

SCALE: 3:1 SHEET: 2 of 3 REV: A3

THIS DRAWING IS UNPUBLISHED. RELEASED FOR PUBLICATION
 © COPYRIGHT BY TYCO ELECTRONICS CORPORATION. ALL RIGHTS RESERVED.

LOC	DIST	REVISIONS			
P	LTR	DESCRIPTION	DATE	DWN	APVD
AD	00	SEE SHEET 1	-	-	-

Alco P/N	TE P/N
AE101MD1AB04	1825142-1
AE101MD1AG04	1825142-2
not assigned	1825142-3
AE101MD1AQ04	1825142-4
AE101MD1AV2B04	1825142-5
AE101MD1AV2Q04	1825142-6
not assigned	1825142-7
AE101MD1CB04	1825142-8
AE101MD1CG04	1825142-9
AE101MD1CQ04	1-1825142-0
AE101MD1V30B04	1-1825142-1
AE101MD1V30Q04	1-1825142-2
AE101MD1W4B04	1-1825142-3
AE101MD1W4Q04	1-1825142-4
AE101SD1AB04	1-1825142-5
AE101SD1AQ04	1-1825142-6
not assigned	1-1825142-7
AE101SD1AV2B04	1-1825142-8
AE101SD1AV2Q04	1-1825142-9
AE101SD1CB04	2-1825142-0
AE101SD1CQ04	2-1825142-1
AE101SD1V30B04	2-1825142-2
AE101SD1V30Q04	2-1825142-3
AE103MD1AB04	2-1825142-4
AE103MD1AV2B04	2-1825142-5
AE103MD1CB04	2-1825142-6
NOT ASSIGNED	2-1825142-7
AE103MD1W4B04	2-1825142-8
AE103SD1AV2B04	2-1825142-9
AE103SD1CB04	3-1825142-0
AE103SD1CQ04	3-1825142-1
not assigned	3-1825142-2
AE103SD1V30B04	3-1825142-3
AE103SD1W4B04	3-1825142-4
AE105MD1AB04	3-1825142-5
AE105MD1AG04	3-1825142-6
AE105MD1AV2B04	3-1825142-7
AE105MD1W4B04	3-1825142-8
AE105SD1CB04	3-1825142-9
AE105SD1V30B04	4-1825142-0

Alco P/N	TE P/N
AE105SD1W4B04	4-1825142-1
AE107MD1AV2B04	4-1825142-2
AE107SD1AB04	4-1825142-3
AE107SD1AG04	4-1825142-4
AE107SD1CB04	4-1825142-5
AE107SD1V30B04	4-1825142-6
AE108MD1AQ04	4-1825142-7
AE108MD1AV2B04	4-1825142-8
AE108MD1AV2Q04	4-1825142-9
AE108SD1AB04	5-1825142-0
AE108SD1AQ04	5-1825142-1
AE108SD1CQ04	5-1825142-2
not assigned	5-1825142-3
AE108SD1V30B04	5-1825142-4
AE108SD1W4B04	5-1825142-5

MATERIALS CHART		
COMPONENT NAME	BASE MATERIAL	FINISH
CASE & BUSHING	NYLON, RED, UL94 V-0	
O-RING	PVC, BLACK	
B TERMINALS & CONTACTS	COPPER	GOLD OVER NICKEL
G TERMINALS & CONTACTS	COPPER	GOLD OVER SILVER
Q TERMINALS & CONTACTS	COPPER	GOLD FLASH OVER SILVER
ACTUATOR	PHENOLIC, BLACK, UL94 V-1	
LEVER	BRASS	CHROME
SPRING	MUSIC WIRE	
PIVOT PIN	STEEL	NICKEL
LOCK WASHER	STAINLESS STEEL	
LOCKING RING	STAINLESS STEEL	
NUTS	BRASS	NICKEL
TERMINAL SEAL	EPOXY, UL94V-0	
MARKING	INK, BLACK	
SUPPORT BRACKET	BRASS OR STEEL	TIN
SUPPORT BRACKET RETAINER	STAINLESS STEEL	

THIS DRAWING IS A CONTROLLED DOCUMENT.		DWN M. ZITTO	18MAY05	Tyco Electronics Corporation Harrisburg, Pa 17105-3608	
DIMENSIONS: INCHES		CHK M. ZITTO	-	NAME GEMINI AE SERIES TOGGLE SWITCH, SINGLE POLE	
		APVD M. ZITTO	-	SIZE A2	
TOLERANCES UNLESS OTHERWISE SPECIFIED:		PRODUCT SPEC	-	CAGE CODE	00779
0 PLC	± -	APPLICATION SPEC	-	DRAWING NO	C=1825142
1 PLC	± -	WEIGHT	-	RESTRICTED TO	-
2 PLC	± -	CUSTOMER DRAWING	-	SCALE	3:1
3 PLC	± .010			SHEET	3 of 3
4 PLC	± -			REV	A3
ANGLES	± 2°				

1825142

A