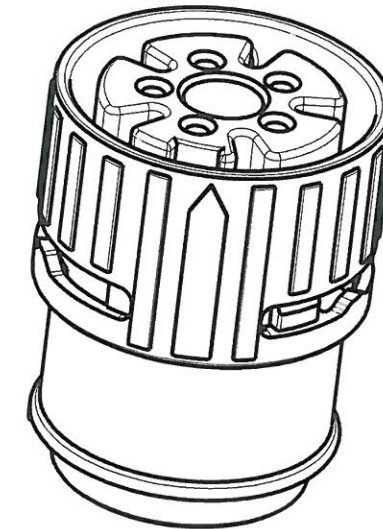
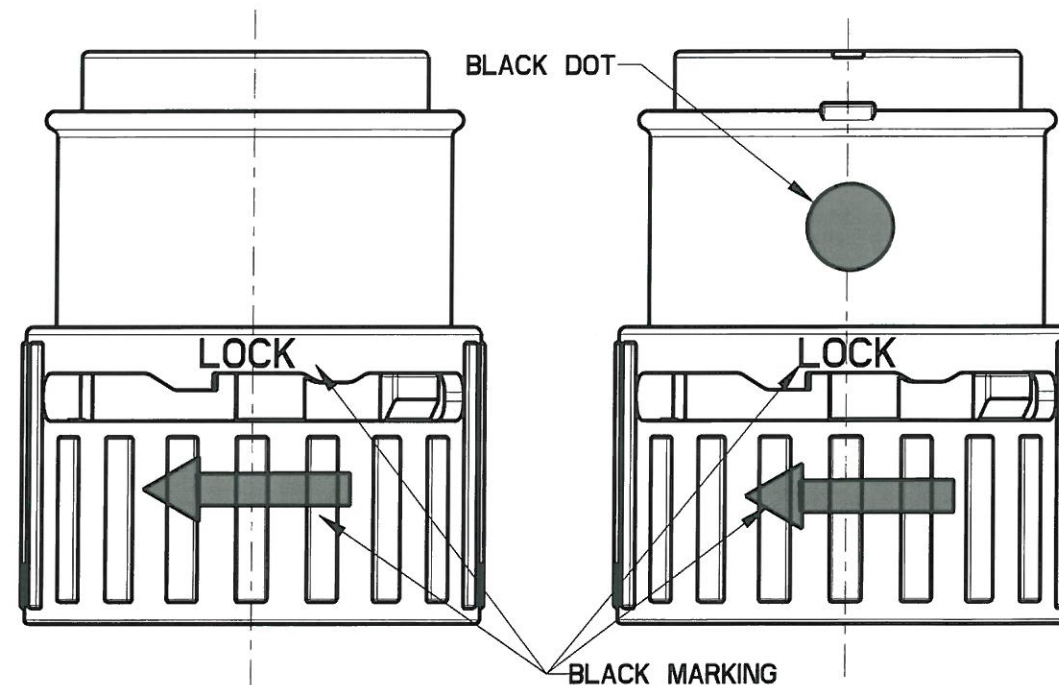
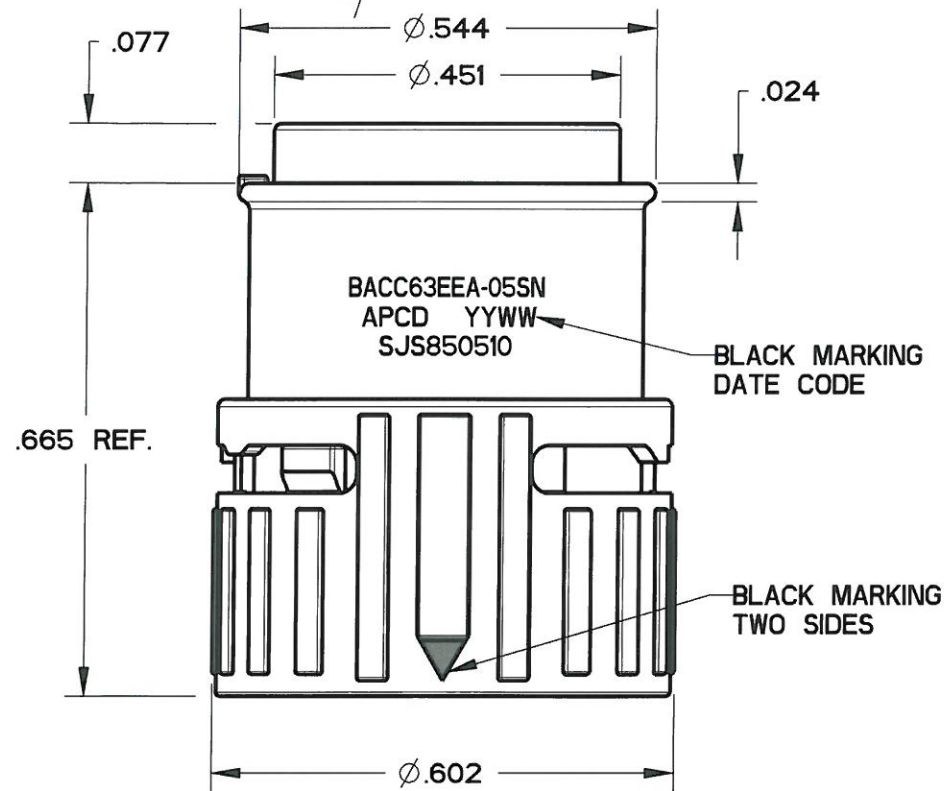
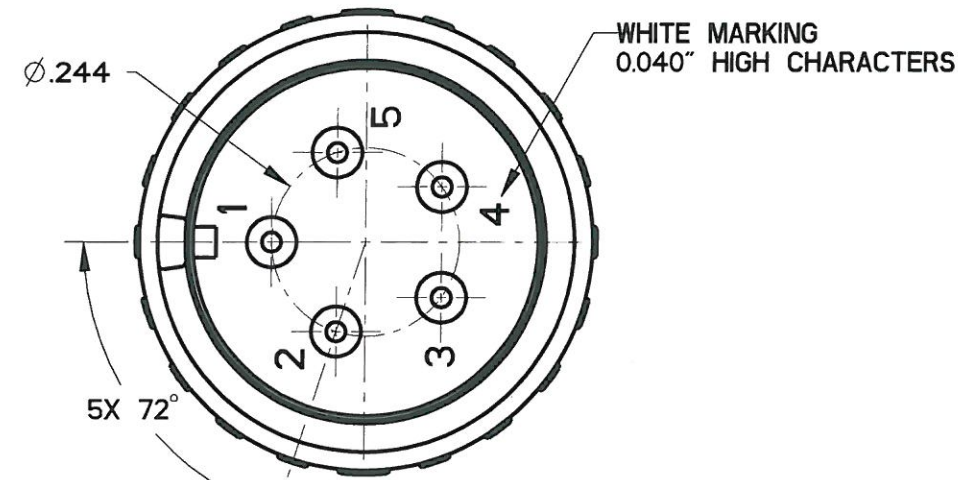


REV	ECN	APP'D
-	6481	JT 2/22/10
A	6487	JT 2/25/10
B	6498	JT 3/08/10
C	6573	JT 8/30/10
D	6655	JT 1/18/11



- NOTES:
- MATERIALS:
HOUSING: PA6/6,
COUPLING NUT: PA6/6,
CONTACT RETAINER: STAINLESS STEEL
GROMMET: SILICONE RUBBER PER A-A-59588,
 - MATING CONTACTS: SEE TABLE I
 - TEST SPECIFICATION: BACC63EE
 - WHEN ASSEMBLED, "LOCK" AND ARROW MARKINGS MUST ALIGN WITH BLACK DOT
 - PART MATES WITH SJS850500 & SJS850520
 - WEIGHT: 2.6 GRAMS
 - SUPPLIED WITH DUST CAP

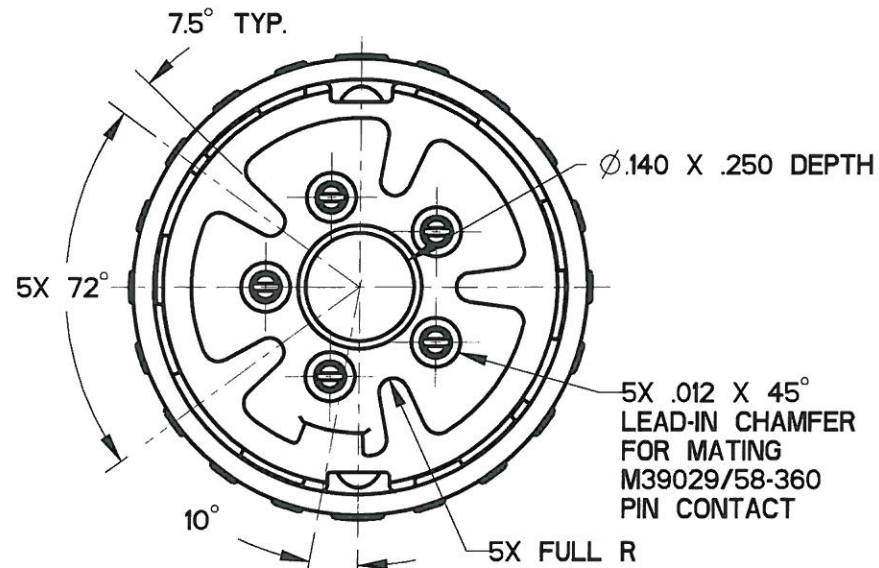


TABLE I

APCD P/N	BOEING P/N	P/N MARKING(S)	CONTACTS SUPPLIED
SJS850510	BACC63EEA-05SNH	BACC63EEA-05SN	NONE
SJS850511	BACC63EEA-05SN	SJS850510	(5) M39029/57-354

DIMENSIONS ANSI Y14.5M UNITS: INCHES Pro/E FILE	TOLERANCES .XX ±0.01 .XXX ±0.005 ANGLES ±1.0°	PROJECTION 	Amphenol Pcd SPECIFICATION DRAWING		TITLE BACC63EEA-05SN 5P SZ22 INLINE WHITE PLUG FOR SJS		
			ENGR Frank.Li 15-Mar-09	CHKD 	APPD 	SIZE B	DWG NO. SJS850510_CE
ORIGINAL 	THIS DOCUMENT CONTAINS PROPRIETARY INFORMATION WHICH IS THE CONFIDENTIAL PROPERTY OF AMPHENOL PCD INC., BEVERLY, MA			CODE: 58982	SCALE: 4:1	SHEET 1 OF 1	

SJS850510

SJS850510