

**EM2505 Series
EuroMag Terminal Blocks**

5.08 Centers; Modular

SPECIFICATIONS

Rating: 16A, 300V

Center Spacing: 0.20" (5.08mm)

Wire Range: #12-26 AWG

Housing Material: UL rated 94V0 Thermoplastic

Contact Material: Brass Tin-Plated

Screw Size: M2.6 Zinc-Plated Steel

Operating Temperature: 105°C (221°F) max., -40°C (-40°F) min.

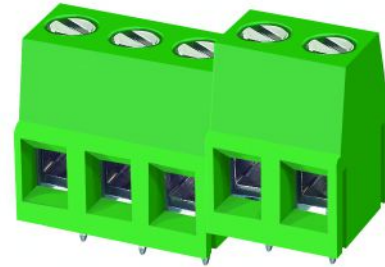
Torque Rating: 5.0 lb-in.

Recommended PCB Hole Diameters: 0.055" (1.40mm)

Construction: Modular design features dovetails for interlocking to achieve longer lengths

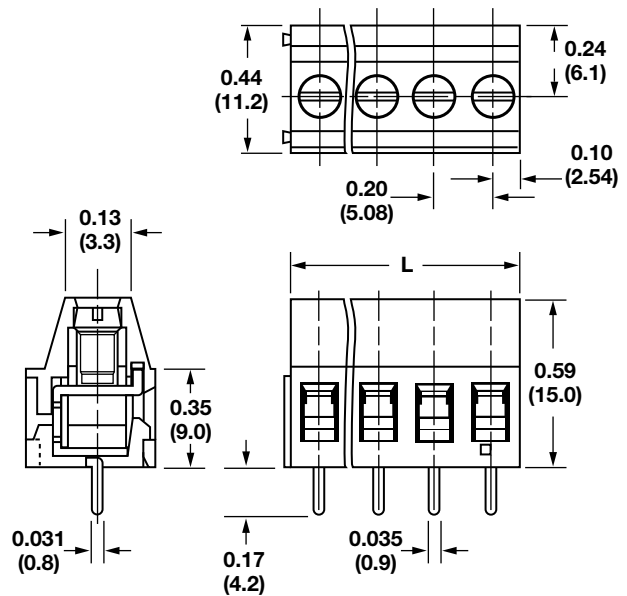
Connector Style: Rising Cage and Screw

Agency Information: File E62622; CE Certified



EM250505V

Dimensions - in (mm)



| Position | L (mm) | Position | L (mm) |
|----------|--------|----------|--------|
| 02 | 10.16 | 14 | 71.12 |
| 03 | 15.24 | 15 | 76.20 |
| 04 | 20.32 | 16 | 81.28 |
| 05 | 25.40 | 17 | 86.36 |
| 06 | 30.48 | 18 | 91.44 |
| 07 | 35.56 | 19 | 96.52 |
| 08 | 40.64 | 20 | 101.60 |
| 09 | 45.72 | 21 | 106.68 |
| 10 | 50.80 | 22 | 111.76 |
| 11 | 55.88 | 23 | 116.84 |
| 12 | 60.96 | 24 | 121.92 |
| 13 | 66.04 | | |

To convert to inches, divide by 25.4

Part Numbering System

| Series | # of Positions | Orientation |
|---------------|---|--------------------------|
| EM2505 | <input type="checkbox"/> <input type="checkbox"/> | <input type="checkbox"/> |
| | 02 to 24 | V - vertical |

Terminal Blocks:
Single Row

EuroMag Series
Cage & Screw

Edge Connectors,
One-Sided Boards

Compliance
References