

MODEL:

# CS16AC

## 16-Device AC Charging Station



Holds Up to 16 Ultrabooks



200 lb. Load Rating



Sturdy Steel Construction



Locking Doors & Side Panels



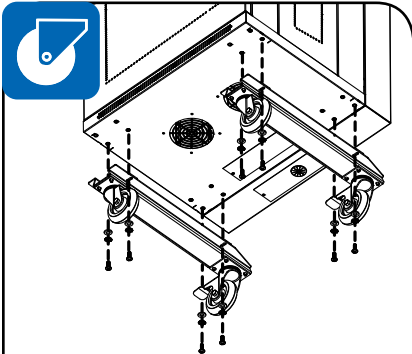
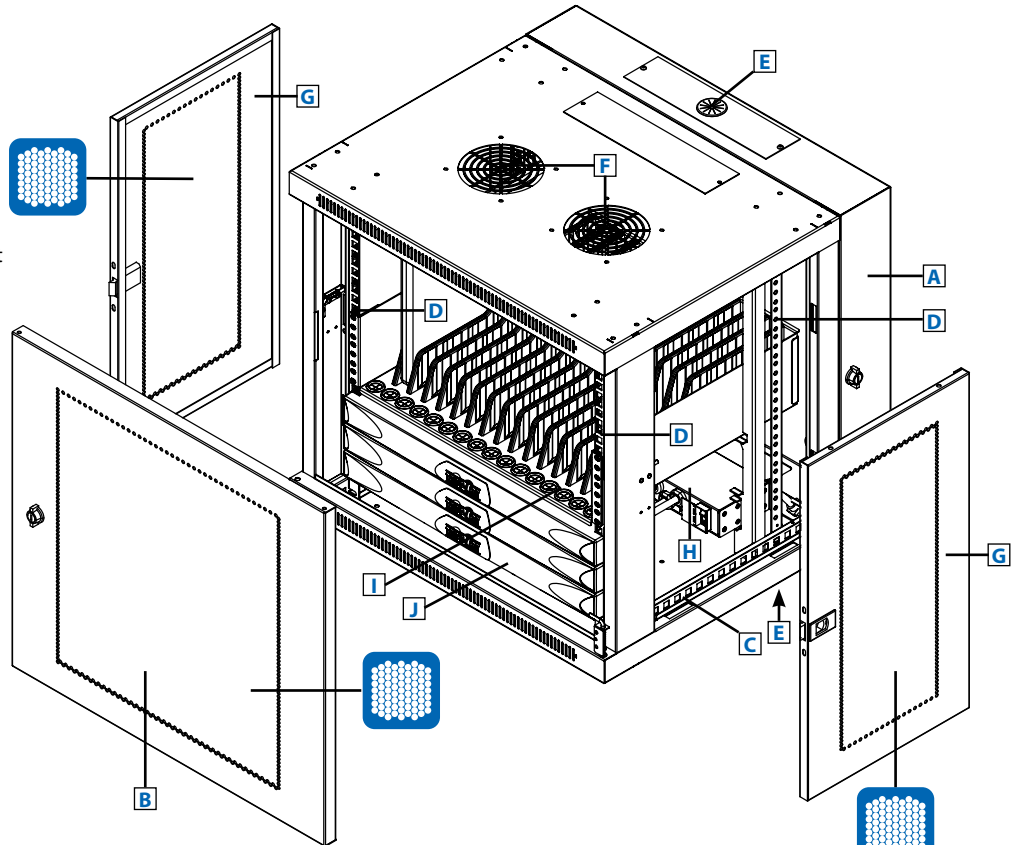
Adjustable Storage Shelf Dividers



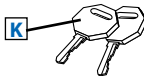
Ventilated for Ample Airflow

- A** Locking Rear Door
- B** Locking/Reversible Front Door
- C** Horizontal Rails
- D** Vertical Mounting Rails
- E** Secure Top and Bottom Cable Access Plates
- F** Vents
- G** Locking/Removable Side Panels
- H** 1U Rack-Mountable 16-Outlet AC Charger Unit
- I** Adjustable 16-tablet Storage Shelf
- J** Toolless Blanking Panels
- K** Keys

Also Includes: Owner's Manual



For applications requiring extra mobility, an optional caster kit (Model: CSHANDLEKIT) contains two swivel/locking casters and two swivel-only casters that attach to the bottom of a charging station unit.



- Locking steel cabinet with charging, secure storage and cord management for up to 16 Ultrabooks, tablets and other devices
- Supports iPad®, Android™, Surface™ and Kindle tablets
- Adjustable/removable storage shelf dividers accommodate thicker devices
- Door locks with included keys prevent device theft, damage or tampering

**SEE NEXT PAGE FOR DETAILED UNIT MEASUREMENTS**

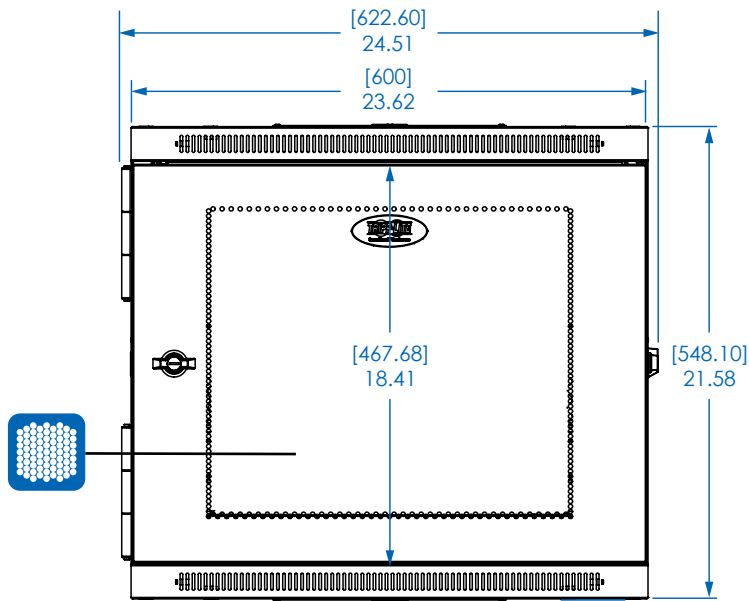
### Specifications

Model	CS16AC
Maximum Devices Per Shelf	16
AC Receptacles	16 x 5-15R
Equipment Mounting Depth	20.5 in. / 521 mm
Load Rating*	200 lbs. / 90 kg
Unit Dimensions (H x W x D)	21.6 x 23.6 x 21.6 in. / 549 x 600 x 549 mm
Unit Weight	55 lb. / 25 kg
Power Requirement	120V AC 50/60 Hz, 12A
Standards	Meets UL 60950, NOM (Mexico) and RoHS standards

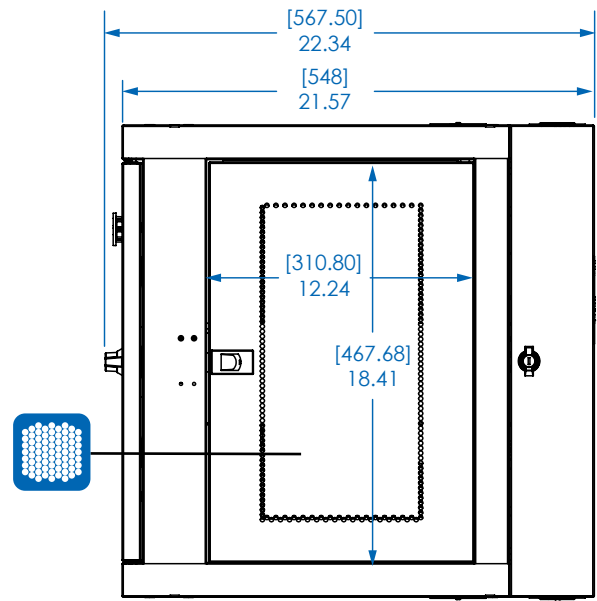
\* The load rating includes the combined weight of the unit and installed equipment. The unit must be mounted to a stable surface with user-supplied anchors capable of bearing the full load.



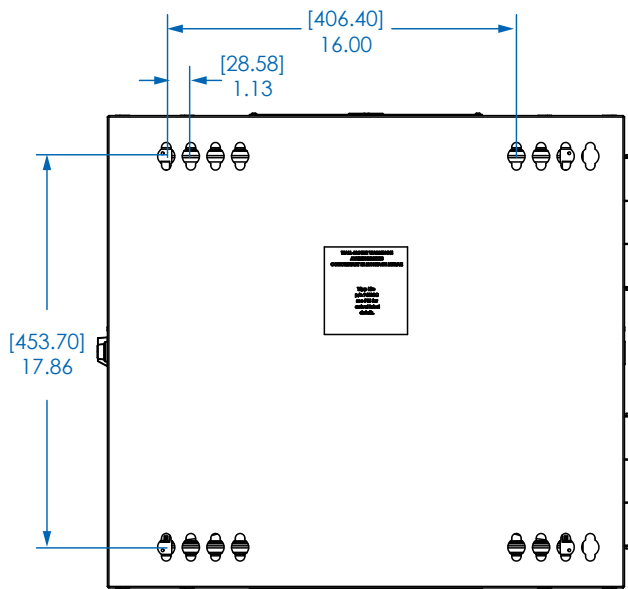
1111 W. 35th Street  
Chicago, IL 60609 USA  
773.869.1234  
www.tripplite.com



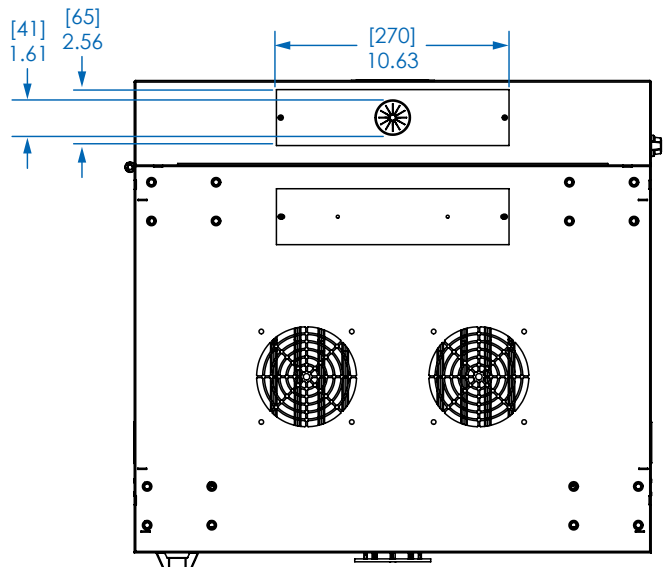
FRONT VIEW



SIDE VIEW



REAR VIEW

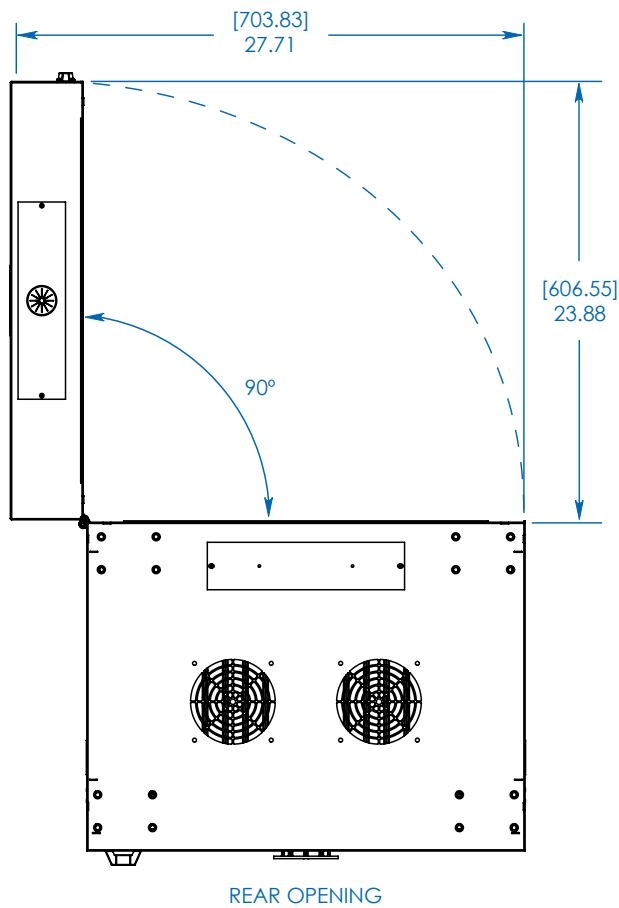
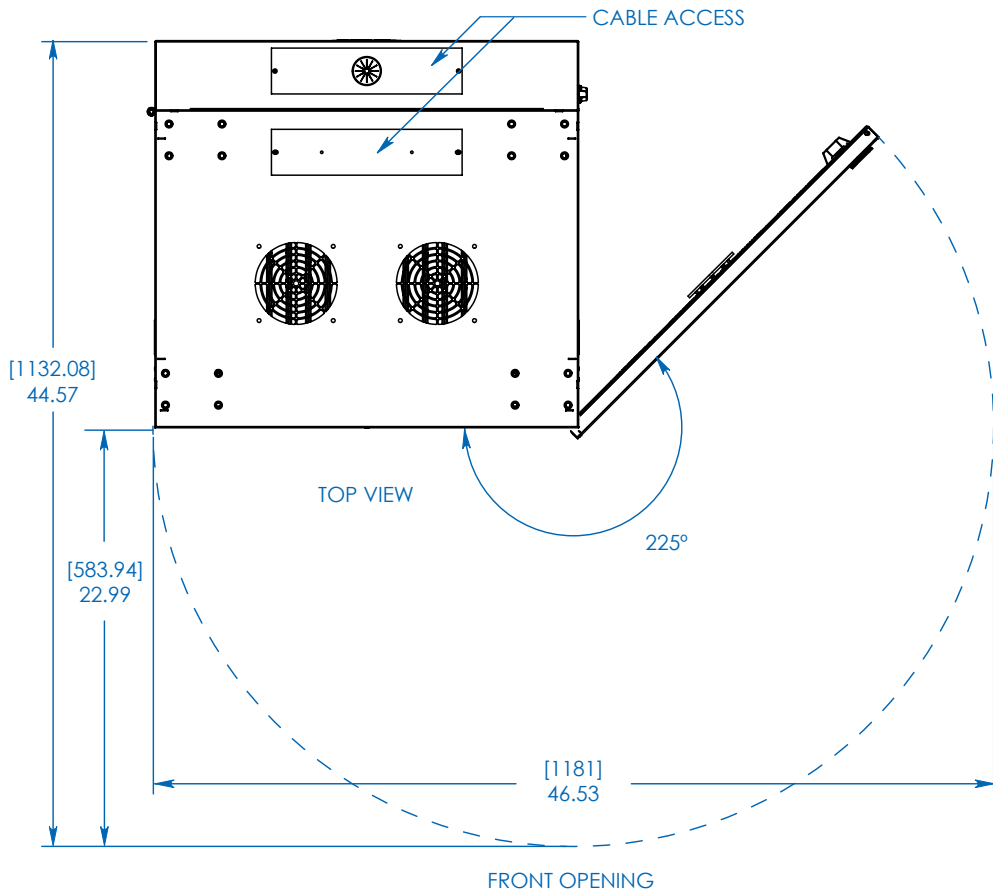


TOP/BOTTOM VIEW

Dimensions: [mm] INCHES

Tripp Lite has a policy of continuous improvement. Specifications are subject to change without notice.

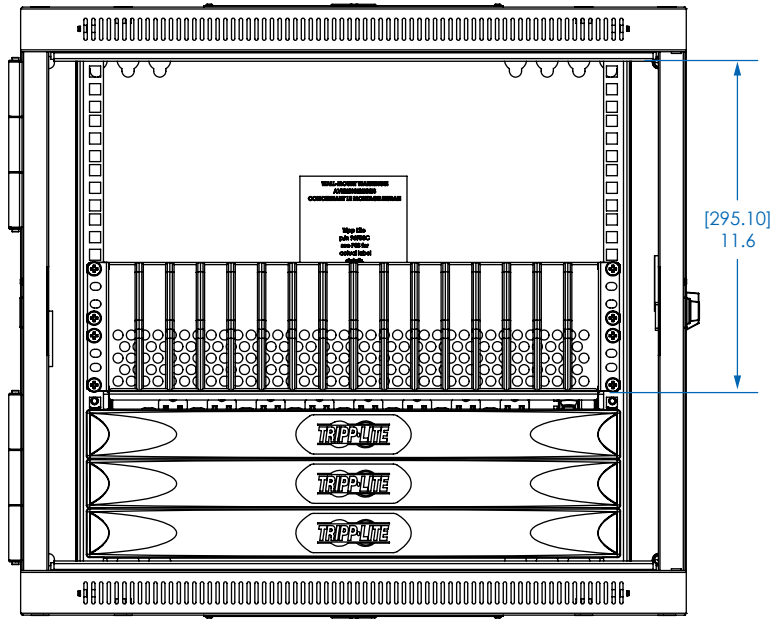




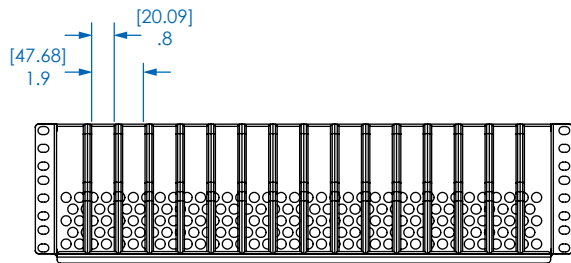
Dimensions: [mm] INCHES

Tripp Lite has a policy of continuous improvement. Specifications are subject to change without notice.

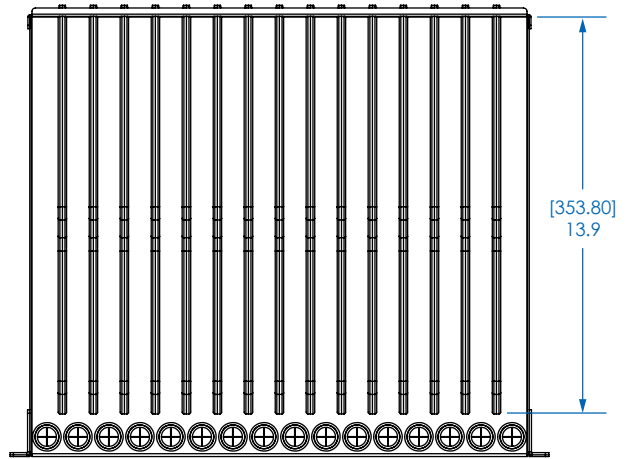




CABINET FRONT VIEW



SHELF FRONT VIEW



SHELF TOP VIEW

Dimensions: [mm] INCHES

Tripp Lite has a policy of continuous improvement. Specifications are subject to change without notice.

MODEL:  
**CS16AC**  
**TRIPPLITE**

1111 W. 35th Street  
 Chicago, IL 60609 USA  
 773.869.1234  
 www.tripplite.com