

6

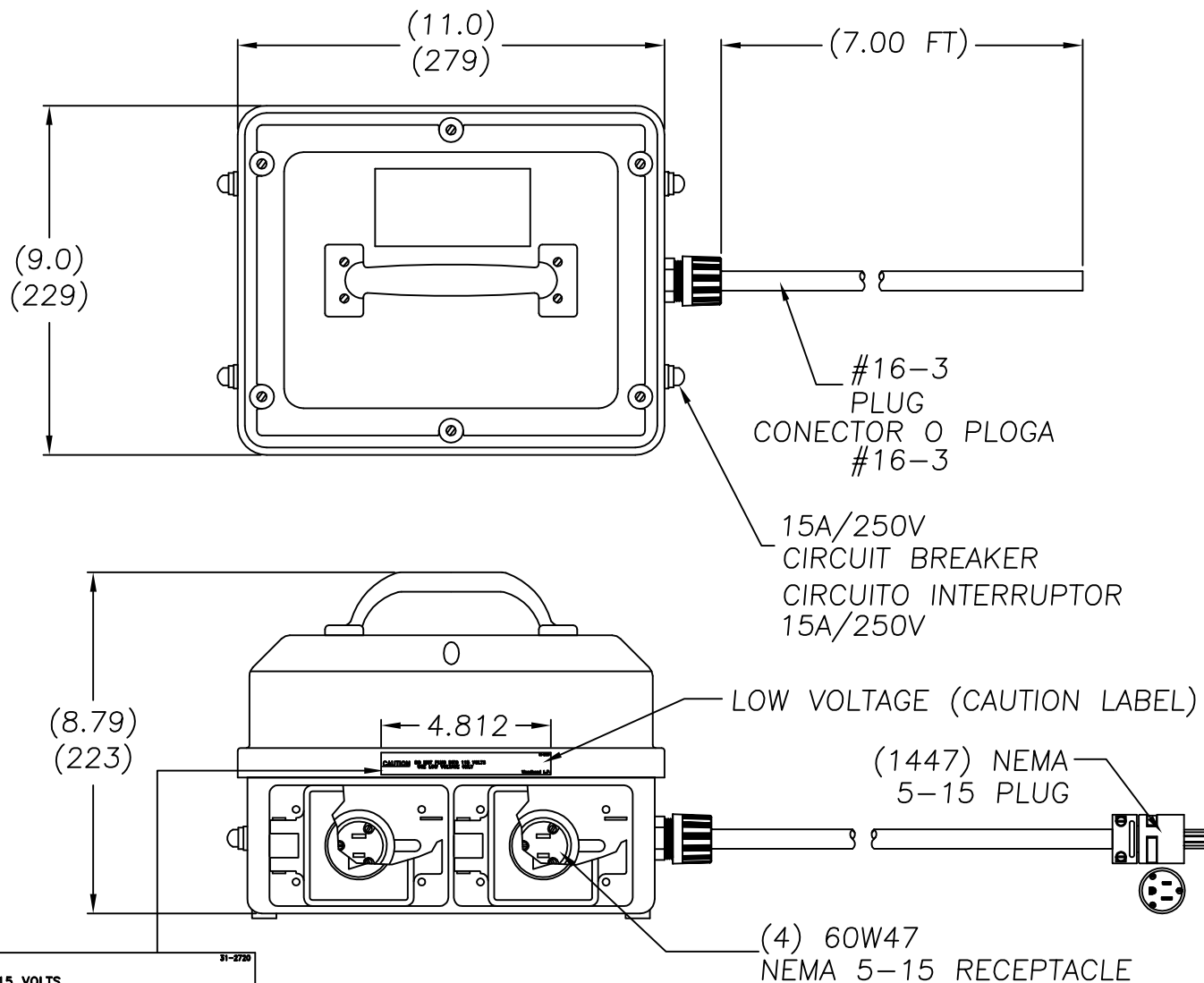
5

4

3

2

1



DO NOT PLUG INTO 115 VOLTS
USE LOW VOLTAGE ONLY

31-2720
Woodhead L.P.

NOTE: CAUTION LABEL TO BE DISPLAYED ON BOTH SIDES.

CUSTOMER DRAWING EC NO: WNA2008-0278 DRWN: TVICKERS 2008/05/07 CHKD: KA 2008/07/05 APPR: SZAFAR 2008/09/24 REV A	QUALITY SYMBOLS ▽=0 ▽=0	GENERAL TOLERANCES (UNLESS SPECIFIED)		DIMENSION STYLE IN/MM		SCALE NTS	DESIGN UNITS INCH	THIRD ANGLE PROJECTION	
		mm	INCH	DRAWN BY	DATE	TITLE			
		4 PLACES ±----	±----	TV	2008/07/05	LOW VOLTAGE WORK STATION 12V 4 OUTLET			
		3 PLACES ±----	±.005	CHKD BY	DATE				
	2 PLACES ±----	±.010	HK	2008/07/05	MOLEX INCORPORATED				
	1 PLACE ±----	±.020	APPROVED BY	DATE					
	ANGULAR ±.5°		MATERIAL NO.		DOCUMENT NO.		SHEET NO.		
DRAFT WHERE APPLICABLE MUST REMAIN WITHIN DIMENSIONS			1301050074		SD-130105-001		1 OF 1		
			SIZE A		THIS DRAWING CONTAINS INFORMATION THAT IS PROPRIETARY TO MOLEX INCORPORATED AND SHOULD NOT BE USED WITHOUT WRITTEN PERMISSION				

6

5

4

3

2

1