



**MB39C605**

## Phase Dimmable PSR LED Driver IC for LED Lighting

MB39C605 is a Primary Side Regulation (PSR) LED driver IC for LED lighting. Using the information of the primary peak current and the transformer-energy-zero time, it is able to deliver a well regulated current to the secondary side without using an opto-coupler in an isolated flyback topology. Operating in critical conduction mode, a smaller transformer is required. In addition, MB39C605 has a built-in phase dimmable circuit and can constitute the lighting system for phase dimming. It is most suitable for the general lighting applications, for example replacement of commercial and residential incandescent lamps.

### Features

- PSR topology in an isolated flyback circuit
- High efficiency (>80% : without dimmer) and low EMI by detecting transformer zero energy
- TRAIC Dimmable LED lighting
- Highly reliable protection functions
  - Under voltage lock out (UVLO)
  - Over voltage protection (OVP)
  - Over current protection (OCP)
  - Short circuit protection (SCP)
  - Over temperature protection (OTP)
- Switching frequency setting : 30 kHz to 133 kHz
- Input voltage range VDD : 9V to 20V
- Input voltage for LED lighting applications : AC110V<sub>RMS</sub>, AC230V<sub>RMS</sub>
- Output power range for LED lighting applications : 5W to 10W
- Small Package : SOP-8 (3.9 mm × 5.05 mm × 1.75 mm[Max])

### Applications

- Phase dimmable (Leading/Trailing) LED lighting
- LED lighting



### Online Design Simulation Easy DesignSim

This product supports the web-based design simulation tool.  
It can easily select external components and can display useful information.  
Please access from the following URL.

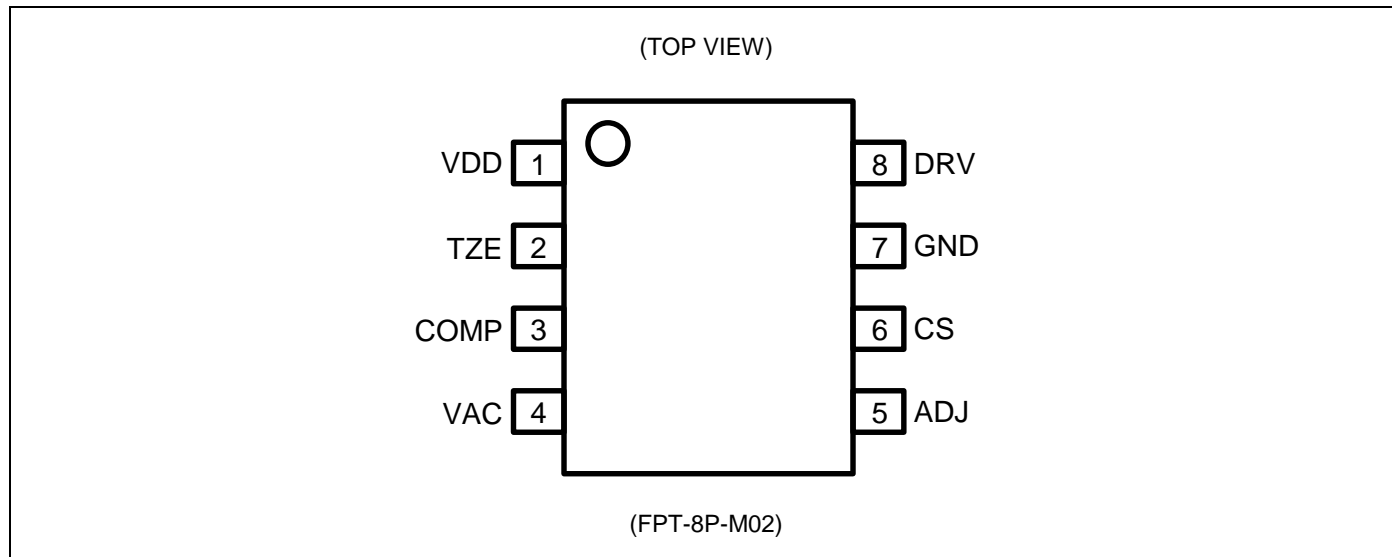
<http://cypress.transim.com/login.aspx>

## Contents

<b>1.</b>	<b>Pin Assignment</b> .....	<b>3</b>
<b>2.</b>	<b>Pin Descriptions</b> .....	<b>3</b>
<b>3.</b>	<b>Block Diagram</b> .....	<b>4</b>
<b>4.</b>	<b>Absolute Maximum Ratings</b> .....	<b>5</b>
<b>5.</b>	<b>Recommended Operating Conditions</b> .....	<b>6</b>
<b>6.</b>	<b>Electrical Characteristics</b> .....	<b>7</b>
<b>7.</b>	<b>Standard Characteristics</b> .....	<b>9</b>
<b>8.</b>	<b>Function Explanations</b> .....	<b>10</b>
8.1	LED Current Control by PSR(Primary Side Regulation).....	10
8.2	Dimming Function.....	11
8.3	Power-On Sequence.....	12
8.4	Power-Off Sequence.....	13
8.5	I <sub>P_PEAK</sub> Detection Function.....	13
8.6	Zero Voltage Switching Function.....	13
8.7	Protection Functions.....	14
<b>9.</b>	<b>I/O Pin Equivalent Circuit Diagram</b> .....	<b>15</b>
<b>10.</b>	<b>Application Examples</b> .....	<b>17</b>
10.1	5W Non-isolated Dimming Application.....	17
<b>11.</b>	<b>Usage Precautions</b> .....	<b>23</b>
<b>12.</b>	<b>Ordering Information</b> .....	<b>24</b>
<b>13.</b>	<b>Marking Format</b> .....	<b>25</b>
<b>14.</b>	<b>Recommended Mounting Condition [JEDEC Level3] Lead Free</b> .....	<b>26</b>
14.1	Recommended Reflow Condition.....	26
14.2	Reflow Profile.....	26
<b>15.</b>	<b>Package Dimensions</b> .....	<b>27</b>
<b>16.</b>	<b>Major Changes</b> .....	<b>28</b>
<b>17.</b>	<b>Document History</b> .....	<b>29</b>

## 1. Pin Assignment

Figure 1-1. Pin Assignment



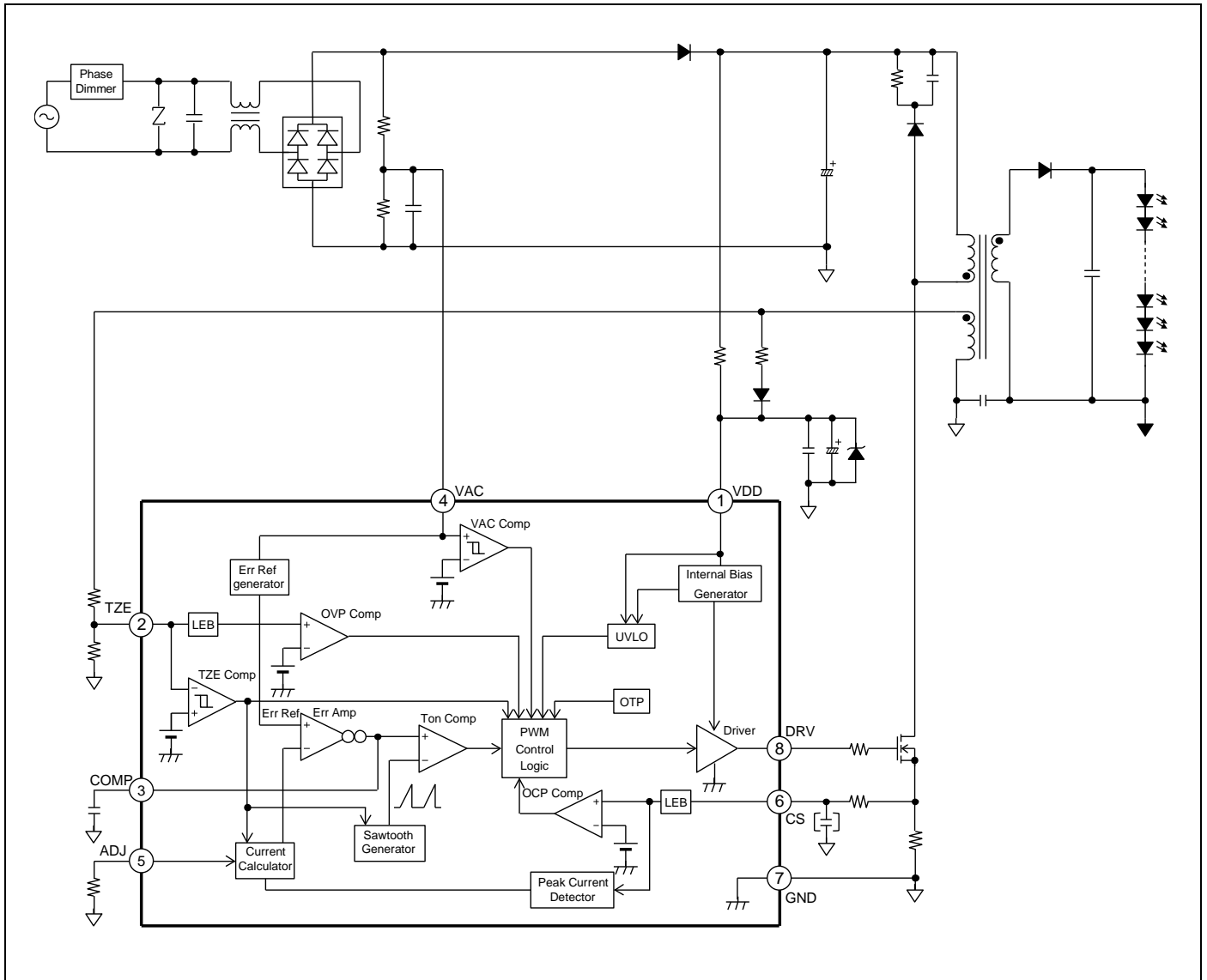
## 2. Pin Descriptions

Table 2-1. Pin Descriptions

Pin No.	Pin Name	I/O	Description
1	VDD	-	Power supply pin.
2	TZE	I	Transformer Zero Energy detecting pin.
3	COMP	O	External Capacitor connection pin for the compensation.
4	VAC	I	Phase dimming control pin.
5	ADJ	O	Pin for adjusting the switch-on timing.
6	CS	I	Pin for detecting peak current of transformer primary winding.
7	GND	-	Ground pin.
8	DRV	O	External MOSFET gate connection pin.

### 3. Block Diagram

Figure 3-1. Block Diagram (Isolated Flyback Application)



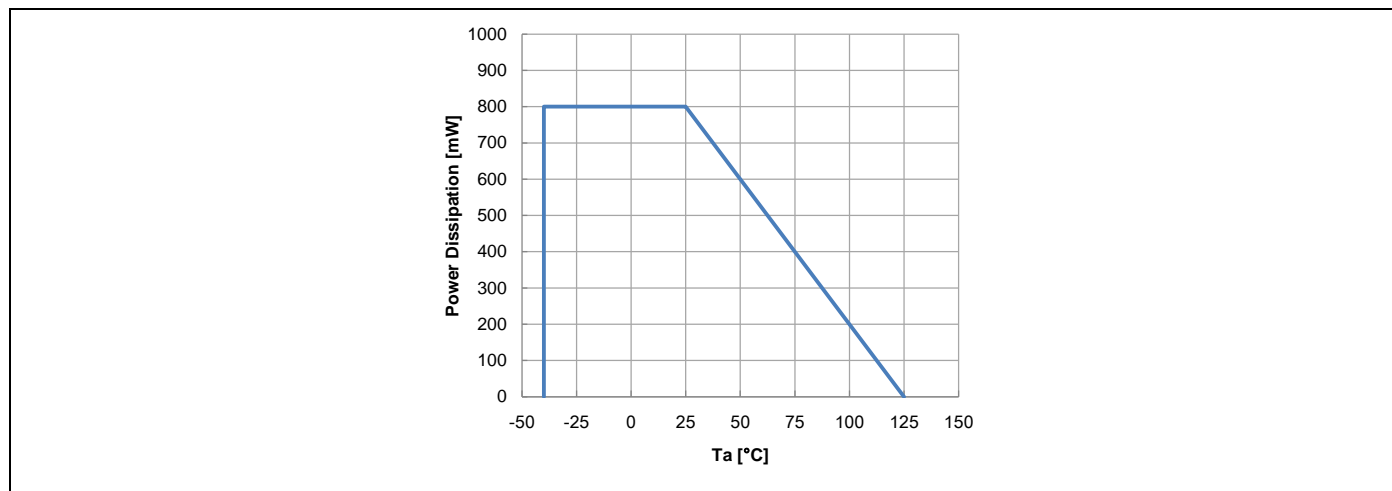
#### 4. Absolute Maximum Ratings

Table 4-1. Absolute Maximum Rating

Parameter	Symbol	Condition	Rating		Unit
			Min	Max	
Power Supply Voltage	V <sub>VDD</sub>	VDD pin	-0.3	+25	V
Input Voltage	V <sub>CS</sub>	CS pin	-0.3	+6.0	V
	V <sub>TZE</sub>	TZE pin	-0.3	+6.0	V
	V <sub>VAC</sub>	VAC pin	-0.3	+6.0	V
Output Voltage	V <sub>DRV</sub>	DRV pin	-0.3	+25	V
Output Current	I <sub>ADJ</sub>	ADJ pin	-1	-	mA
	I <sub>DRV</sub>	DRV pin DC level	-50	+50	mA
Power Dissipation	P <sub>D</sub>	T <sub>a</sub> ≤ +25°C	-	800 (*1)	mW
Storage temperature	T <sub>STG</sub>	-	-55	+125	°C
ESD Voltage 1	V <sub>ESDH</sub>	Human Body Model	-2000	+2000	V
ESD Voltage 2	V <sub>ESDC</sub>	Charged Device Model	-1000	+1000	V

\*1: The value when using two layers PCB.  
Reference: θ<sub>ja</sub> (wind speed 0m/s): +125°C/W

Figure 4-1. Power Dissipation



**WARNING:**

1. Semiconductor devices may be permanently damaged by application of stress (including, without limitation, voltage, current or temperature) in excess of absolute maximum ratings. Do not exceed any of these ratings.

## 5. Recommended Operating Conditions

**Table 5-1. Recommended Operating Conditions**

Parameter	Symbol	Condition	Value			Unit
			Min	Typ	Max	
VDD pin Input Voltage	VDD	VDD pin	9	-	20	V
VAC pin Input Voltage	V <sub>VAC</sub>	VAC pin After UVLO release	0	-	5	V
VAC pin Input Current	I <sub>VAC</sub>	VAC pin Before UVLO release	0	-	2.5	μA
TZE pin Resistance	R <sub>TZE</sub>	TZE pin	50	-	200	kΩ
ADJ pin Resistance	R <sub>ADJ</sub>	ADJ pin	9.3	-	185.5	kΩ
COMP pin Capacitance	C <sub>COMP</sub>	COMP pin	-	0.01	-	μF
VDD pin Capacitance	C <sub>BP</sub>	Set between VDD pin and GND pin	-	4.7	-	μF
Operating Junction Temperature	T <sub>j</sub>	-	-40	-	+125	°C

**WARNING:**

1. The recommended operating conditions are required in order to ensure the normal operation of the semiconductor device. All of the device's electrical characteristics are warranted when the device is operated under these conditions.
2. Any use of semiconductor devices will be under their recommended operating condition.
3. Operation under any conditions other than these conditions may adversely affect reliability of device and could result in device failure.
4. No warranty is made with respect to any use, operating conditions or combinations not represented on this data sheet. If you are considering application under any conditions other than listed herein, please contact sales representatives beforehand.

## 6. Electrical Characteristics

**Table 6-1 . Electrical Characteristics**

 (Ta = +25°C, V<sub>VDD</sub> = 12V)

Parameter		Symbol	Pin	Condition	Value			Unit
					Min	Typ	Max	
POWER SUPPLY CURRENT	Power supply current	I <sub>VDD(STATIC)</sub>	VDD	V <sub>VDD</sub> = 20V, V <sub>TZE</sub> = 1V	-	3	3.6	mA
		I <sub>VDD(OPERATING)</sub>	VDD	V <sub>VDD</sub> = 20V, Q <sub>g</sub> = 20 nC, f <sub>SW</sub> = 133 kHz	-	5.6	-	mA
UVLO	UVLO Turn-on threshold voltage	V <sub>TH</sub>	VDD	-	12.25	13	13.75	V
	UVLO Turn-off threshold voltage	V <sub>TL</sub>	VDD	-	7.55	7.9	8.5	V
	Startup current	I <sub>START</sub>	VDD	V <sub>VDD</sub> = 7V	-	65	160	μA
TRANSFORMER ZERO ENERGY DETECTION	Zero energy threshold voltage	V <sub>TZETL</sub>	TZE	TZE = "H" to "L"	-	20	-	mV
	Zero energy threshold voltage	V <sub>TZETH</sub>	TZE	TZE = "L" to "H"	0.6	0.7	0.8	V
	TZE clamp voltage	V <sub>TZECLAMP</sub>	TZE	I <sub>TZE</sub> = -10 μA	-200	-160	-100	mV
	OVP threshold voltage	V <sub>TZEOVP</sub>	TZE	-	4.15	4.3	4.45	V
	OVP blanking time	t <sub>OVPBLANK</sub>	TZE	-	0.6	1	1.7	μs
	TZE input current	I <sub>TZE</sub>	TZE	V <sub>TZE</sub> = 5V	-1	-	+1	μA
COMPENSATION	Source current	I <sub>SO</sub>	COMP	V <sub>COMP</sub> = 2V, V <sub>CS</sub> = 0V, V <sub>VAC</sub> = 1.85V	-	-27	-	μA
	Trans conductance	gm	COMP	V <sub>COMP</sub> = 2.5V, V <sub>CS</sub> = 1V	-	96	-	μA/V
DIMMING	VAC input current	I <sub>VAC</sub>	VAC	V <sub>VAC</sub> = 5V	-0.1	-	+0.1	μA
	VACCOMP threshold voltage	V <sub>VACCOMPVTH</sub>	VAC	-	135	150	165	mV
	VACCOMP hysteresis	V <sub>VACCOMPHYS</sub>	VAC	-	-	70	-	mV
ADJUSTMENT	ADJ voltage	V <sub>ADJ</sub>	ADJ	-	1.81	1.85	1.89	V
	ADJ source current	I <sub>ADJ</sub>	ADJ	V <sub>ADJ</sub> = 0V	-650	-450	-250	μA
	ADJ time	T <sub>ADJ</sub>	TZE DRV	T <sub>ADJ</sub> (R <sub>ADJ</sub> = 51 kΩ) - T <sub>ADJ</sub> (R <sub>ADJ</sub> = 9.1 kΩ)	490	550	610	ns
	Minimum switching period	T <sub>SW</sub>	TZE DRV	-	6.75	7.5	8.25	μs

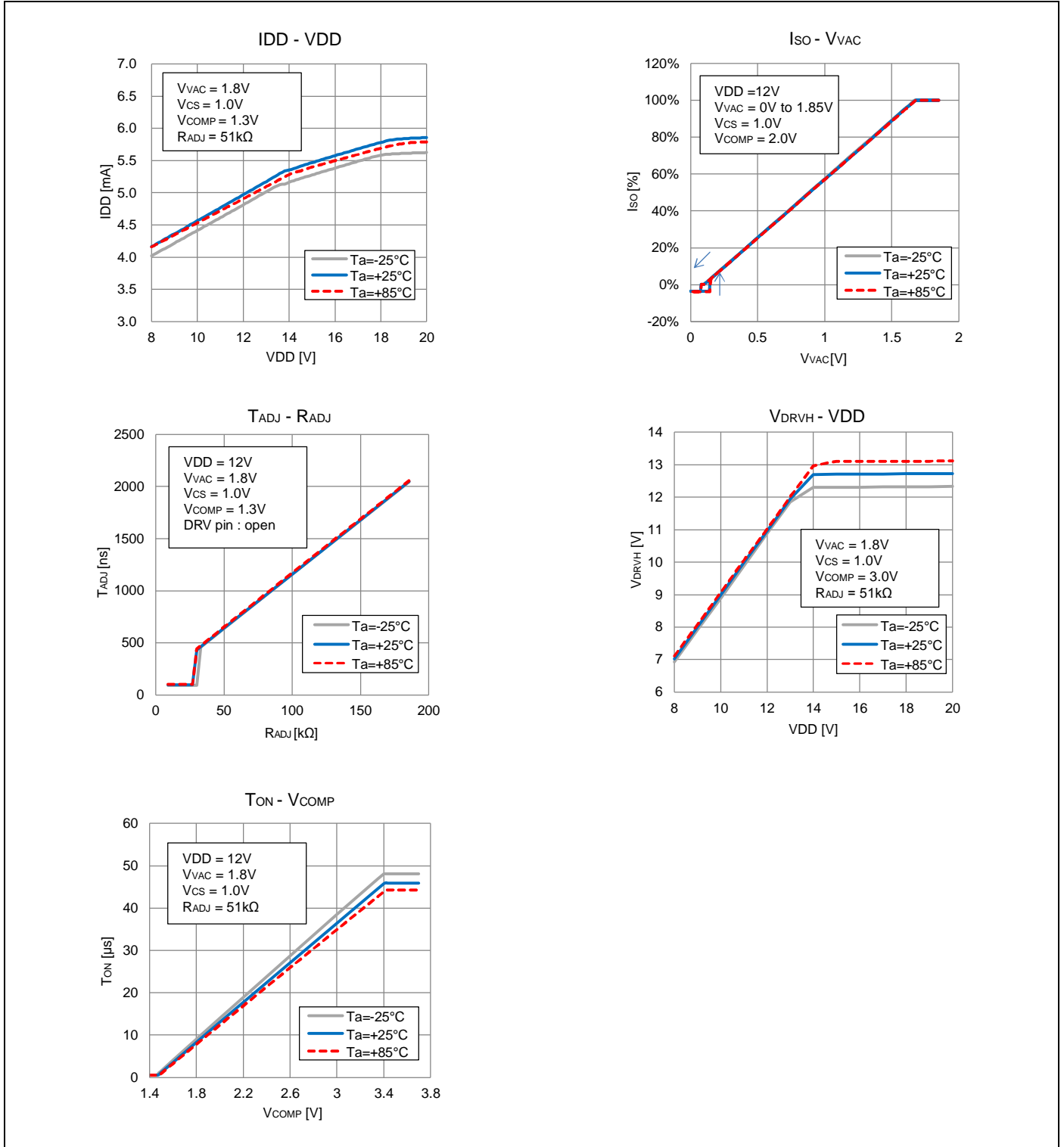
(Ta = +25°C, VDD = 12V)

Parameter	Symbol	Pin	Condition	Value			Unit	
				Min	Typ	Max		
CURRENT SENSE	OCP threshold voltage	V <sub>OCPH</sub>	CS	-	1.9	2	2.1	V
	OCP delay time	t <sub>OCPDLY</sub>	CS	-	-	400	500	ns
	CS input current	I <sub>CS</sub>	CS	V <sub>CS</sub> = 5V	-1	-	+1	μA
DRV	DRV high voltage	V <sub>DRVH</sub>	DRV	VDD = 18V, I <sub>DRV</sub> = -30 mA	7.6	9.4	-	V
	DRV low voltage	V <sub>DRVL</sub>	DRV	VDD = 18V, I <sub>DRV</sub> = 30 mA	-	130	260	mV
	Rise time	t <sub>RISE</sub>	DRV	VDD = 18V, CLOAD = 1 nF	-	94	-	ns
	Fall time	t <sub>FALL</sub>	DRV	VDD = 18V, CLOAD = 1 nF	-	16	-	ns
	Minimum on time	t <sub>ONMIN</sub>	DRV	TZE trigger	300	500	700	ns
	Maximum on time	t <sub>ONMAX</sub>	DRV	-	27	44	60	μs
	Minimum off time	t <sub>OFFMIN</sub>	DRV	-	1	1.5	1.93	μs
	Maximum off time	t <sub>OFFMAX</sub>	DRV	TZE = GND	270	320	370	μs
OTP	OTP threshold	T <sub>OTP</sub>	-	Tj, temperature rising	-	+150	-	°C
	OTP hysteresis	T <sub>OTPHYS</sub>	-	Tj, temperature falling, degrees below T <sub>OTP</sub>	-	+25	-	°C



## 7. Standard Characteristics

Figure 7-1. Standard Characteristics



## 8. Function Explanations

### 8.1 LED Current Control by PSR (Primary Side Regulation)

MB39C605 regulates the average LED current ( $I_{LED}$ ) by feeding back the information based on Primary Winding peak current ( $I_{P\_PEAK}$ ) and Secondary Winding energy discharge time ( $T_{DIS}$ ) and switching period ( $T_{SW}$ ). Figure 8-1 shows the operating waveform in steady state.  $I_P$  is Primary Winding current and  $I_S$  is Secondary Winding current.  $I_{LED}$  as an average current of the Secondary Winding is described by the following equation.

$$I_{LED} = \frac{1}{2} \times I_{S\_PEAK} \times \frac{T_{DIS}}{T_{SW}}$$

Using  $I_{P\_PEAK}$  and the transformer Secondary to Primary turns ratio ( $N_P/N_S$ ), Secondary Winding peak current ( $I_{S\_PEAK}$ ) is described by the following equation.

$$I_{S\_PEAK} = \frac{N_P}{N_S} \times I_{P\_PEAK}$$

Therefore,

$$I_{LED} = \frac{1}{2} \times \frac{N_P}{N_S} \times I_{P\_PEAK} \times \frac{T_{DIS}}{T_{SW}}$$

MB39C605 detects  $T_{DIS}$  by monitoring TZE pin and  $I_{P\_PEAK}$  by monitoring CS pin. An internal Err Amp sinks gm current proportional to  $I_{P\_PEAK}$  from COMP pin during  $T_{DIS}$  period. In steady state, since the average of the gm current is equal to internal reference current ( $I_{SO}$ ), the voltage on COMP pin ( $V_{COMP}$ ) is nearly constant.

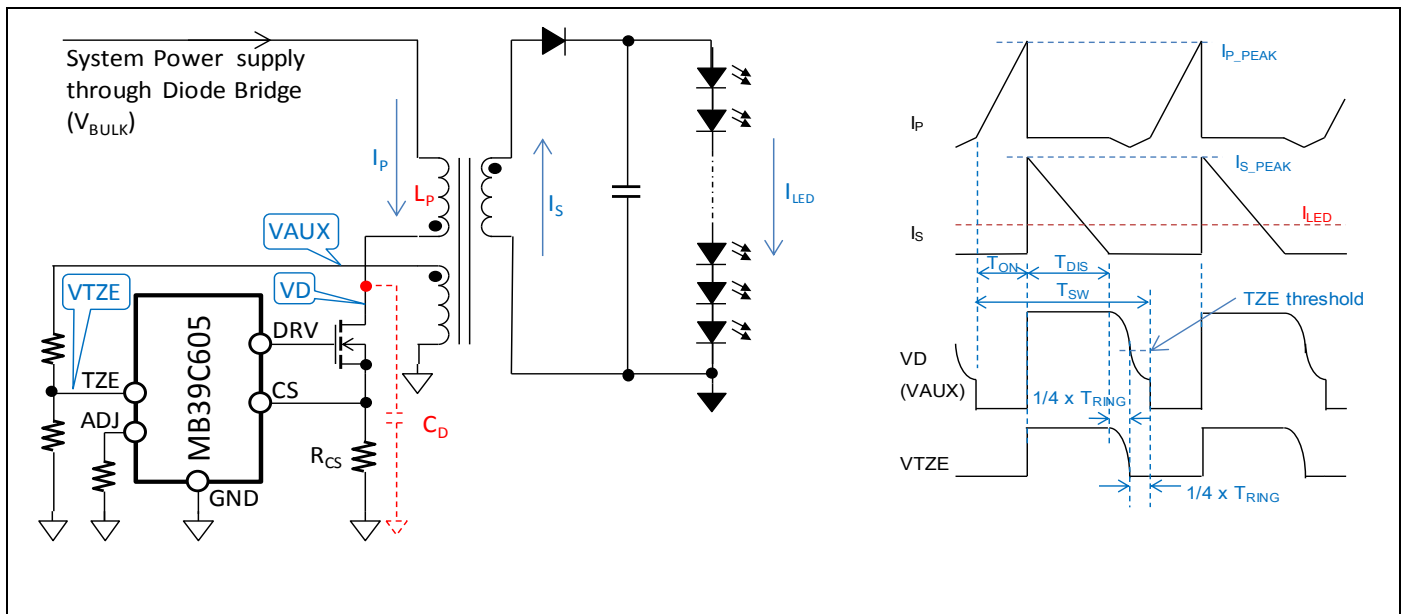
$$I_{P\_PEAK} \times R_{CS} \times gm \times T_{DIS} = I_{SO} \times T_{SW}$$

In above equation, gm is transconductance of the Err Amp and  $R_{CS}$  is a sense resistance.

Eventually,  $I_{LED}$  can be calculated by the following equation.

$$I_{LED} = \frac{1}{2} \times \frac{N_P}{N_S} \times \frac{I_{SO}}{gm} \times \frac{1}{R_{CS}}$$

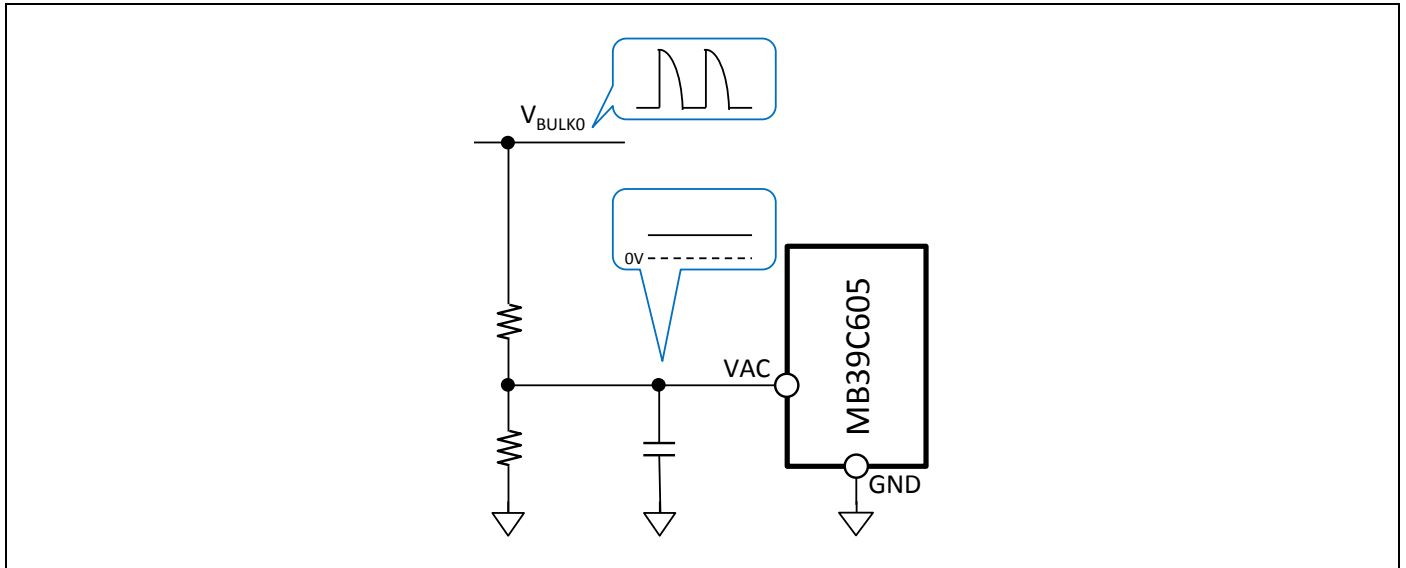
**Figure 8-1. LED Current Control Waveform**



## 8.2 Dimming Function

MB39C605 has the built-in Phase dimmable circuit to control  $I_{LED}$  by changing a reference of Err Amp based on the input dimming control level on the VAC pin and realizes dimming. Figure 8-2 shows the input circuit to the VAC pin for phase dimming.  $V_{BULK0}$  is divided and filtered into an analog voltage with RC network. It is possible to configure phase dimmable system by inputting the voltage to the VAC pin.

**Figure 8-2. VAC Pin Input Circuit**



### 8.3 Power-On Sequence

When the AC line voltage is supplied,  $V_{BULK}$  is powered from the AC line through a diode bridge and a diode (D1) with charging a capacitor ( $C_{BULK}$ ), and the VDD pin is charged from  $V_{BULK}$  through a start-up resistance (Rst). (Figure 8-3 red path)

When the VDD pin is charged up and the voltage on the VDD pin ( $V_{VDD}$ ) rises above the UVLO threshold voltage, an internal Bias circuit starts operating, and MB39C605 starts the dimming control. After the UVLO is released, this device enables switching and is operating in a forced switching mode ( $T_{ON} = 1.5 \mu s$ ,  $T_{OFF} = 78 \mu s$  to  $320 \mu s$ ). When the voltage on the TZE pin reaches the Zero energy threshold voltage ( $V_{TZETH} = 0.7V$ ), MB39C605 enters normal operation mode. After the switching begins, the VDD pin is also charged from Auxiliary Winding through an external diode (DBIAS). (Figure 8-3 blue path)

During start-up period  $V_{VDD}$  is not supplied from Auxiliary Winding, because the LED voltage is low.  $V_{VDD}$  decreases gradually until the LED voltage rises above enough high that the Auxiliary Winding voltage can exceed  $V_{VDD}$ . In this period, if  $V_{VDD}$  falls below the UVLO threshold voltage, the switching stops. When the VDD pin is charged up again and  $V_{VDD}$  rises above the UVLO threshold voltage, MB39C605 restarts the switching. This device repeats above operation until the LED voltage rises above enough high.  $V_{VDD}$  becomes stable after that.

Figure 8-3. VDD Supply Path at Power-On

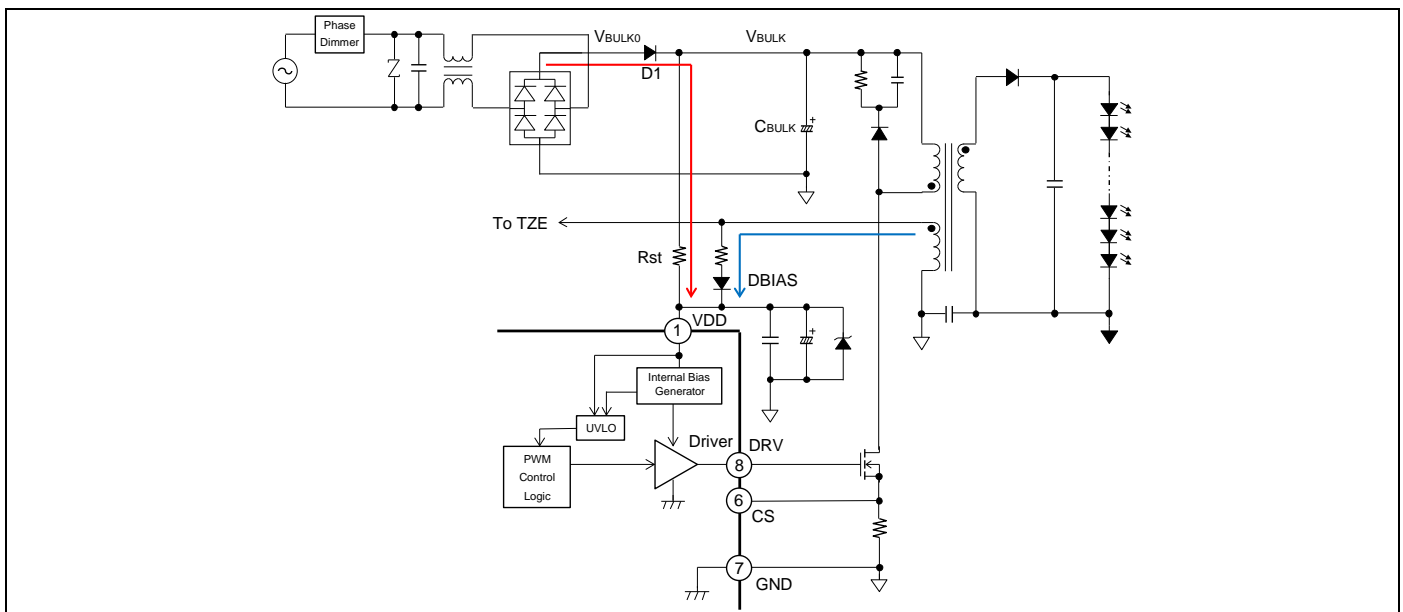
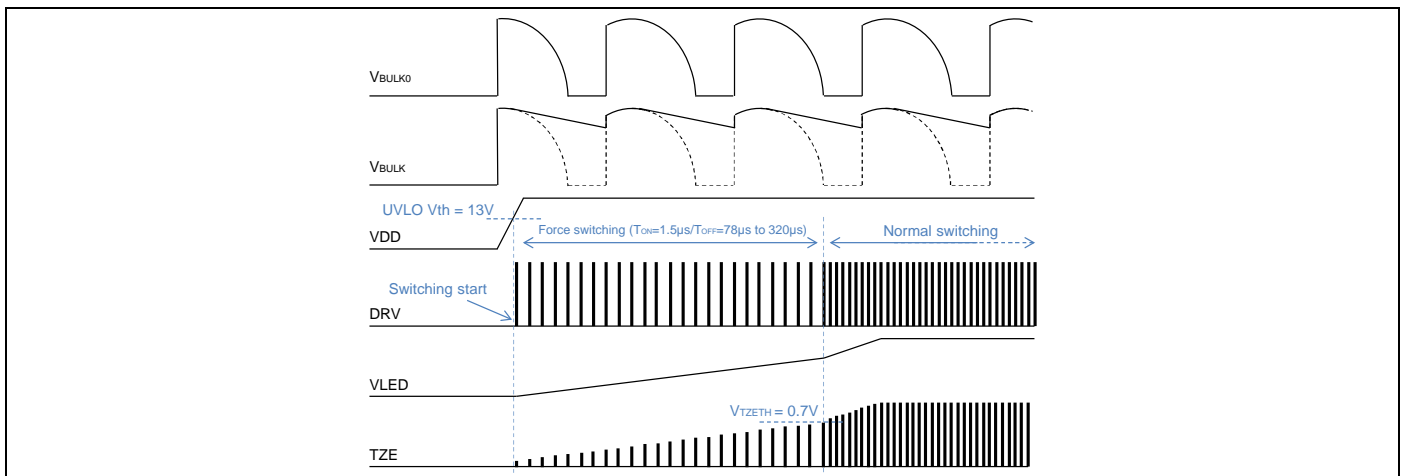


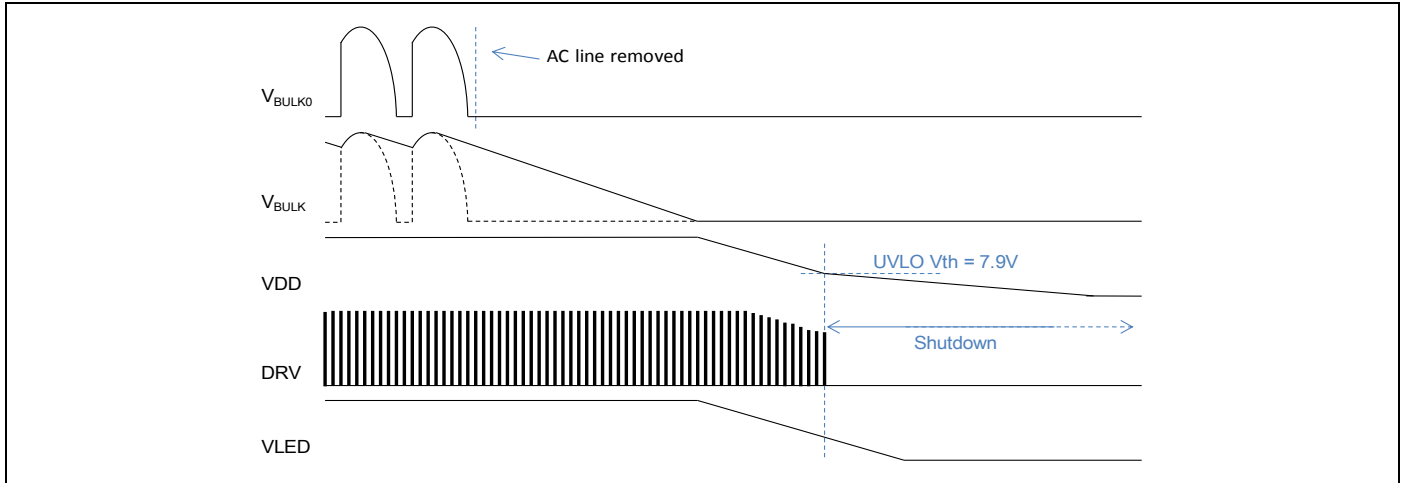
Figure 8-4. Power-On Waveform



### 8.4 Power-Off Sequence

After the AC line voltage is removed,  $V_{BULK}$  is discharged by switching operation. Since any Secondary Winding current does not flow,  $I_{LED}$  is supplied only from output capacitors and decreases gradually.  $V_{VDD}$  also decreases because there is no current supply from both Auxiliary Winding and  $V_{BULK}$ . When  $V_{VDD}$  falls below the UVLO threshold voltage, MB39C605 shuts down.

**Figure 8-5. Power-Off Waveform**



### 8.5 $I_{P\_PEAK}$ Detection Function

MB39C605 detects Primary Winding peak current ( $I_{P\_PEAK}$ ) of Transformer.  $I_{LED}$  is set by connecting a sense resistance ( $R_{CS}$ ) between CS pin and GND pin. Maximum  $I_{P\_PEAK}$  ( $I_{P\_PEAKMAX}$ ) limited by Over Current Protection (OCP) can also be set with the resistance.

Using the Secondary to Primary turns ratio ( $N_P/N_S$ ) and  $I_{LED}$ ,  $R_{CS}$  is set as the following equation (refer to 8.1)

$$R_{CS} = \frac{N_P}{N_S} \times \frac{0.14}{I_{LED}}$$

In addition, using the OCP threshold voltage ( $V_{OCP_{TH}}$ ) and  $R_{CS}$ ,  $I_{P\_PEAKMAX}$  is calculated with the following equation.

$$I_{P\_PEAKMAX} = \frac{V_{OCP_{TH}}}{R_{CS}}$$

### 8.6 Zero Voltage Switching Function

MB39C605 has built-in zero voltage switching function to minimize switching loss of the external switching MOSFET. This device detects a zero crossing point through a resistor divider connected from TZE pin to Auxiliary Winding. A zero energy detection circuit detects a negative crossing point of the voltage on TZE pin to Zero energy threshold voltage ( $V_{TZETL}$ ). On-timing of switching MOSFET is decided with waiting an adjustment time ( $t_{ADJ}$ ) after the negative crossing occurs.

$t_{ADJ}$  is set by connecting an external resistance ( $R_{ADJ}$ ) between ADJ pin and GND pin. Using Primary Winding inductance ( $L_P$ ) and the parasitic drain capacitor of switching MOSFET ( $C_D$ ),  $t_{ADJ}$  is calculated with the following equation.

$$t_{ADJ} = \frac{\pi \sqrt{L_P \times C_D}}{2}$$

Using  $t_{ADJ}$ ,  $R_{ADJ}$  is expressed by the following calculation.

$$R_{ADJ} [k\Omega] = 0.0927 \times t_{ADJ} [ns]$$

## 8.7 Protection Functions

### Under Voltage Lockout Protection (UVLO)

The under voltage lockout protection (UVLO) prevents IC from a malfunction in the transient state during  $V_{VDD}$  startup and a malfunction caused by a momentary drop of  $V_{VDD}$ , and protects the system from destruction/deterioration. An UVLO comparator detects the voltage decrease below the UVLO threshold voltage on VDD pin, and then DRV pin is turned to “L” and the switching stops. MB39C605 automatically returns to normal operation mode when  $V_{VDD}$  increases above the UVLO threshold voltage.

### Over Voltage Protection (OVP)

The over voltage protection (OVP) protects Secondary side components from an excessive voltage stress. If the LED is disconnected, the output voltage of Secondary Winding rises up. The output overvoltage can be detected by monitoring TZE pin. During Secondary Winding energy discharge time,  $V_{TZE}$  is proportional to  $V_{AUX}$  and the voltage of Secondary Winding (refer to 8.1). When  $V_{TZE}$  rises higher than the OVP threshold voltage for 3 continues switching cycles, DRV pin is turned to “L”, and the switching stops (latch off). When  $V_{VDD}$  drops below the UVLO threshold voltage, the latch is removed.

### Over Current Protection (OCP)

The over current protection (OCP) prevents inductor or transformer from saturation. The drain current of the external switching MOSFET is limited by OCP. When the voltage on CS pin reaches the OCP threshold voltage, DRV pin is turned to “L” and the switching cycle ends. After zero crossing is detected on TZE pin again, DRV pin is turned to “H” and the next switching cycle begins.

### Short Circuit Protection (SCP)

The short circuit protection (SCP) protects the transformer and the Secondary side diode from an excessive current stress. When the short circuit between LED terminals occurs, output voltage decreases. If the voltage on TZE pin falls below SCP threshold voltage,  $V_{COMP}$  is discharged and fixed at 1.5V and then the switching enters a low frequency mode. ( $T_{ON} = 1.5 \mu s$  /  $T_{OFF} = 78 \mu s$  to  $320 \mu s$ )

### Over Temperature Protection (OTP)

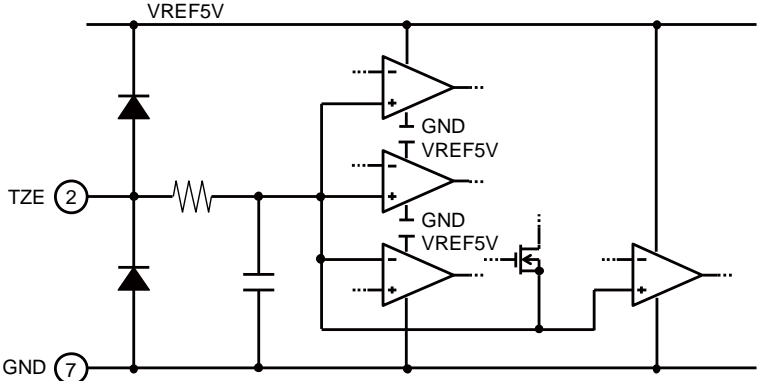
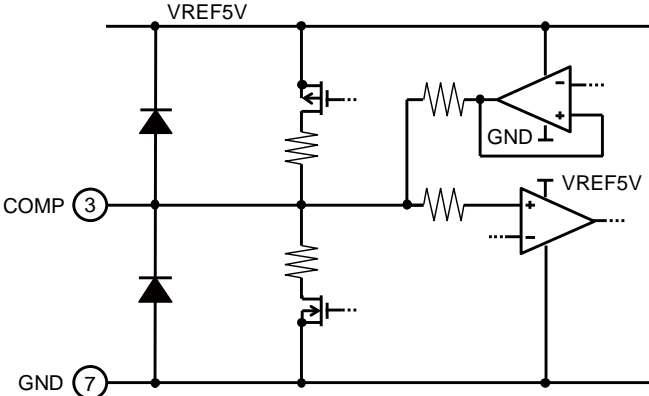
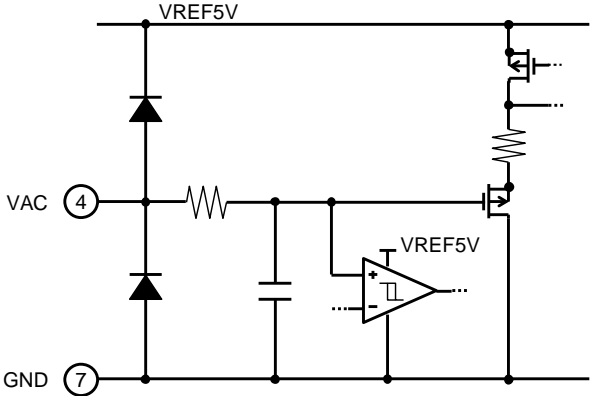
The over temperature protection (OTP) protects IC from thermal destruction. When the junction temperature reaches  $+150^{\circ}C$ , DRV pin is turned to “L”, and the switching stops. It automatically returns to normal operation mode if the junction temperature falls back below  $+125^{\circ}C$ .

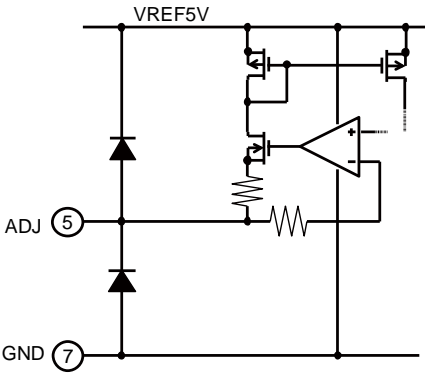
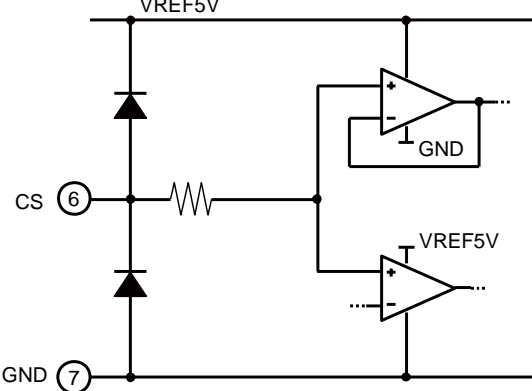
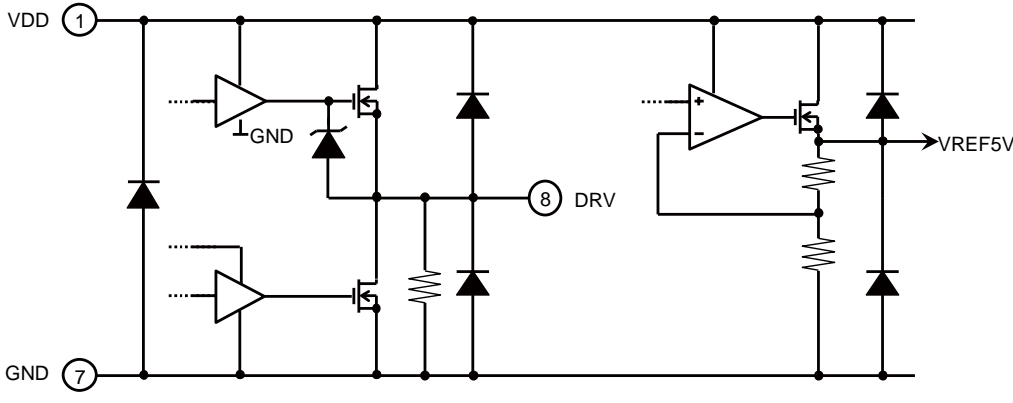
**Table 8-1. Protection Functions Table**

Function	PIN Operation			Detection Condition	Return Condition	Remarks
	DRV	COMP	ADJ			
Normal Operation	Active	Active	Active	-	-	-
Under Voltage Lockout Protection (UVLO)	L	L	L	$V_{DD} < 7.9V$	$V_{DD} > 13V$	Auto Restart
Over Voltage Protection (OVP)	L	1.5V fixed	Active	$TZE > 4.3V$	$V_{DD} < 7.9V$ → $V_{DD} > 13V$	Latch off
Over Current Protection (OCP)	L	Active	Active	$CS > 2V$	Cycle by cycle	Auto Restart
Short Circuit Protection (SCP)	Active	1.5V fixed	Active	$TZE (peak) < 0.7V$	$TZE (peak) > 0.7V$	Auto Restart
Over Temperature Protection (OTP)	L	1.5V fixed	Active	$T_j > +150^{\circ}C$	$T_j < +125^{\circ}C$	Auto Restart

### 9. I/O Pin Equivalent Circuit Diagram

Figure 9-1. I/O Pin Equivalent Circuit Diagram

Pin No.	Pin Name	Equivalent Circuit Diagram
2	TZE	
3	COMP	
4	VAC	

Pin No.	Pin Name	Equivalent Circuit Diagram
5	ADJ	
6	CS	
8	DRV	

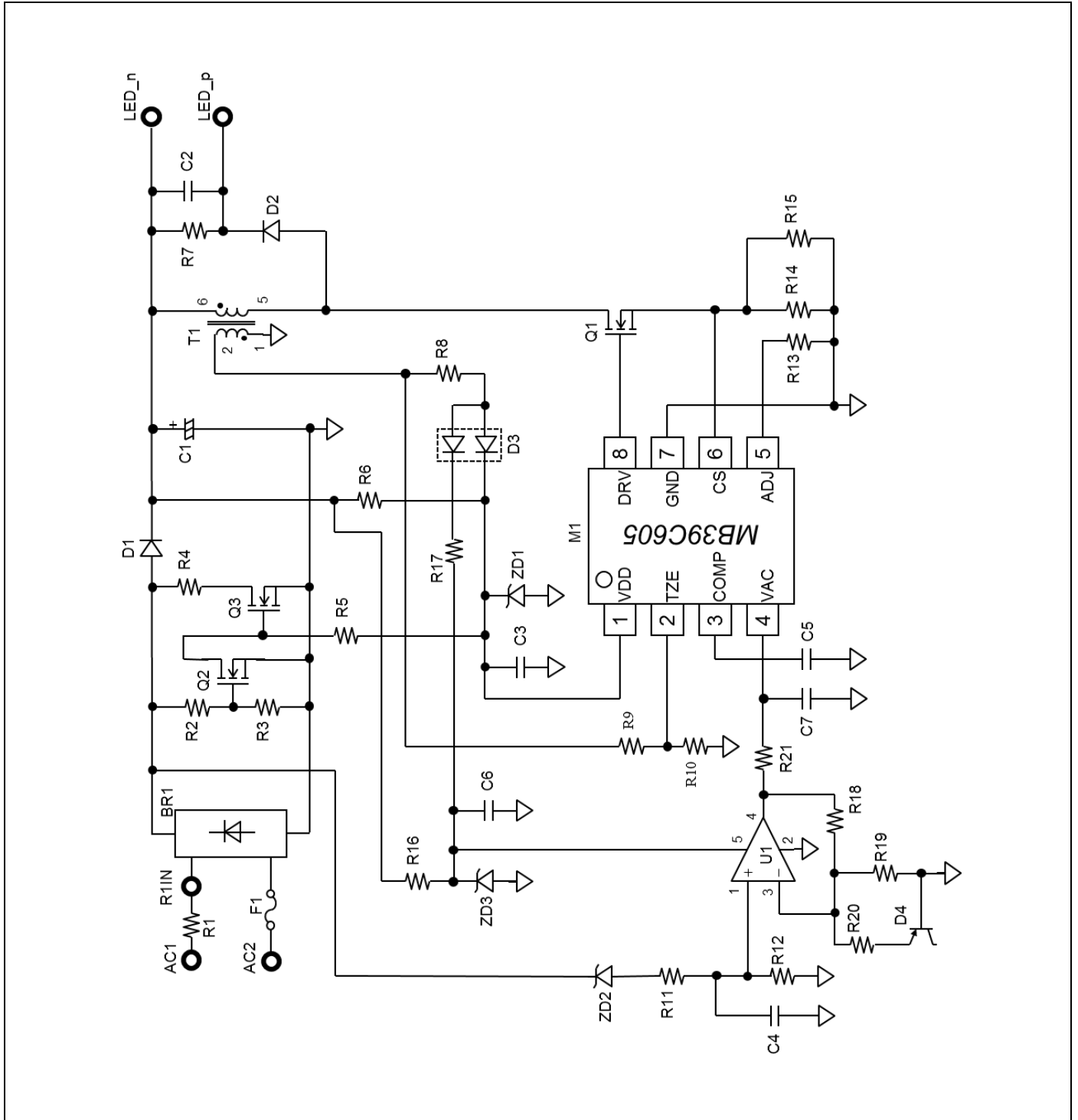


## 10. Application Examples

### 10.1 5W Non-isolated Dimming Application

Input: AC90V<sub>RMS</sub>~110V<sub>RMS</sub>, Output: 70mA/70V~76V, Ta = +25°C

Figure 10-1. 5W EVB Schematic

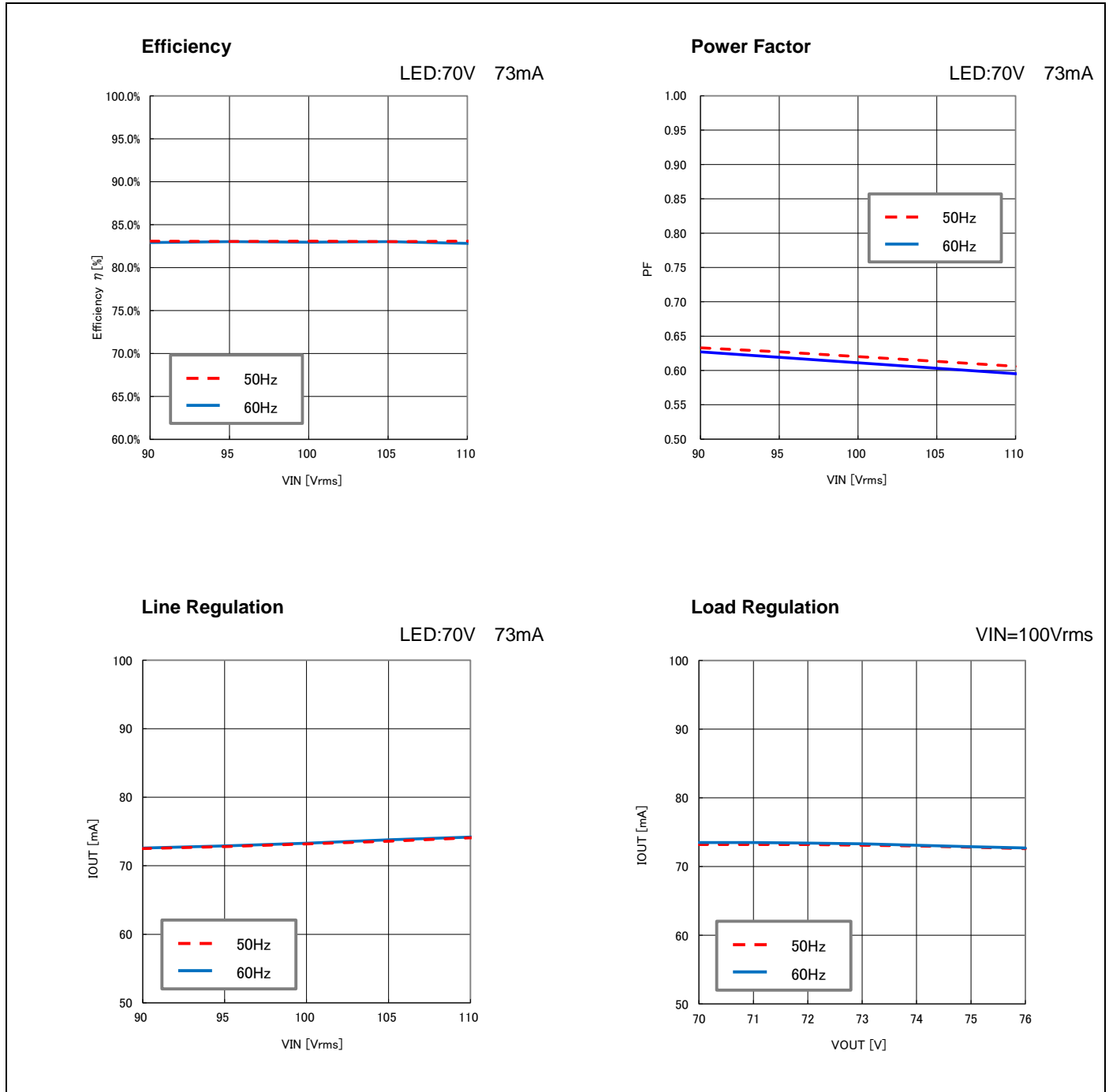


**Table 10-1. 5W BOM List**

No.	Component	Description	Part No.	Vendor
1	M1	LED driver IC SOP-8	MB39C605	Cypress
2	U1	Op-Amp, Low voltage Rail-to-Rail, 130µA, SOT-23-5	LMV321	TI
3	T1	Transformer, Lp = 550 µH Np/Na = 150/35	EE808	-
4	Q1	MosFET N-CH 600V 2.8A I-PAK	FQU5N60C	Fairchild
5	Q2	MosFET N-CH 60V 115mA SOT-23	2N7002	Fairchild
6	Q3	MosFET N-CH 600V 0.3A TO-92	FQN1N60C	Fairchild
7	BR1	Bridge Rectifiers, 0.5A, 600V, SOIC-4	MB6S	Fairchild
8	ZD1, ZD2	Diode, Zener, 18V, 500mW, SOD-123	MMSZ5248B	Fairchild
9	ZD3	Diode, Zener, 5.1V, 500mW, SOD-123	MMSZ4689	Fairchild
10	D1, D2	Diode, fast rectifier, 1A, 400V, SMA	ES1G	Fairchild
11	D3	Diode, 200mA, 200V, SOT-23	MMBD1405	Fairchild
12	D4	PNP Bipolar Transistor 12V 3A CPH3	CPH3106	On semiconductor
13	F1	Fuse, chip, 2A, AC/DC125V, 1206	3410.0035.01	Schurter Inc
14	C1	Capacitor, aluminum electrolytic, 8.2µF 200V φ8.0 × 11.0	200LLE8R2MEFC8X9	Rubycon
15	C2	Capacitor Ceramic 2.2µF 100V 1206	GRM31CR72A225KA73L	murata
16	C3	Capacitor Ceramic 4.7µF 35V 0603	-	-
17	C4, C7	Capacitor Ceramic 10µF 25V 0603	-	-
18	C5	Capacitor Ceramic 0.01µF 50V 0603	-	-
19	C6	Capacitor Ceramic 0.1µF 50V 0603	-	-
20	R1	Resistor, winding 10Ω 3W ±5%	-	-
21	R2, R11	Resistor, chip, 240kΩ, 1/10W, 0603	-	-
22	R3	Resistor, chip, 10kΩ, 1/10W, 0603	-	-
23	R4	Resistor, chip, 2kΩ, 1/4W, 1206	-	-
24	R5	Resistor, chip, 470kΩ, 1/10W, 0603	-	-
25	R6	Resistor, chip, 200kΩ 1/4W, 1206	-	-
26	R7	Resistor, chip, 100kΩ, 1/10W, 0603	-	-
27	R8	Resistor, chip, 10Ω, 1/10W, 0603	-	-
28	R9	Resistor, chip, 110kΩ, 1/10W, 0603	-	-
29	R10	Resistor, chip, 30kΩ, 1/10W, 0603	-	-
30	R12	Resistor, chip, 3.0kΩ, 1/10W, 0603	-	-
31	R13	Resistor, chip, 24kΩ, 1/10W, 0603	-	-
32	R14	Resistor, chip, 3.3Ω, 1/10W, 0603	-	-
33	R15	Resistor, chip, 4.7Ω, 1/10W, 0603	-	-
34	R16	Resistor, chip, 150kΩ 1/4W, 1206	-	-
35	R17	Resistor, chip, 5.1kΩ, 1/10W, 0603	-	-
36	R18	Resistor, chip, 36kΩ, 1/10W, 0603	-	-
37	R19	Resistor, chip, 150kΩ, 1/10W, 0603	-	-
38	R20	Resistor, chip, 3.3kΩ, 1/10W, 0603	-	-
39	R21	Resistor, chip, 1kΩ, 1/10W, 0603	-	-

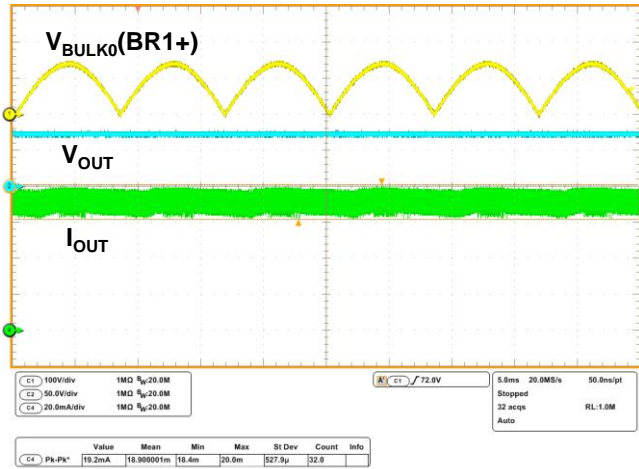
TI	:	Texas Instruments Incorporated
Fairchild	:	Fairchild Semiconductor International, Inc.
On Semiconductor	:	ON Semiconductor
Schurter Inc	:	Schurter Holding AG
Rubycon	:	Rubycon Corporation
muRata	:	Murata Manufacturing Co., Ltd.

**Figure 10-2. 5W Reference Data**



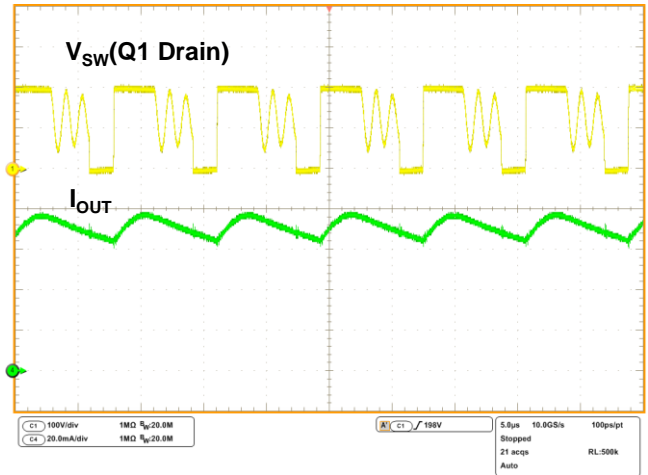
Output Ripple Waveform

$V_{IN}=100V_{RMS} / 60Hz$   
LED:70V 73mA



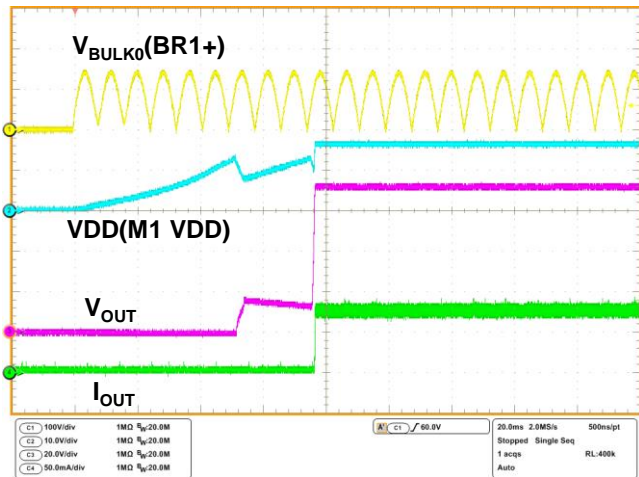
Switching Waveform

$V_{IN}=100V_{RMS} / 60Hz$   
LED:70V 73mA



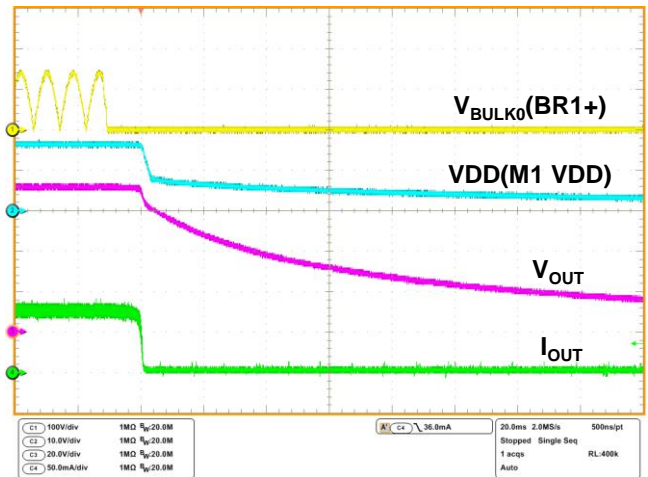
Turn-On Waveform

$V_{IN}=100V_{RMS} / 60Hz$   
LED:70V 73mA



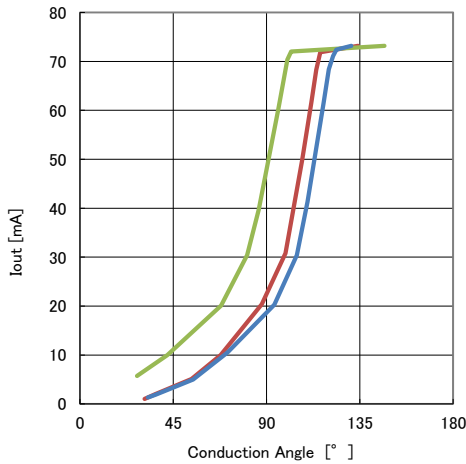
Turn-Off Waveform

$V_{IN}=100V_{RMS} / 60Hz$   
LED:70V 73mA



**Dimming Curve**

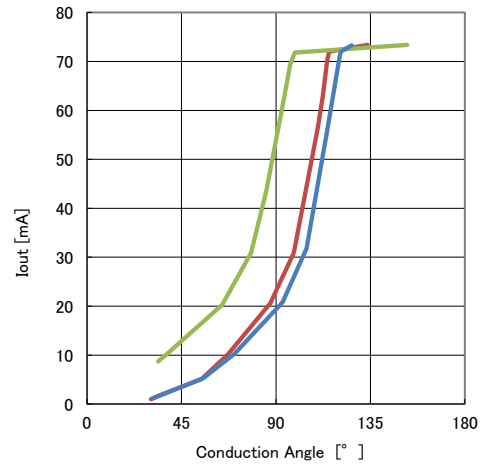
$V_{IN}=100V_{RMS} / 50Hz$   
LED:70V 73mA



— : DVCL-123P-JA  
— : WTC 57521  
— : WDG9001

**Dimming Curve**

$V_{IN}=100V_{RMS} / 60Hz$   
LED:70V 73mA

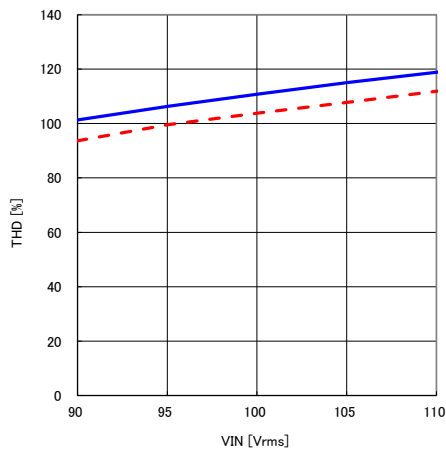


— : DVCL-123P-JA  
— : WTC 57521  
— : WDG9001

Dimmer		Input Condition	Type	Minimum	Minimum	Maximum	Maximum
Vendor	Parts Name			Angle (°)	$I_{OUT}$ (mA)	Angle (°)	$I_{OUT}$ (mA)
LUTRON	DVCL-123P-JA	$V_{IN}=100V_{rms}$ 50Hz (Japan Dimmer)	Leading Edge	32.8	1.3	130.9	73.2
Panasonic	WTC 57521			31.1	1.0	134.1	73.2
TOSHIBA	WDG9001		Trailing Edge	27.5	5.7	146.9	73.2
LUTRON	DVCL-123P-JA	$V_{IN}=100V_{rms}$ 60Hz (Japan Dimmer)	Leading Edge	31.3	1.2	126.1	73.3
Panasonic	WTC 57521			30.5	1.0	133.7	73.4
TOSHIBA	WDG9001		Trailing Edge	33.9	8.7	152.5	73.4

**Total Harmonic Distortion(THD)**

LED:70V 73mA



## 11. Usage Precautions

### **Do not configure the IC over the maximum ratings.**

If the IC is used over the maximum ratings, the LSI may be permanently damaged.

It is preferable for the device to normally operate within the recommended usage conditions. Usage outside of these conditions can have an adverse effect on the reliability of the LSI.

### **Use the device within the recommended operating conditions.**

The recommended values guarantee the normal LSI operation under the recommended operating conditions.

The electrical ratings are guaranteed when the device is used within the recommended operating conditions and under the conditions stated for each item.

### **Printed circuit board ground lines should be set up with consideration for common impedance.**

### **Take appropriate measures against static electricity.**

- Containers for semiconductor materials should have anti-static protection or be made of conductive material.
- After mounting, printed circuit boards should be stored and shipped in conductive bags or containers.
- Work platforms, tools, and instruments should be properly grounded.
- Working personnel should be grounded with resistance of 250 kΩ to 1 MΩ in serial between body and ground.

### **Do not apply negative voltages.**

The use of negative voltages below - 0.3 V may make the parasitic transistor activated to the LSI, and can cause malfunctions.

## 12. Ordering Information

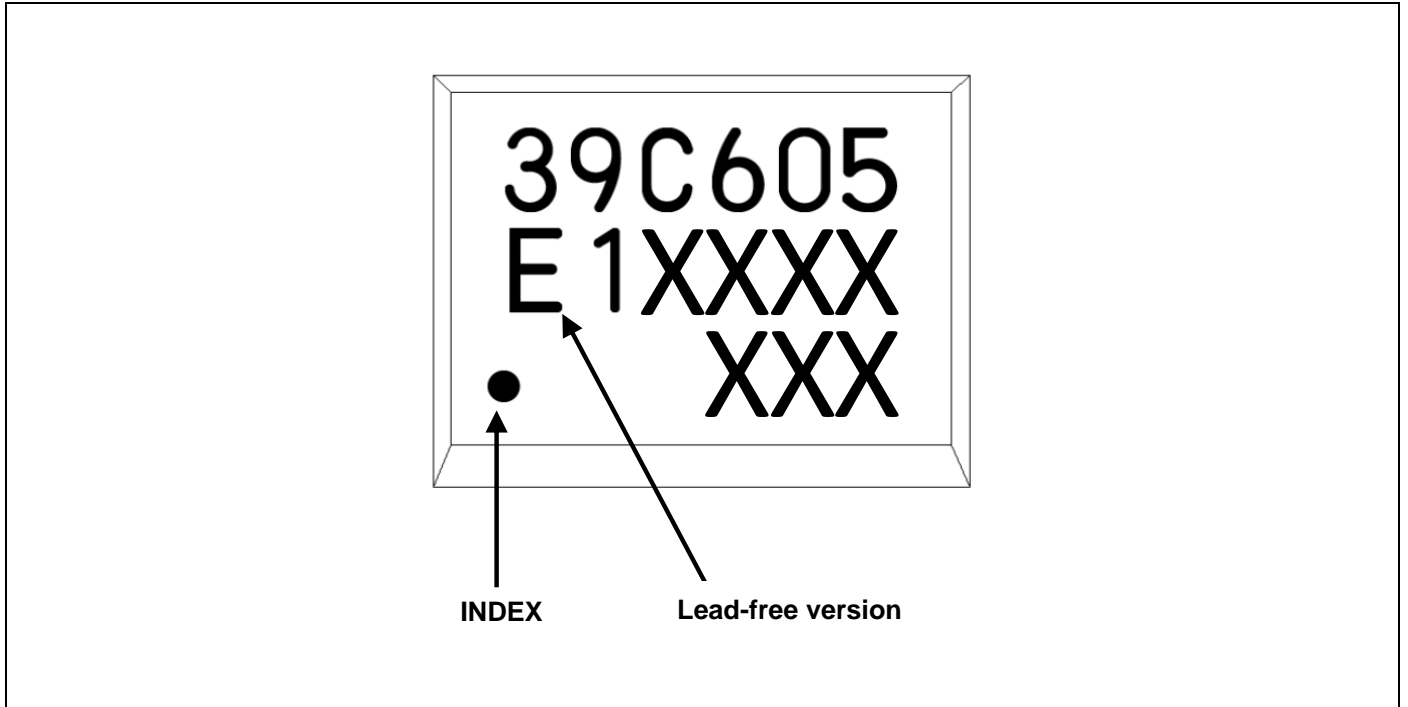
**Table 12-1. Ordering Information**

Part Number	Package	Shipping Form
MB39C605PNF-G-JNEFE1	8-pin plastic SOP (FPT-8P-M02)	Emboss
MB39C605PNF-G-JNE1		Tube



### 13. Marking Format

Figure 13-1. Marking Format



## 14. Recommended Mounting Condition [JEDEC Level3] Lead Free

### 14.1 Recommended Reflow Condition

Table 14-1. Recommended Reflow Condition

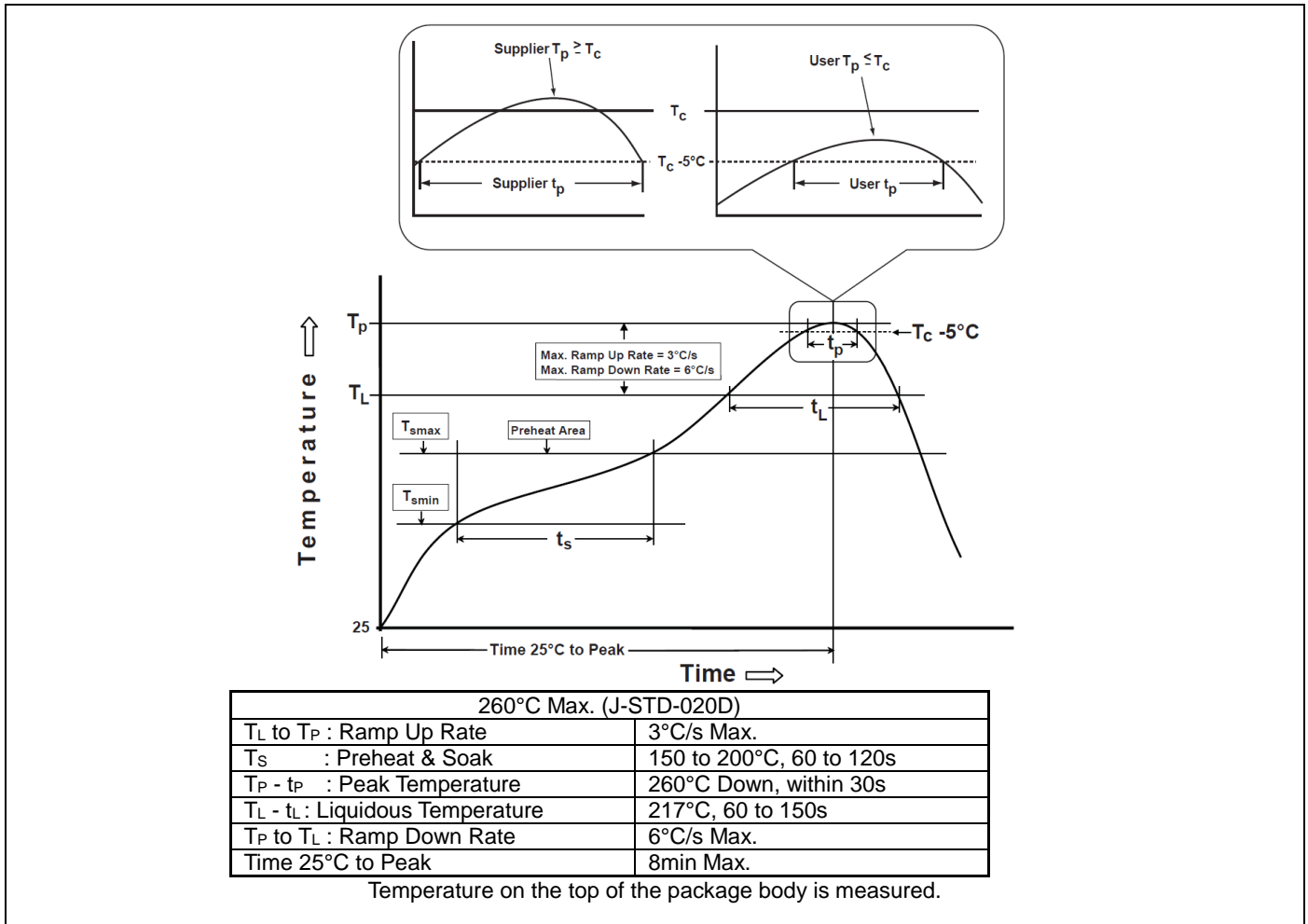
Items	Contents	
Method	IR(Infrared Reflow) / Convection	
Times	3 times in succession	
Floor life	Before unpacking	Please use within 2 years after production.
	From unpacking to reflow	Within 7 days
	In case over period of floor life(*1)	Baking with 125°C+/-3°C for 24hrs+2hrs/-0hrs is required. Then please use within 7 days. (Please remember baking is up to 2 times)
Floor life condition	Between 5°C and 30°C and also below 60%RH required. (It is preferred lower humidity in the required temp range.)	

\*1: Concerning the Tape & Reel product, please transfer product to heatproof tray and so on when you perform baking.

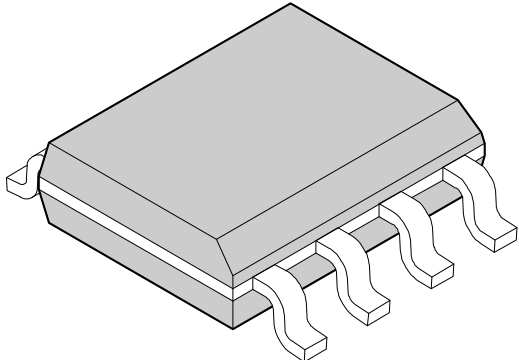
Also please prevent lead deforming and ESD damage during baking process.

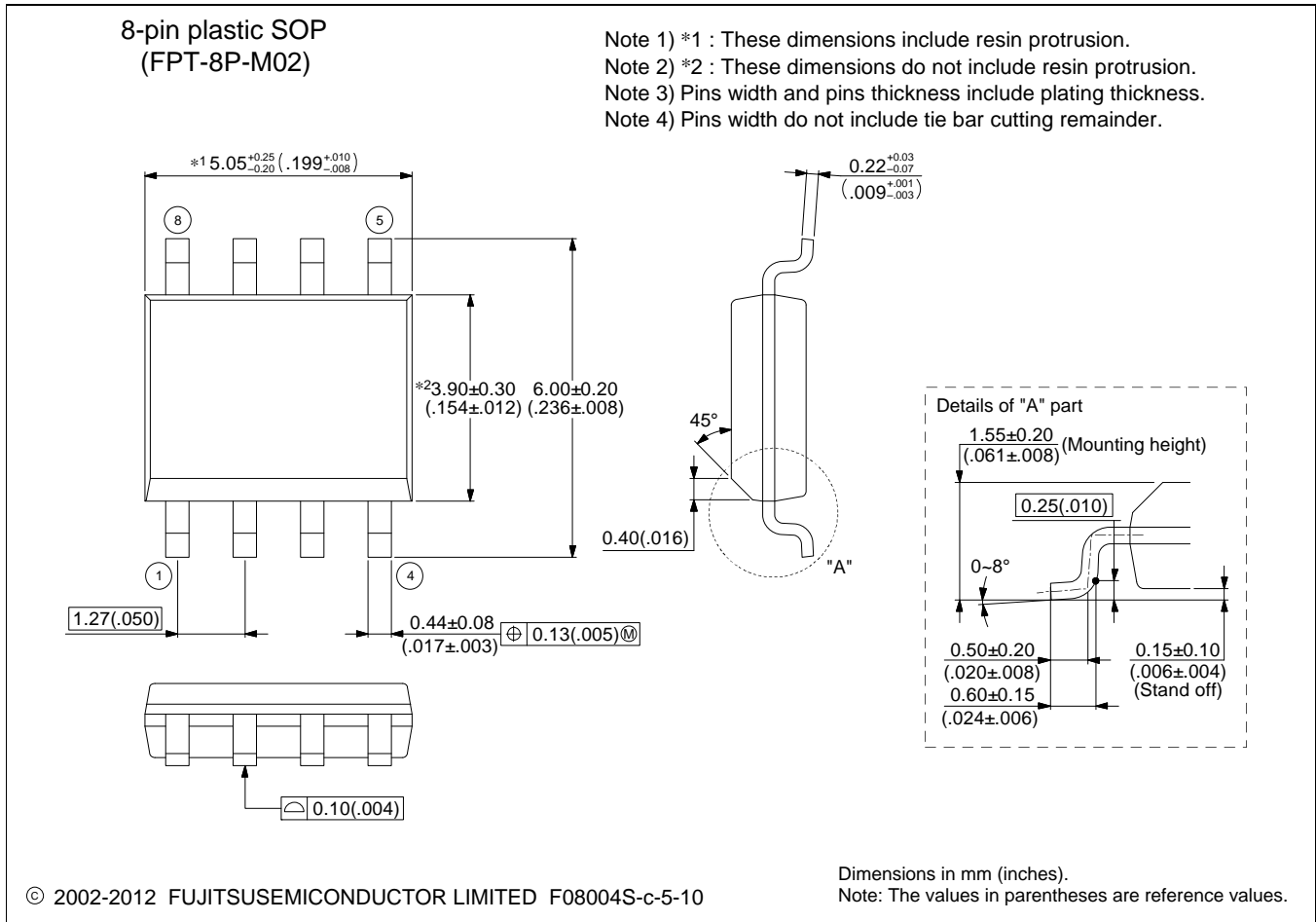
### 14.2 Reflow Profile

Figure 14-1. Reflow Profile



**15. Package Dimensions**

<p style="text-align: center;">8-pin plastic SOP</p>  <p style="text-align: center;">(FPT-8P-M02)</p>	Lead pitch	1.27 mm
	Package width × package length	3.9 mm × 5.05 mm
	Lead shape	Gullwing
	Sealing method	Plastic mold
	Mounting height	1.75 mm MAX
	Weight	0.06 g



## 16. Major Changes

Spanion Publication Number: MB39C605-DS405-00017

Page	Section	Descriptions
Revision 1.0		
-	-	Initial release
Revision 2.0		
16	11.6 Zero Voltage Switching Function	Corrected the $R_{ADJ}$ formula
20	13. Application Examples	Added Application Examples
26	15. Ordering Information	Added Shipping in Table 15-1
-	-	Rewrote entire document for improving the ease of understanding (the original intentions are remained unchanged).
Revision 3.0		
8	7. Absolute Maximum Ratings	Removed ESD Voltage (Machine Model) from Table 7-1
-	Labeling Sample	Removed section of Labeling Sample
28	17. Recommended mounting condition [JEDEC Level3] Lead Free	Changed Recommended Condition from three conditions to one condition "JEDEC LEVEL3"

**NOTE:** Please see "Document History" about later revised information.

## 17. Document History

**Document Title: MB39C605 Phase Dimmable PSR LED Driver IC for LED Lighting**

**Document Number: 002-08444**

Revision	ECN	Orig. of Change	Submission Date	Description of Change
**	-	TOYO	02/20/2015	Migrated to Cypress and assigned document number 002-08444. No change to document contents or format.
*A	5211375	TOYO	04/12/2016	Updated to Cypress format.

## Sales, Solutions, and Legal Information

### Worldwide Sales and Design Support

Cypress maintains a worldwide network of offices, solution centers, manufacturer's representatives, and distributors. To find the office closest to you, visit us at [Cypress Locations](#).

#### Products

ARM® Cortex® Microcontrollers	<a href="http://cypress.com/arm">cypress.com/arm</a>
Automotive	<a href="http://cypress.com/automotive">cypress.com/automotive</a>
Clocks & Buffers	<a href="http://cypress.com/clocks">cypress.com/clocks</a>
Interface	<a href="http://cypress.com/interface">cypress.com/interface</a>
Lighting & Power Control	<a href="http://cypress.com/powerpsoc">cypress.com/powerpsoc</a>
Memory	<a href="http://cypress.com/memory">cypress.com/memory</a>
PSoC	<a href="http://cypress.com/psoc">cypress.com/psoc</a>
Touch Sensing	<a href="http://cypress.com/touch">cypress.com/touch</a>
USB Controllers	<a href="http://cypress.com/usb">cypress.com/usb</a>
Wireless/RF	<a href="http://cypress.com/wireless">cypress.com/wireless</a>

#### PSoC® Solutions

[PSoC 1](#) | [PSoC 3](#) | [PSoC 4](#) | [PSoC 5LP](#)

#### Cypress Developer Community

[Forums](#) | [Projects](#) | [Videos](#) | [Blogs](#) | [Training](#) | [Components](#)

#### Technical Support

[cypress.com/support](http://cypress.com/support)

ARM and Cortex are the registered trademarks of ARM Limited in the EU and other countries.

© Cypress Semiconductor Corporation, 2014-2016. This document is the property of Cypress Semiconductor Corporation and its subsidiaries, including Spansion LLC ("Cypress"). This document, including any software or firmware included or referenced in this document ("Software"), is owned by Cypress under the intellectual property laws and treaties of the United States and other countries worldwide. Cypress reserves all rights under such laws and treaties and does not, except as specifically stated in this paragraph, grant any license under its patents, copyrights, trademarks, or other intellectual property rights. If the Software is not accompanied by a license agreement and you do not otherwise have a written agreement with Cypress governing the use of the Software, then Cypress hereby grants you a personal, non-exclusive, nontransferable license (without the right to sublicense) (1) under its copyright rights in the Software (a) for Software provided in source code form, to modify and reproduce the Software solely for use with Cypress hardware products, only internally within your organization, and (b) to distribute the Software in binary code form externally to end users (either directly or indirectly through resellers and distributors), solely for use on Cypress hardware product units, and (2) under those claims of Cypress's patents that are infringed by the Software (as provided by Cypress, unmodified) to make, use, distribute, and import the Software solely for use with Cypress hardware products. Any other use, reproduction, modification, translation, or compilation of the Software is prohibited.

TO THE EXTENT PERMITTED BY APPLICABLE LAW, CYPRESS MAKES NO WARRANTY OF ANY KIND, EXPRESS OR IMPLIED, WITH REGARD TO THIS DOCUMENT OR ANY SOFTWARE OR ACCOMPANYING HARDWARE, INCLUDING, BUT NOT LIMITED TO, THE IMPLIED WARRANTIES OF MERCHANTABILITY AND FITNESS FOR A PARTICULAR PURPOSE. To the extent permitted by applicable law, Cypress reserves the right to make changes to this document without further notice. Cypress does not assume any liability arising out of the application or use of any product or circuit described in this document. Any information provided in this document, including any sample design information or programming code, is provided only for reference purposes. It is the responsibility of the user of this document to properly design, program, and test the functionality and safety of any application made of this information and any resulting product. Cypress products are not designed, intended, or authorized for use as critical components in systems designed or intended for the operation of weapons, weapons systems, nuclear installations, life-support devices or systems, other medical devices or systems (including resuscitation equipment and surgical implants), pollution control or hazardous substances management, or other uses where the failure of the device or system could cause personal injury, death, or property damage ("Unintended Uses"). A critical component is any component of a device or system whose failure to perform can be reasonably expected to cause the failure of the device or system, or to affect its safety or effectiveness. Cypress is not liable, in whole or in part, and you shall and hereby do release Cypress from any claim, damage, or other liability arising from or related to all Unintended Uses of Cypress products. You shall indemnify and hold Cypress harmless from and against all claims, costs, damages, and other liabilities, including claims for personal injury or death, arising from or related to any Unintended Uses of Cypress products.

Cypress, the Cypress logo, Spansion, the Spansion logo, and combinations thereof, PSoC, CapSense, EZ-USB, F-RAM, and Traveo are trademarks or registered trademarks of Cypress in the United States and other countries. For a more complete list of Cypress trademarks, visit [cypress.com](http://cypress.com). Other names and brands may be claimed as property of their respective owners.