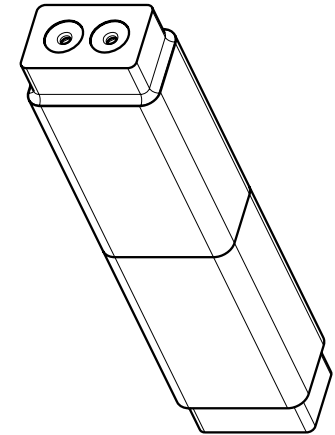
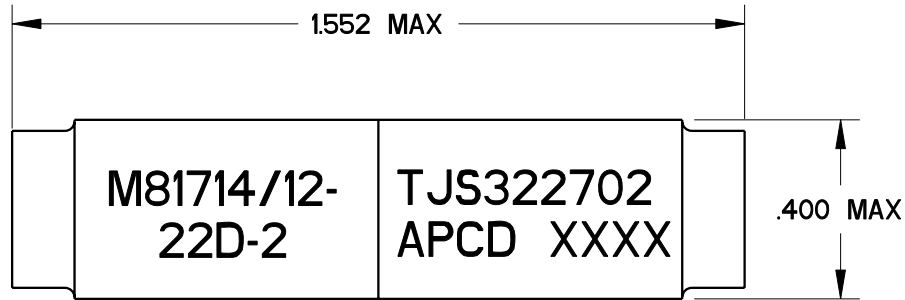
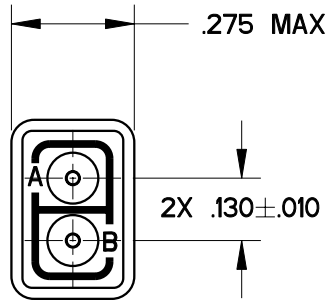


REV	ECN	APP'D
-	5882	



NOTES:

- PART MEETS ALL REQUIREMENTS OF MIL-T-81714/12
- MATERIALS:
GROMMET - SILICONE RUBBER, COLOR: BLUE
INSULATOR - THERMOPLASTIC
INTERNAL CONTACT - COPPER ALLOY
CONTACT RETAINER CLIPS - STAINLESS STEEL ALLOY
- MODULE ACCEPTS M39029/1-100 PIN CONTACTS, SEE TABLE.

PART NO.	DESCRIPTION	P/N MARKING
TJS322602	CONTACTS NOT SUPPLIED	TJS322702
TJS322702	FIVE (5) CNP068000 INCLUDED	

DIMENSIONS ANSI Y14.5M UNITS: INCHES Pro/E FILE	TOLERANCES .XX ±0.01 .XXX ±0.005 ANGLES ±0.5°	PROJECTION 	<h1>Amphenol Pcd</h1> <p>SPECIFICATION DRAWING</p>		TITLE TERMINAL JUNCTION SPLICE DOUBLE UN-BUSSED, SIZE 22		
			DRWN R. SWAINE 06/29/06	ENGR			
THIS DOCUMENT CONTAINS PROPRIETARY INFORMATION WHICH IS THE CONFIDENTIAL PROPERTY OF AMPHENOL PCD, BEVERLY, MA			APPD	CODE: 58982	SCALE: 8:3	SHEET 1 OF 1	