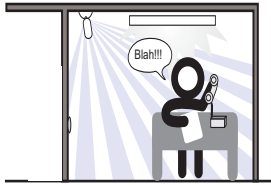


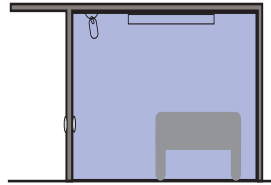
HOW PASSIVE ACOUSTIC WORKS



To turn the lights on, the LO-DIA must first detect body heat (PIR).



Once the lights are on, common office sounds will keep the lights on.



After the office is vacant, the timer will time-out and turn the lights out.

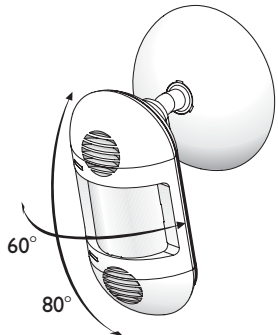
Sensing Methods:

PIR: Detects body heat through Fresnel™ lens.

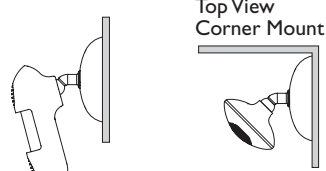
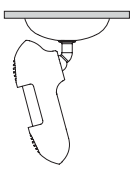
Acoustic: Detects common office sounds through small microphones.

*Note: Microphone is only used as signal level device - no voices can be recorded.

INSTALLATION OPTIONS



Ceiling Mount



Top View
Corner Mount

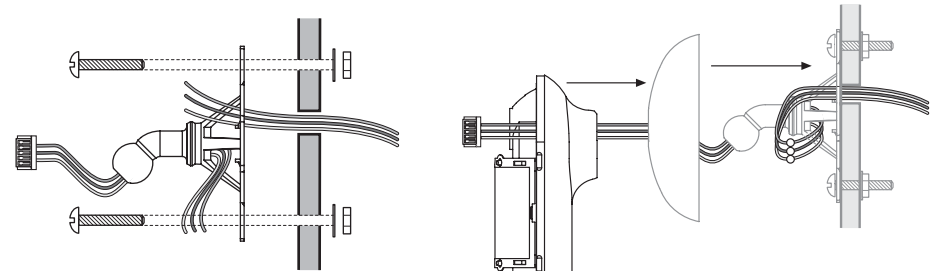
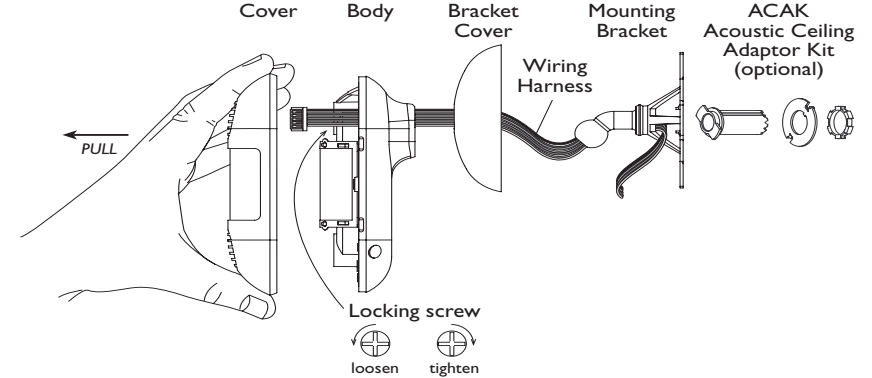
Wall Mount

TROUBLESHOOTING

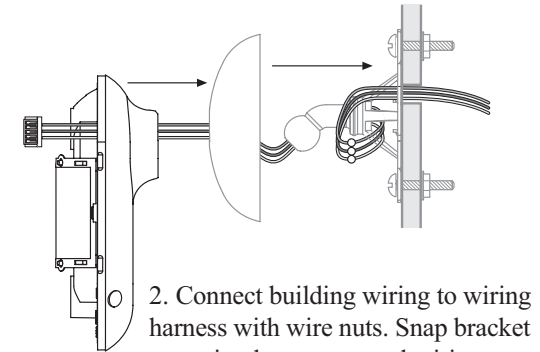
Problem	Possible Cause	Test	Result
Lights stay off	Bad low voltage wiring	Connect red to blue wire at power pack	Force lights on
Lights stay off	Bad high voltage wiring	Connect red to red (relay wires)	Force lights on
Lights stay on	Constant Noise	Reduce red knob by 15%; remove noise source	Move sensor
Lights on too long	Timer setting too high	Check switch settings	Typical setting is 8 minutes
Hallway traffic turns lights on	Infrared sensor can "see" into hallway	Put in timer test mode walk hallway	Move sensor

Hubbell Building Automation, Inc.
9601 Dessau Road • Building One • Suite 100
Austin, Texas 78754
512-450-1100 • 512-450-1215 Fax

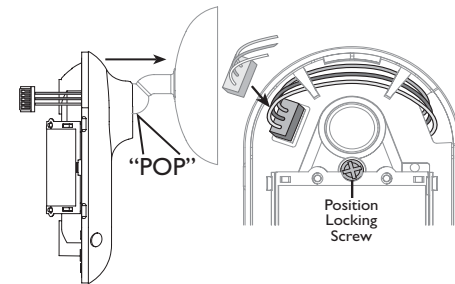
LightOwl Dual Technology Passive Infrared and Acoustic Installation and Operation Instructions



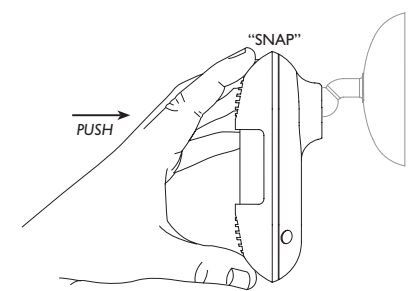
1. Insert wiring through bracket legs. Secure bracket to wall or ceiling. Refer to "Installation Options".



2. Connect building wiring to wiring harness with wire nuts. Snap bracket cover in place to conceal wiring and bracket. Feed wiring harness through the back of the sensor body and out exit slot.

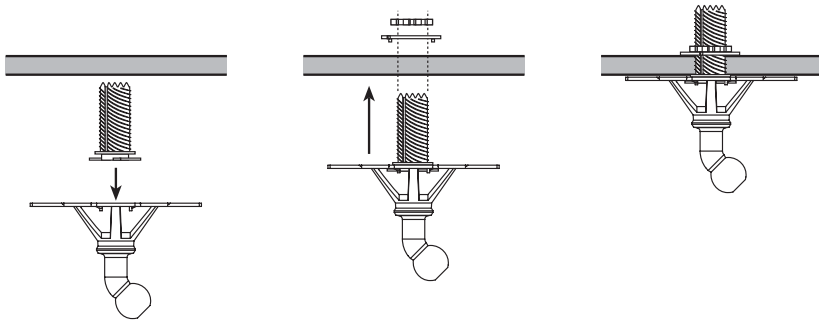


3. Snap sensor onto mounting post. Plug wiring harness into connector located on the left side opposite exit slot and place wiring under wire tabs. Align sensor and tighten adjustment screw.



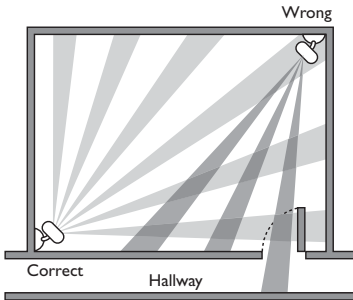
7. Replace sensor cover.

ACAK INSTALLATION (optional)



Insert ACAK into mounting bracket and twist clockwise 90° to lock in place. Screw bracket and self-cutting AKAC into ceiling tile and secure with washer and nut.

SENSOR PLACEMENT



When placing the sensor in a room do not place where the sensor is aimed out through a door. The sensor can detect hallway traffic, causing lights-on.

CONTROLS

Factory setting		OFF	ON
1	Auto	Manual lights on	Manual lights on
2	No timer	Not used	Not used
3	LED on (normal)	LED off	LED off
4	Any change resets learned settings		

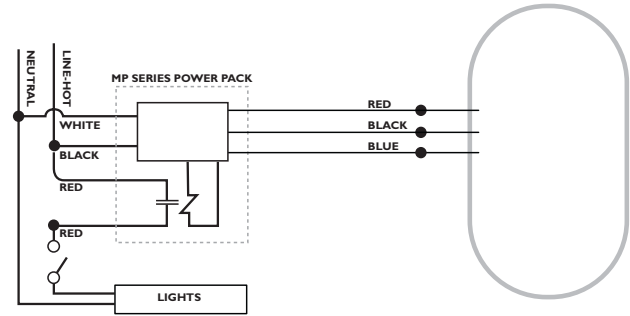
BI	OFF	8	OFF	4	ON	15	ON	30
1	OFF	Min.	ON	Min.	OFF	Min.	ON	Min.
3	Auto timer adjust on				Auto timer adjust off			
4	Auto sens. adjust on				Auto sens. adjust off			

White
Timer/Test Mode
Push in: 8 second timer
Push and Hold:
(Flash) Normal Timer

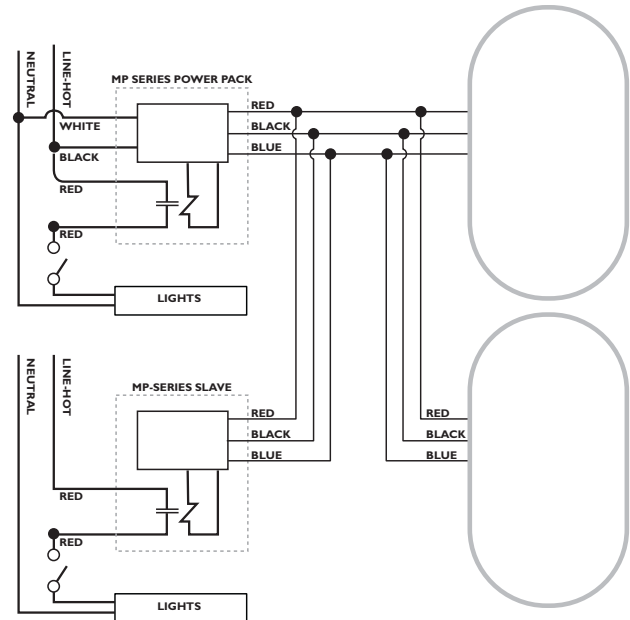
Red
Infrared Sensitivity
Factory setting: 75%

Blue
PhotoCell (optional)
Full CW: PhotoCell disabled
Full CW: Lights kept off by minimal ambient light
See - RP Instructions

WIRING: SINGLE SENSOR, SINGLE POWER PACK



WIRING: SINGLE SENSOR, MULTIPLE POWER PACKS



Note: One MP-Voltage Series Power Pack will supply 3 of any unit, 3 sensors, 2 sensors and 1 slave or any combination.