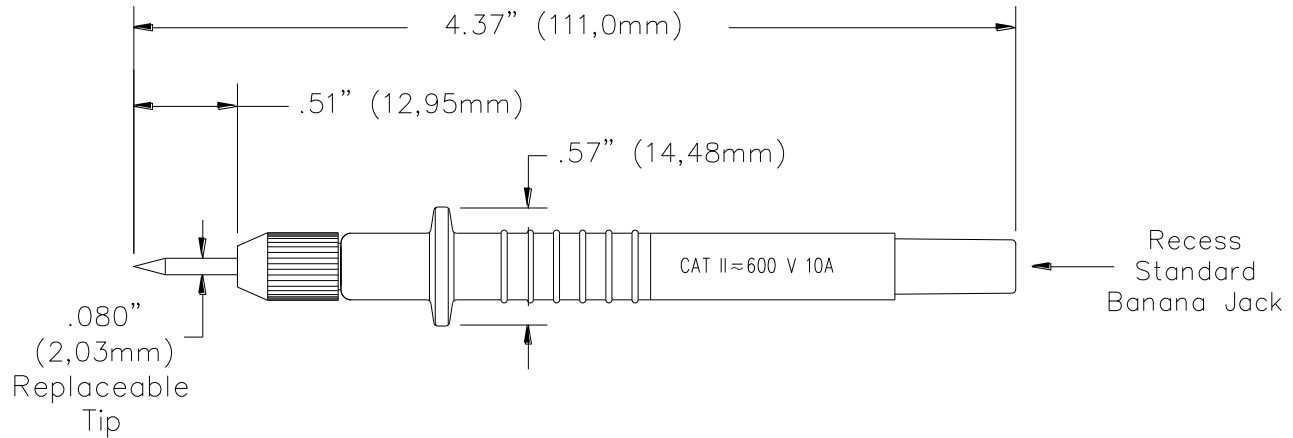


**Model 5689A**  
**Replaceable Tip Test Probe with Banana Jack****FEATURES:**

- Modular Test Probe
- Replaceable tip
- Comes with two Stainless-Steel Sharp Point Tips: Model 4172

**MATERIALS:**

Replaceable Tip Probe: Stainless Steel  
Tip O.D.: 0.080"  
Body: Nylon

**RATINGS:**

Operating Voltage: 600 Vrms per IEC 61010-031, Category II.  
Operating Current: 10 Amperes

**ORDERING INFORMATION:**

Model 5689A

**Replaceable Tips:**

Model **5133**: SMD Microtip, Stainless-Steel Sharp Point  
Model **6364**: Set of replaceable tips

- 5688: Standard
- 4174: Stainless-Steel Sharp Point
- 5133: SMD Microtip, Stainless-Steel Sharp Point
- 4988: Needle Stainless-Steel Sharp Point

**Modular Test Leads:**

Model 5907A: Right-Angle Banana Plug to Straight Banana Plug  
Model 5908A: Straight Banana Plug to Straight Banana Plug  
Model 5909A: Right-Angle Banana Plug to Right-Angle Banana Plug



**USA:** Sales: 800-490-2361  
Technical Support: [technicalsupport@pomonatest.com](mailto:technicalsupport@pomonatest.com)  
Fax: 425-446-5844

**Europe:** 31-(0) 40 2675 150 **International:** 425-446-5500  
**Where to Buy:** [www.pomonaelectronics.com](http://www.pomonaelectronics.com)

All dimensions are in inches. Tolerances (except noted): .xx = ±.02" (.51 mm), .xxx = ±.005" (.127 mm). All specifications are to the latest revisions. Specifications are subject to change without notice. Registered trademarks are the property of their respective companies.