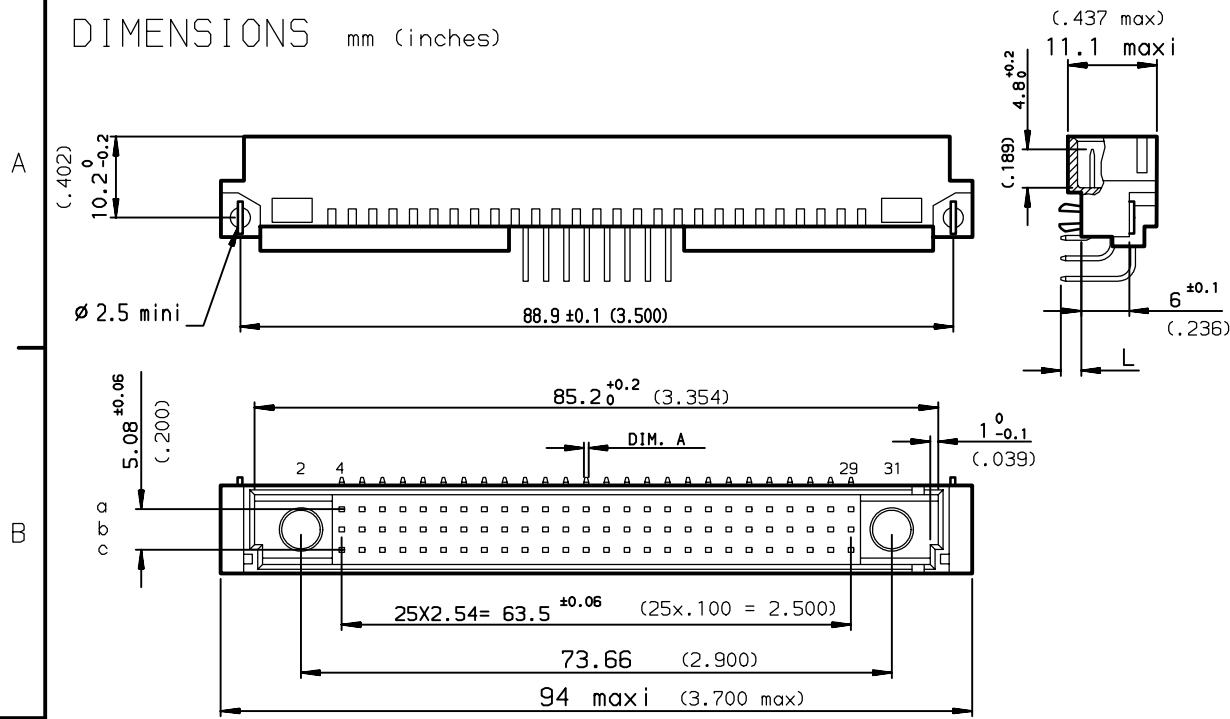


DIMENSIONS mm (inches)



GENERAL CHARACTERISTICS AND ROHS INFORMATIONS:
SEE DRAWING C-8609-0000A

TIN LEAD	LEAD FREE	
8609 378 A1 13 755 000 E1	8609 378 A1 13 755 E1 LF	Style M header, 78 Position, solder to board, class 2

Application specific part-numbers: See sheet 2

European Views

www.fciconnect.com		surface ISO 1302 ✓	tolerance std ISO 406 ISO 1101	projection mm	size A3	Scale 1.5
TOLERANCES UNLESS OTHERWISE SPECIFIED						
Dr	ROUILLARD	1992/09/16	ANGULAR	LINEAR	0.X ± 0.1	0.XX ± 0.1
Eng	TARON	1992/09/16	0.XX' ± 2'	0.XXX ± 0.1	ECN	LS06-0097
Chr	LEGARE	1992/09/16	Product family		DIN 8609	
Appr	LEGARE	1992/09/16	Spec ref		-	
rev	ecn no	dr	date		-	
E	-	ROU	2002/08/30		-	
F	LS05-001	JTA	2005/03/04		-	
G	LS06-0097	LGO	2006/07/11		-	
-	-	-	-		-	
-	-	-	-		-	
-	-	-	-		-	
-	-	-	-		-	

FCI	RIGHT ANGLE HEADER - STYLE M	C-8609-0309-1	G
	SOLDER TO BOARD		
catalog no	-	CUSTOMER	sheet 1 of 1

