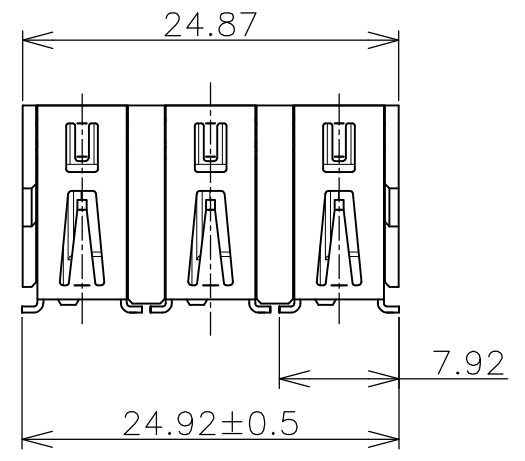


THIS DRAWING IS UNPUBLISHED. RELEASED FOR PUBLICATION
 © COPYRIGHT 2004 By - ALL RIGHTS RESERVED.

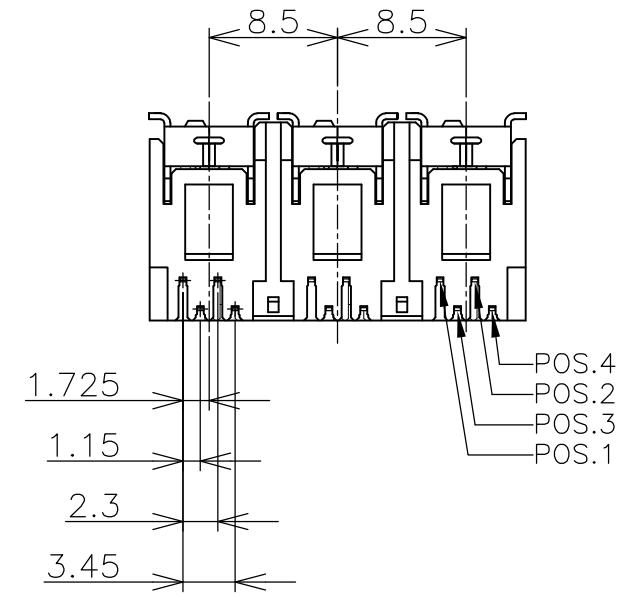
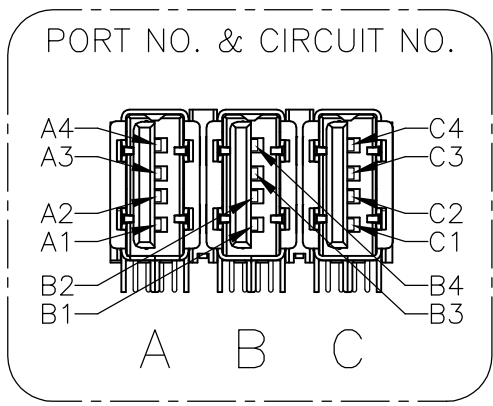
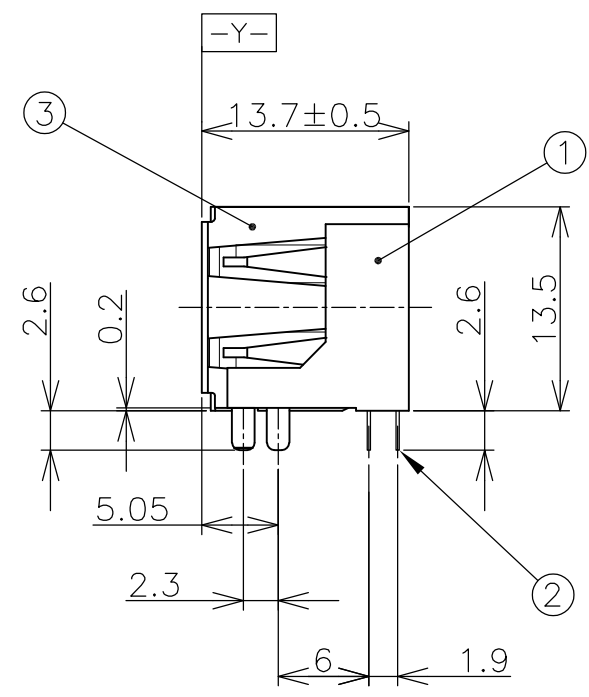
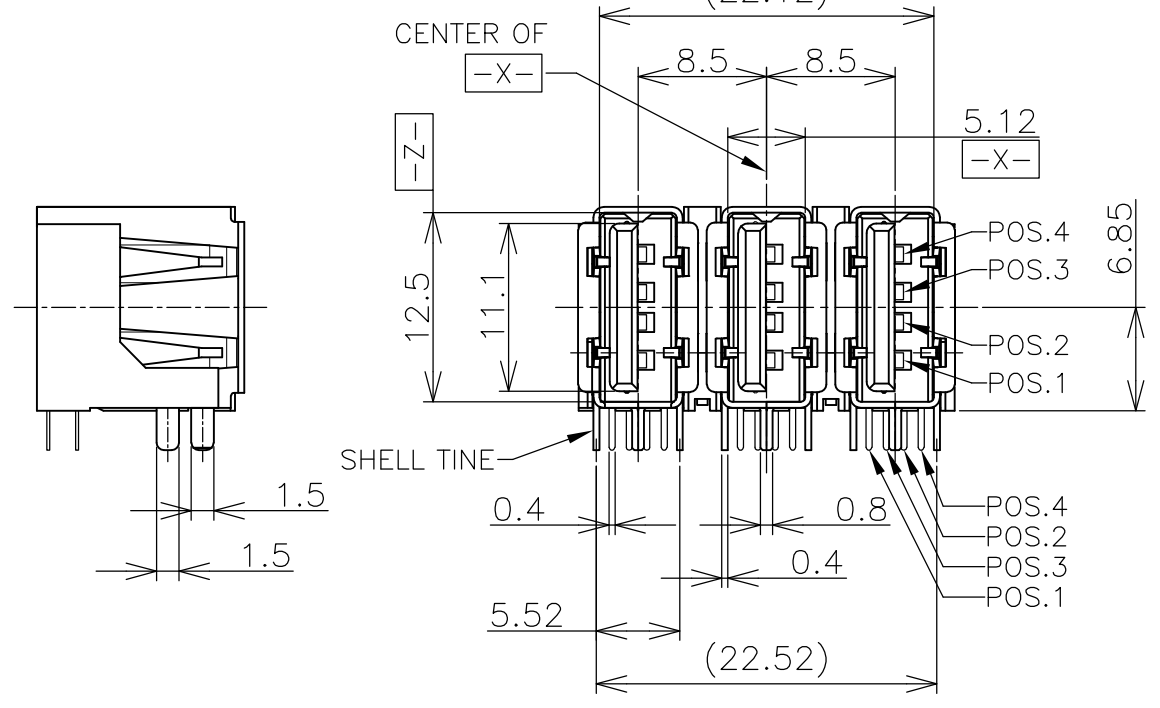
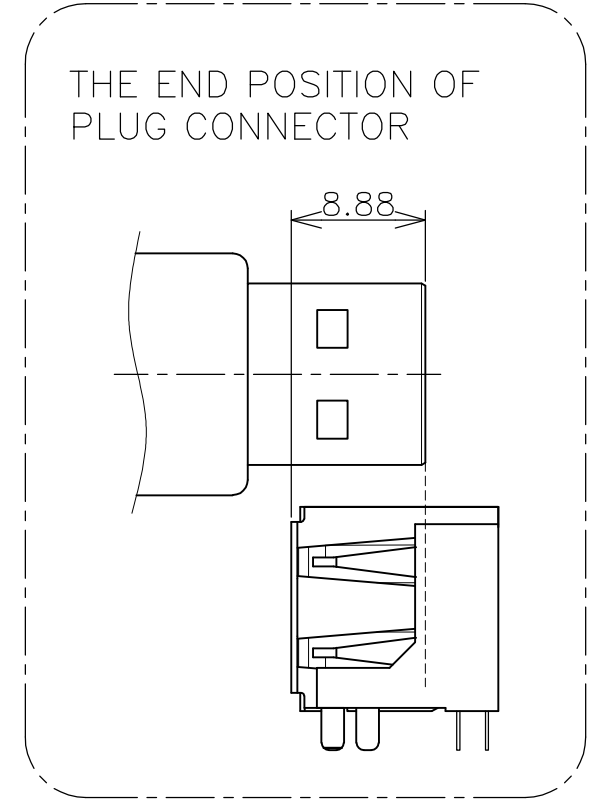
LOC	DIST	REVISIONS					
J	/	P	LTR	DESCRIPTION	DATE	DWN	APVD
			B1	REVISED PER ECO-11-005030	11MAR11	RK	HMR

FRONT SHELL	③
CONTACT	②
HOUSING	①
NAME	ITEM No.

1-1674451-3
 1674451-3
 AS SHOWN



- ① MATERIAL
 HOUSING:THERMO-PLASTICS UL94V-0 NATURAL
 CONTACT:COPPER ALLOY
 FRONT SHELL:COPPER ALLOY
- ② FINISH
 CONTACT:NICKEL UNDER PLATE ALL OVER.
 CONTACT AREA:GOLD PLATE
 TINE AREA:TIN PLATE
 FRONT SHELL:TIN PLATE
- ③ FINISH
 CONTACT:NICKEL UNDER PLATE ALL OVER.
 CONTACT AREA:GOLD PLATE
 TINE AREA:TIN-LEAD PLATE
 FRONT SHELL:TIN-LEAD PLATE



SEE SHEET 3, 4	③	1-1674451-4
	②	1674451-4
SEE SHEET 1, 2	③	1-1674451-3
	②	1674451-3
REMARK	FINISH	PART NO.

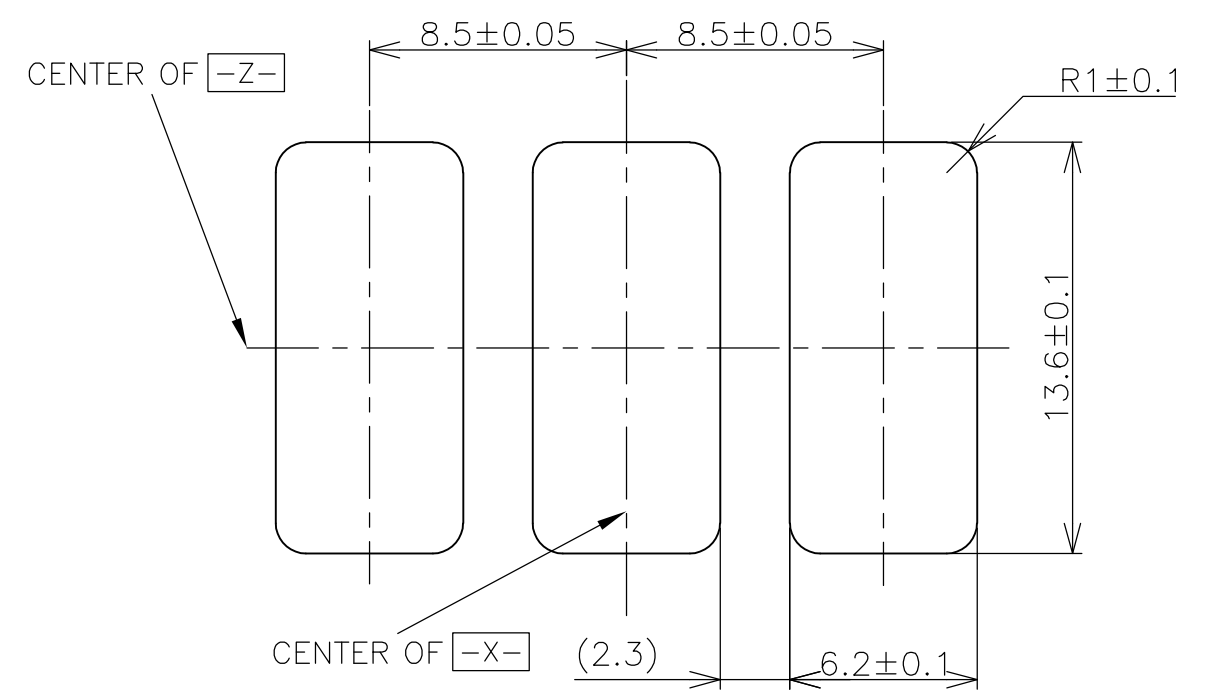
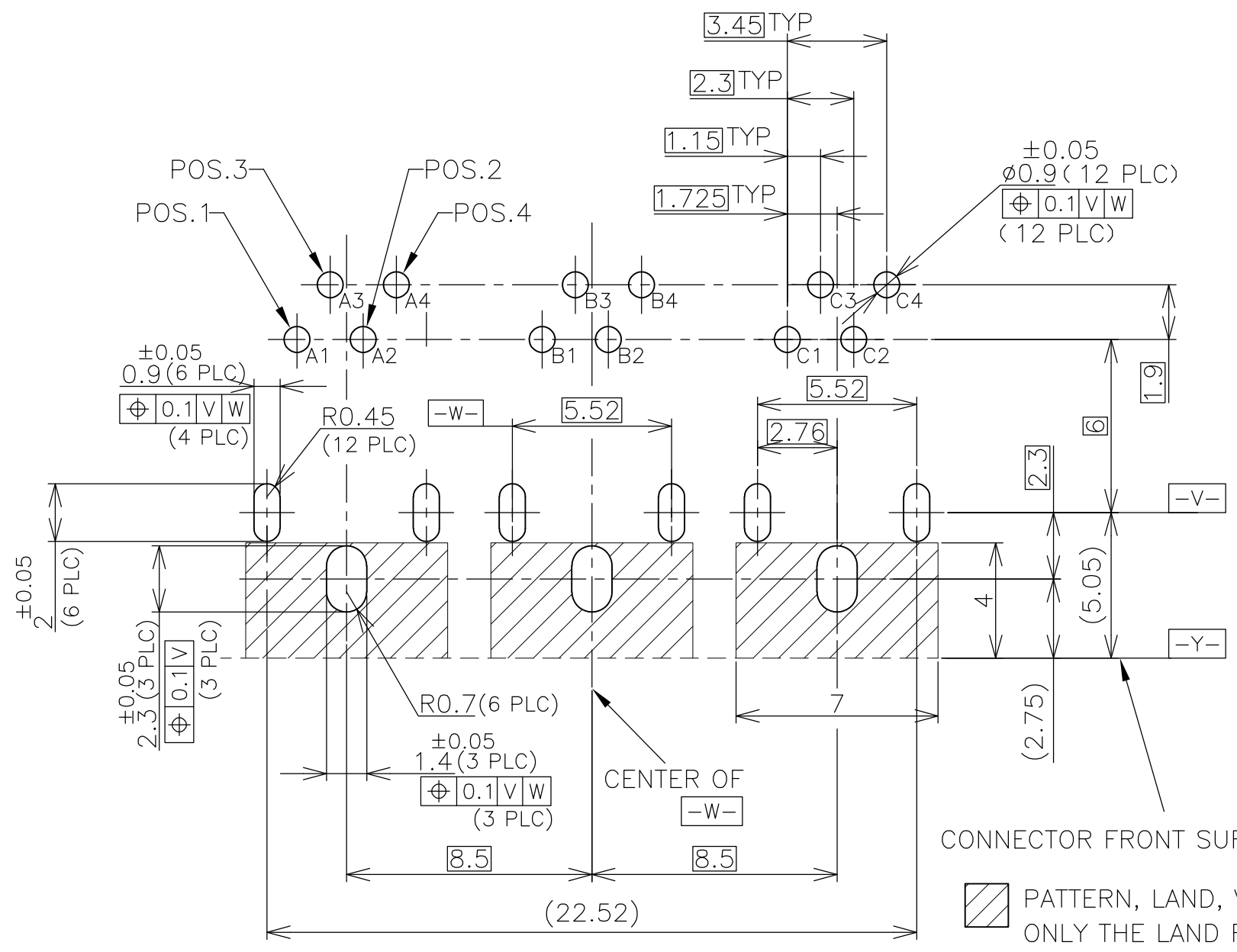
THIS DRAWING IS A CONTROLLED DOCUMENT.		DWN M.UMEHARA 16DEC03	TE Connectivity	
DIMENSIONS: 单位: 耗 MM		CHK S.KAJINUMA 16DEC03		
TOLERANCES UNLESS OTHERWISE SPECIFIED: 一般公差		APVD Y.YAMAMOTO 16DEC03	NAME 名称	
0 PLC ± 0.3		PRODUCT SPEC 製品規格	USB CONNECTOR RECEPTACLE TYPE	
1 PLC ± 0.3		APPLICATION SPEC 取付適用規格	SIZE A3	
2 PLC ± 0.3		WEIGHT	CAGE CODE 00779	DRAWING NO 番号 C-1674451
3 PLC ± 0.3		RESTRICTED CUSTOMER	SCALE 尺度 2:1	SHEET 1 OF 4
4 PLC ± 0.3			REV B1	
ANGLES ± 3'				
FINISH 仕上				

THIS DRAWING IS UNPUBLISHED. RELEASED FOR PUBLICATION
 © COPYRIGHT 2004 By - ALL RIGHTS RESERVED.

LOC	DIST	REVISIONS		
J	/	P	LTR	DESCRIPTION
		-	-	SEE SHEET 1
			DATE	DWN
			-	-
			APVD	-

APPLICATION PRODUCT: 1674451-3

1-1674451-3



* THIS DIMENSIONS ARE NOT CONSIDERATION PANEL TOLERANCE AND PANEL ASSEMBLY TOLERANCE.

RECOMMENDED PANEL DIMENSION (SCALE 4:1)

RECOMMENDED LAYOUT OF P.C.B (CONNECTOR MOUNTING SIDE)
 RECOMMENDED THICKNESS: 1.0~1.6mm

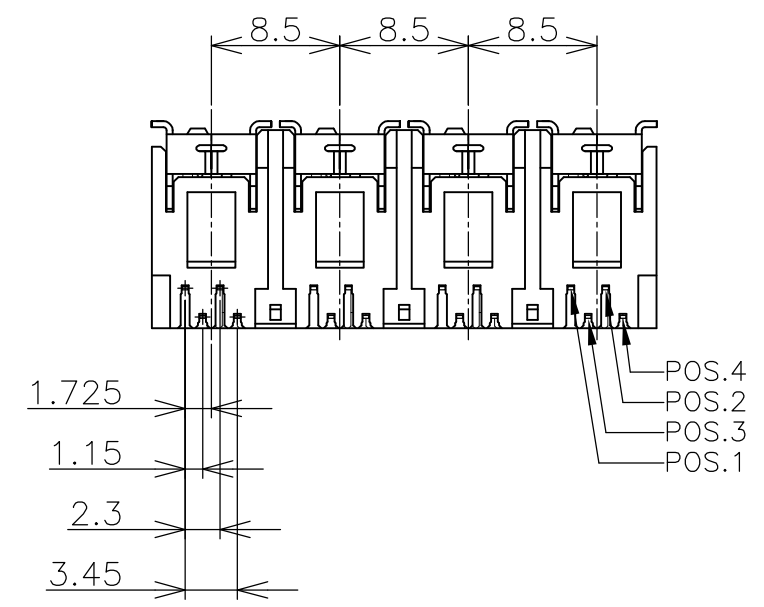
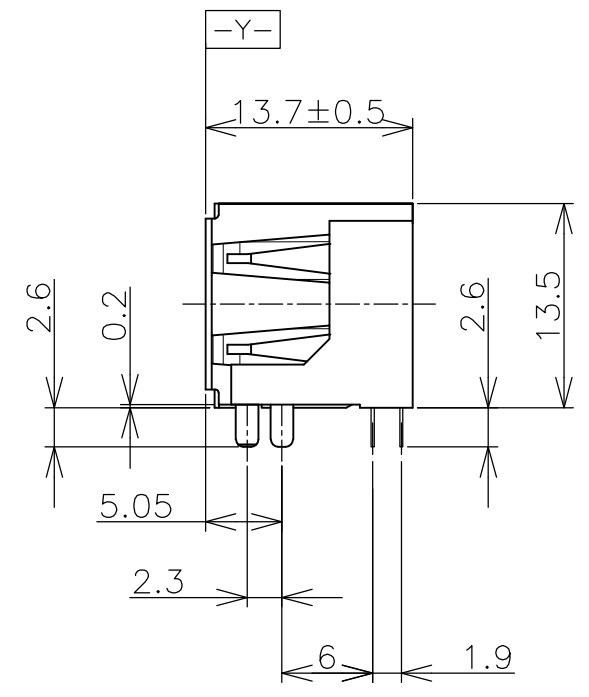
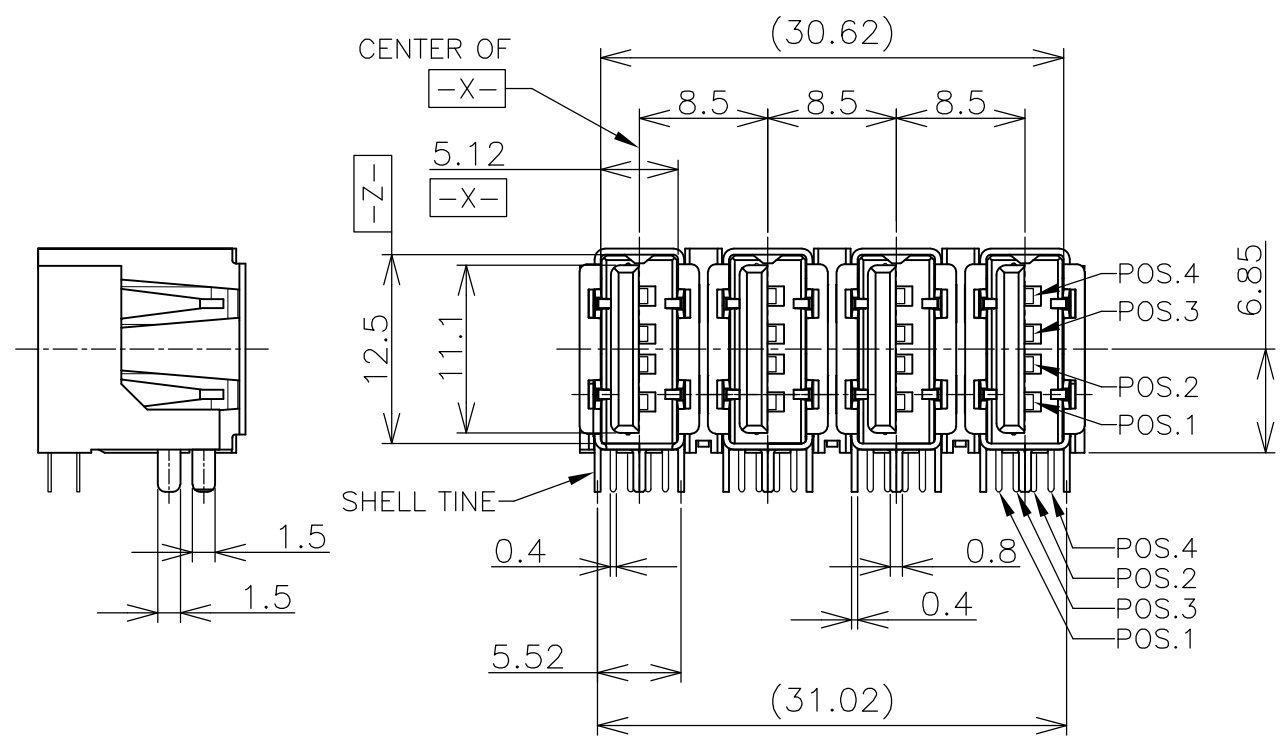
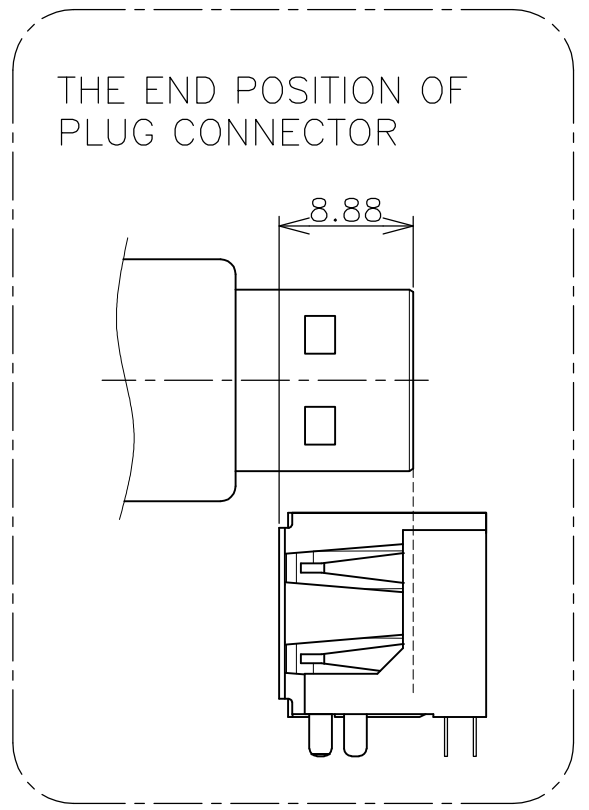
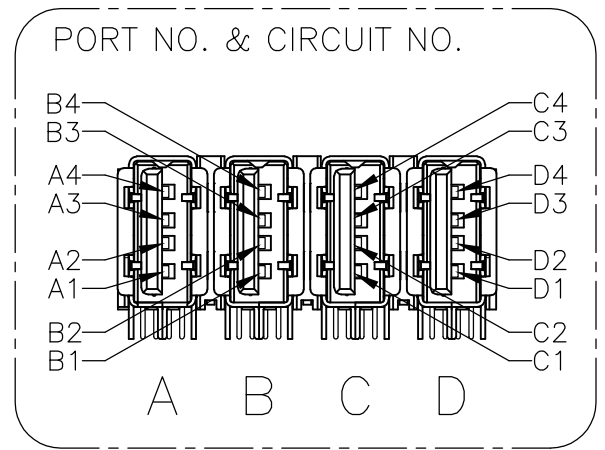
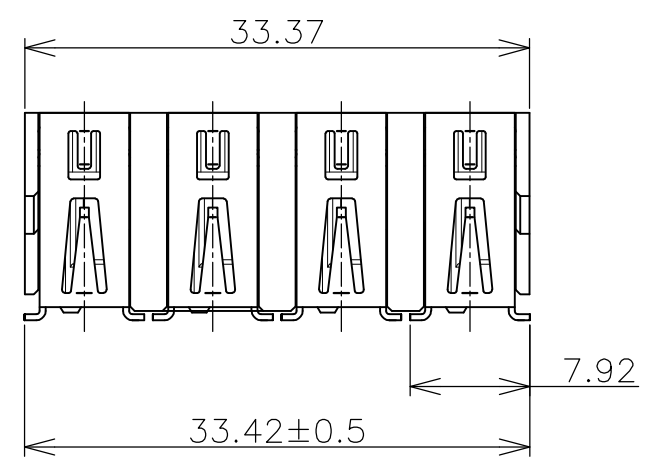
CONNECTOR FRONT SURFACE

PATTERN, LAND, VIA HOLE, MOUNT, PROHIBITION AREA.
 ONLY THE LAND FOR SOLDERING OF FRONT SHELL IS OK.

THIS DRAWING IS A CONTROLLED DOCUMENT.		DWN		TE Connectivity	
DIMENSIONS: 单位: 耗 MM		CHK			
TOLERANCES UNLESS OTHERWISE SPECIFIED: 一般公差		APVD		NAME 名称	
0 PLC ± 0.3		PRODUCT SPEC 製品規格		USB CONNECTOR	
1 PLC ± 0.3		APPLICATION SPEC 取付適用規格		RECEPTACLE TYPE	
2 PLC ± 0.3		SIZE	CAGE CODE	DRAWING NO 番号	RESTRICTED TO
3 PLC ± 0.3		A3	00779	C-1674451	
4 PLC ± 0.3		RESTRICTED CUSTOMER			SCALE 尺度 5:1
ANGLES ± 3'					SHEET 2 OF 4
MATERIAL 材料	FINISH 仕上				REV B1

THIS DRAWING IS UNPUBLISHED. RELEASED FOR PUBLICATION
 © COPYRIGHT 2004 By - ALL RIGHTS RESERVED.

LOC	DIST	REVISIONS					
J		P	LTR	DESCRIPTION	DATE	DWN	APVD
		-		SEE SHEET 1	-	-	-

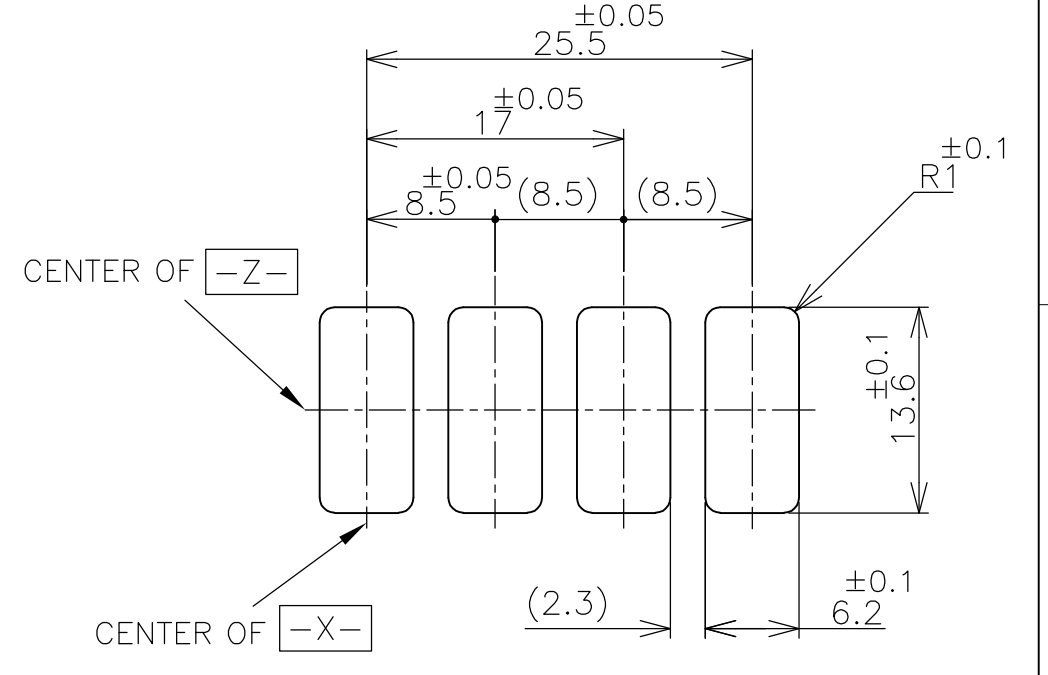
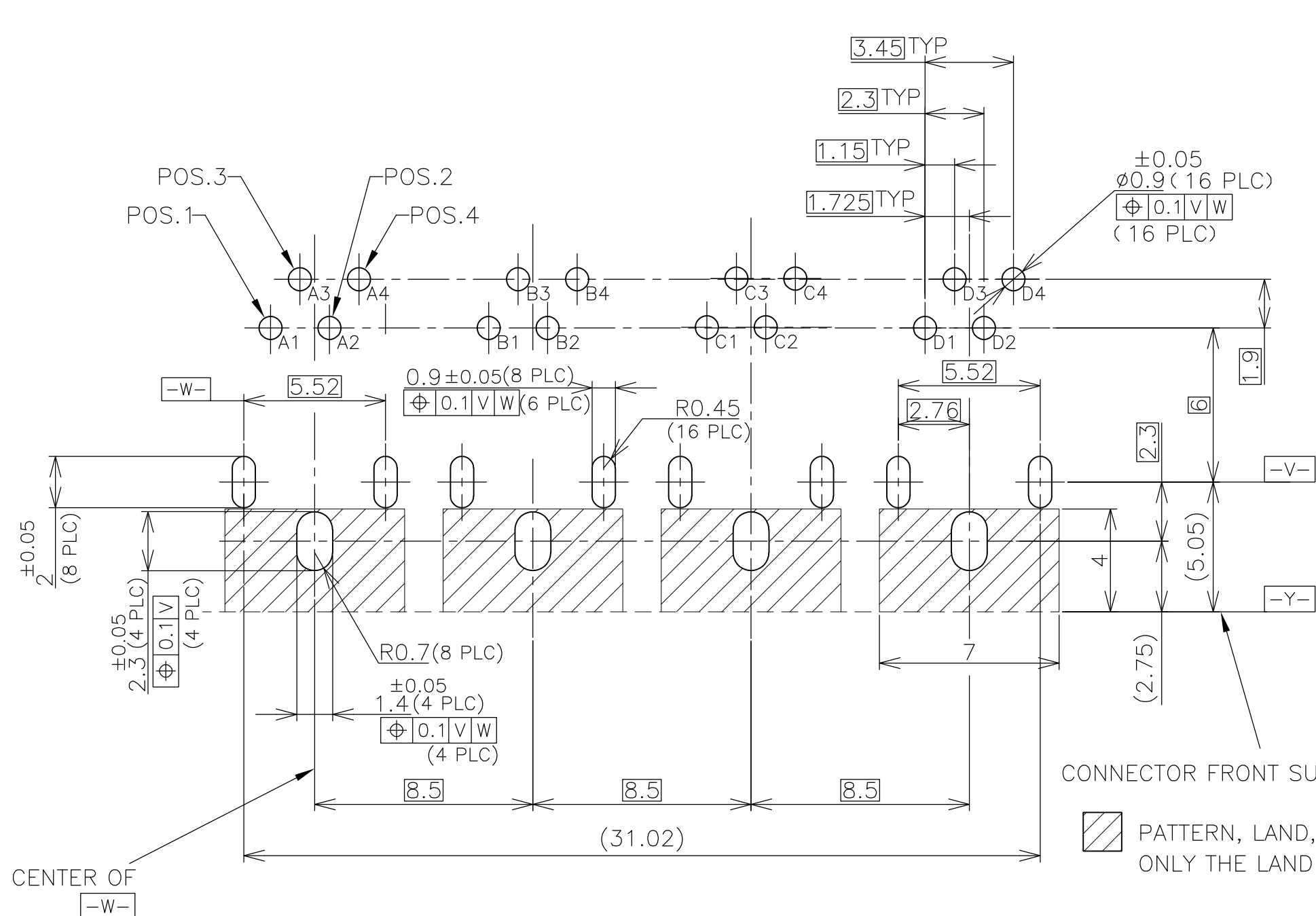


1-1674451-4 :AS SHOWN
 1674451-4

THIS DRAWING IS A CONTROLLED DOCUMENT.		DWN	STE TE Connectivity		
DIMENSIONS: 单位: 耗 MM		CHK			
TOLERANCES UNLESS OTHERWISE SPECIFIED: 一般公差		APVD	USB CONNECTOR RECEPTACLE TYPE		
0 PLC ± 0.3		PRODUCT SPEC 製品規格	SIZE	CAGE CODE	DRAWING NO 番号
1 PLC ± 0.3		APPLICATION SPEC 取付適用規格	A3	00779	C-1674451
2 PLC ± 0.3		WEIGHT	RESTRICTED TO		
3 PLC ± 0.3		RESTRICTED CUSTOMER		SCALE 尺度 2:1	SHEET 3 OF 4
4 PLC ± 0.3				REV B1	
ANGLES ± 3'					
FINISH 仕上					
MATERIAL 材料					

THIS DRAWING IS UNPUBLISHED. RELEASED FOR PUBLICATION
 © COPYRIGHT 2004 By - ALL RIGHTS RESERVED.

LOC	DIST	REVISIONS					
J		P	LTR	DESCRIPTION	DATE	DWN	APVD
		-		SEE SHEET 1	-	-	-



* THIS DIMENSIONS ARE NOT CONSIDERATION
 PANEL TOLERANCE AND PANEL ASSEMBLY TOLERANCE.

RECOMMENDED PANEL DIMENSION
 (SCALE 2:1)

CONNECTOR FRONT SURFACE

PATTERN, LAND, VIA HOLE, MOUNT, PROHIBITION AREA.
 ONLY THE LAND FOR SOLDERING OF FRONT SHELL IS OK.

APPLICATION PRODUCT: 1674451-4
 1-1674451-4

RECOMMENDED LAYOUT OF P.C.B
 (CONNECTOR MOUNTING SIDE)
 RECOMMENDED THICKNESS: 1.0~1.6mm

THIS DRAWING IS A CONTROLLED DOCUMENT.		DWN	TE Connectivity			
DIMENSIONS: 单位: 耗 MM		CHK				
TOLERANCES UNLESS OTHERWISE SPECIFIED: 一般公差		APVD	NAME 名称			
0 PLC ± 0.3		PRODUCT SPEC 製品規格	USB CONNECTOR RECEPTACLE TYPE			
1 PLC ± 0.3		APPLICATION SPEC 取付適用規格	SIZE	CAGE CODE	DRAWING NO 番号	RESTRICTED TO
2 PLC ± 0.3		WEIGHT	A3	00779	C-1674451	
3 PLC ± 0.3			RESTRICTED CUSTOMER			
4 PLC ± 0.3			SCALE 尺度	SHEET	REV	
ANGLES ± 3'			5:1	4 OF 4	B1	
FINISH 仕上						