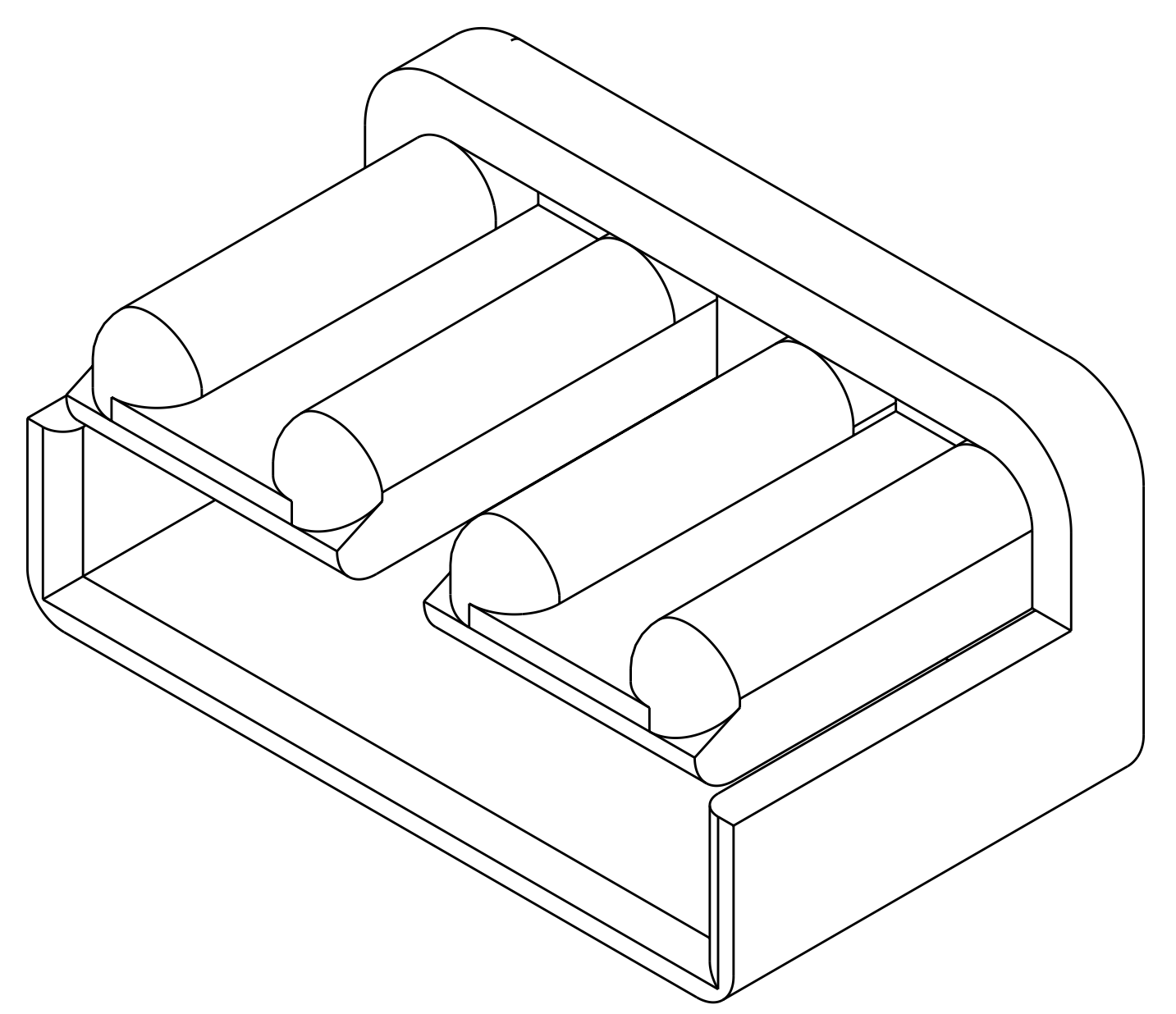
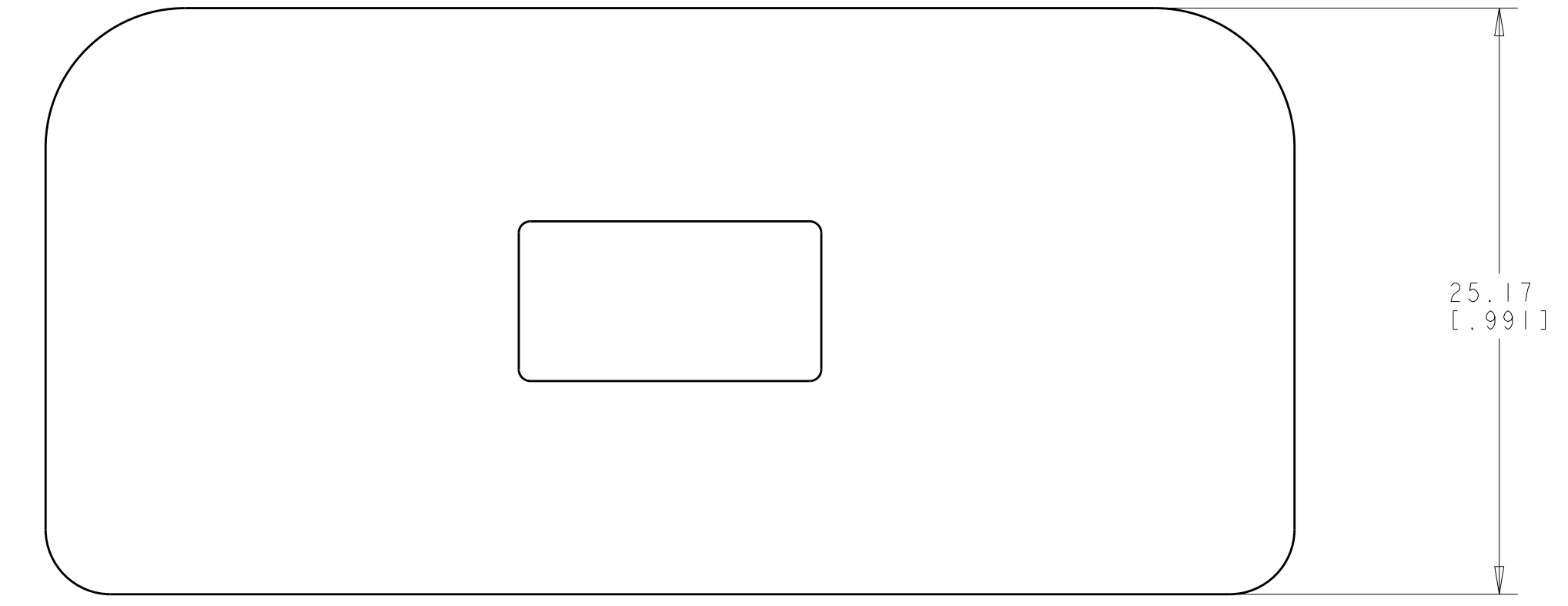
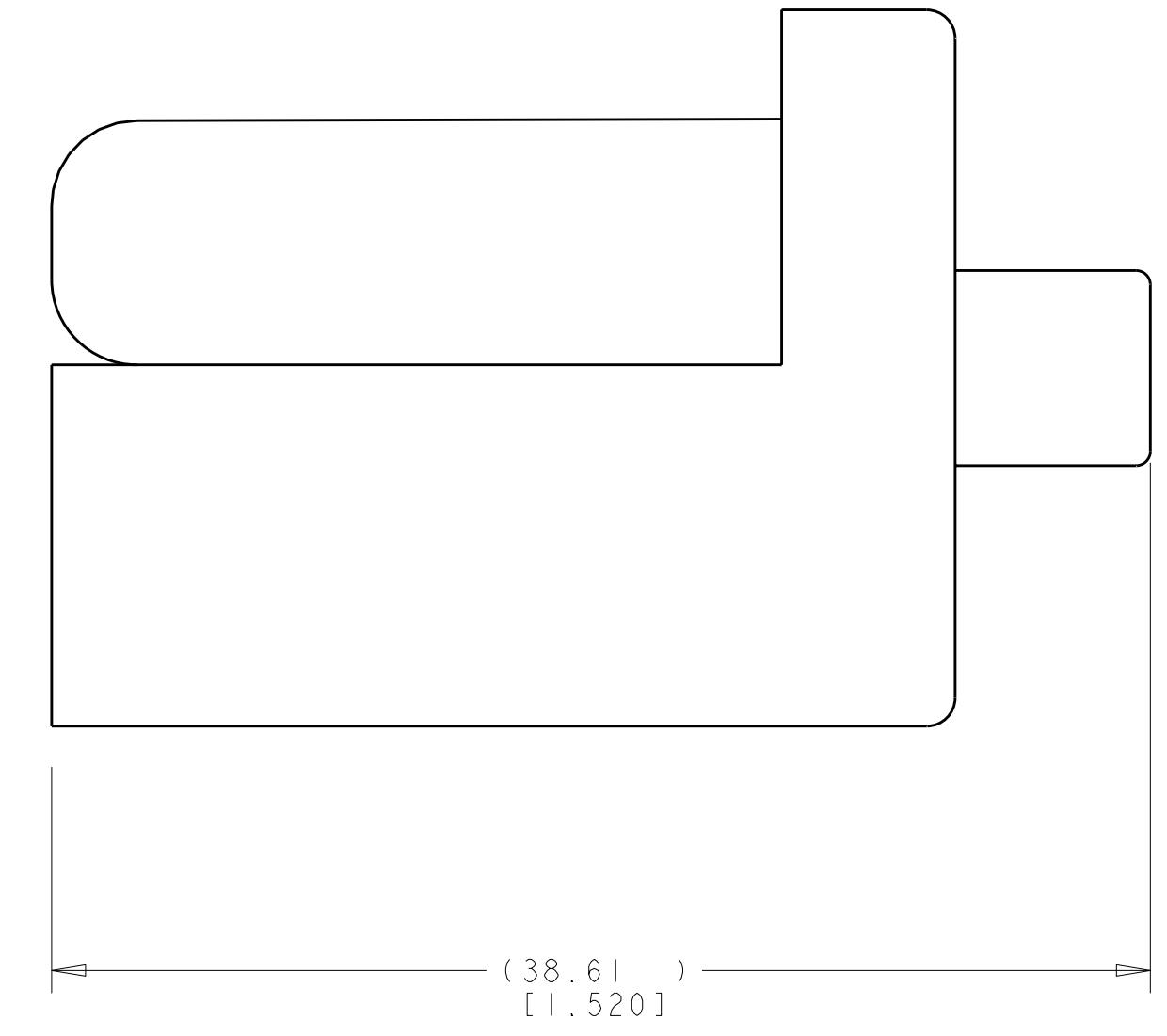
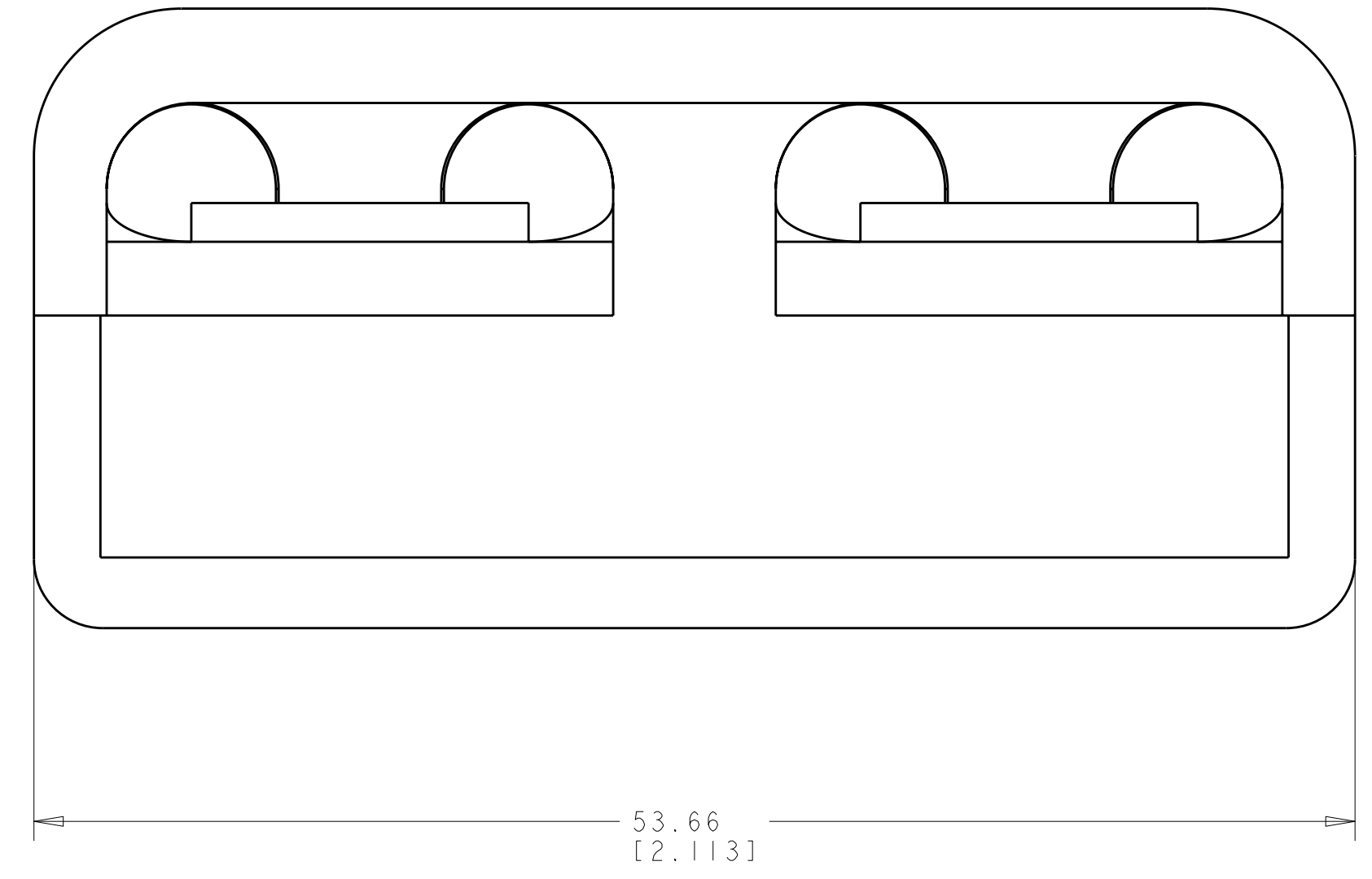
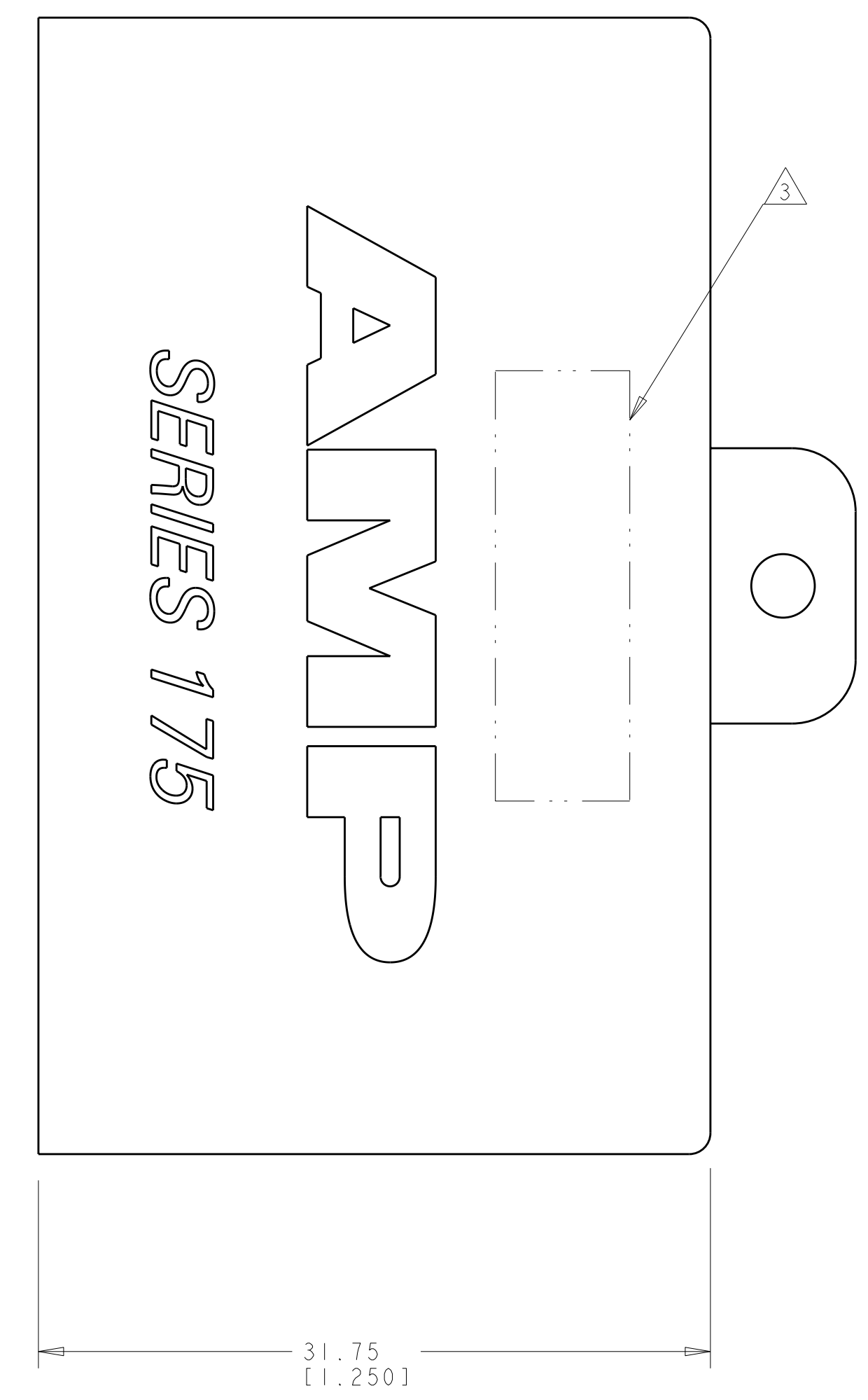


LOC		DIST		REVISIONS			
CM	00	REV	DATE	DESCRIPTION	DATE	DWN	APVD
		A		REVISED PER ECO-11-005167	03JUN2011	HMR	DY

- 1. DIMENSIONS IN BRACKETS ARE IN INCHES.
- 2. MATERIAL: BLACK ASA.
- 3. TE OR TE CONNECTIVITY LOGO LOCATED APPROX IN THIS AREA.



SCALE 3:1



1.091 INCH ³	647692-1
VOLUME	PART NUMBER

THIS DRAWING IS A CONTROLLED DOCUMENT.		DWN: R. WHITAKER 09JAN2006	NAME: DUST COVER HOUSING, AMP POWER SERIES 175
DIMENSIONS: mm [INCHES]		CHK: J. ELLIS 09JAN2006	PRODUCT SPEC: -
TOLERANCES UNLESS OTHERWISE SPECIFIED:		APVD: J. ELLIS 09JAN2006	APPLICATION SPEC: -
0 PLC ±	1 PLC ±	2 PLC ±0.13 (1.005)	SIZE: CAGE CODE: DRAWING NO: A100779C-647692
3 PLC ±	4 PLC ±	ANGLES ±	RESTRICTED TO: -
FINISH ±	±0°30'	WEIGHT: SEE TABLE	SCALE: 4:1
MATERIAL: -	FINISH: -	CUSTOMER DRAWING	SHEET 1 OF 1 REV A