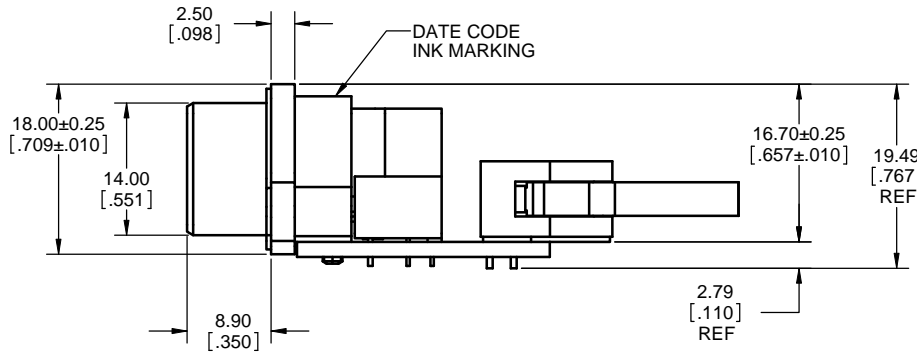
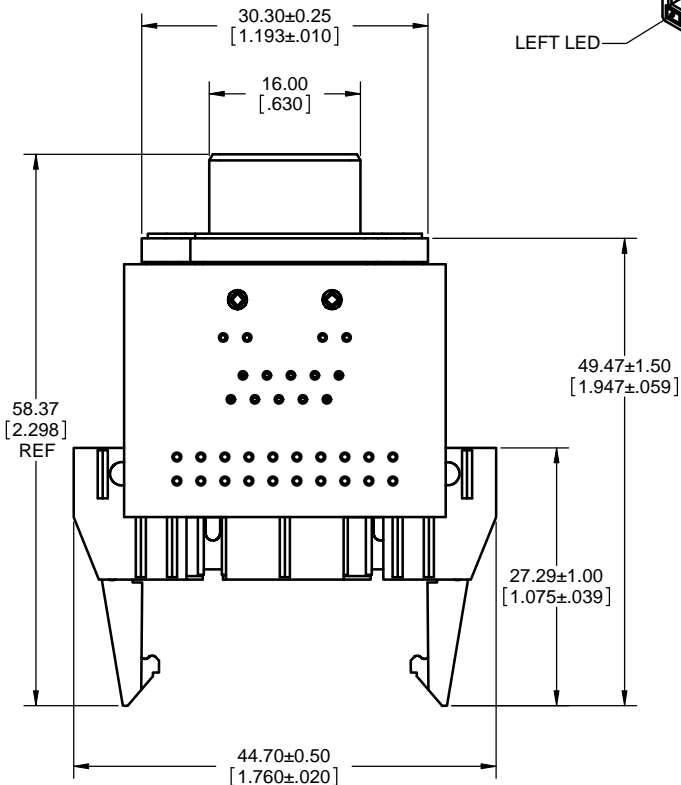
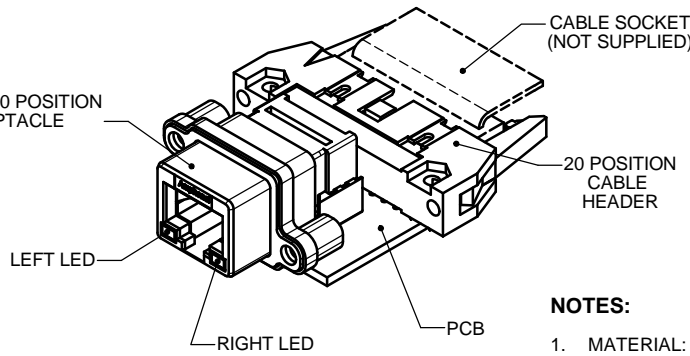


5.50 [.217] DEEP THREADED HOLES SEE ORDERING CODE THREAD OPTION



8 OR 10 POSITION RECEPTACLE



REVISIONS			
REV	DESCRIPTION, ECN, EAR NO.	DATE	APP'D
D	PRODUCT DRAWING (EAR 13840)	MAR17/11	K.L.

ORDERING CODE: M R J - 5 5 X X - X 1

SERIES, RUGGED RJ
RECEPTACLE, RIGHT ANGLE,
ON PCB WITH RIGHT ANGLE
CABLE HEADER

NUMBER OF CONTACTS
8= 8 CONTACTS
A=10 CONTACTS

LED OPTION
0=NONE
1=GREEN LEFT, YELLOW RIGHT
4=YELLOW LEFT, GREEN RIGHT
5=GREEN LEFT, GREEN RIGHT

MOUNTING HOLE THREAD
OPTION
0= #4-40 UNC THREAD
M= M3 x 0.5 THREAD

SINGLE PORT

SPECIAL CONNECTORS:
MANY UNIQUE FEATURES ARE READILY
AVAILABLE TO SUIT CUSTOMER
REQUIREMENTS. CONSULT WITH AMPHENOL
CANADA FOR DETAILS.

NOTES:

- MATERIAL:**
ALL MATERIALS ARE RoHS COMPLIANT PER EU DIRECTIVE 2002/95/EC AND AMENDMENTS
 - SHELL - DIECAST ZINC, NICKEL PLATED
 - CONTACTS - PHOSPHOR BRONZE WITH 1.27 MICRONS (50 MICROINCHES) GOLD OVER 1.27 MICRONS (50 MICROINCHES) MINIMUM NICKEL ON THE MATING AREA AND MATTE TIN OVER NICKEL ON THE CONTACT TAILS.
 - INSERTS - ENGINEERING THERMOPLASTIC, UL FLAMMABILITY RATING 94V-0, REAR INSERTS: BLACK NYLON, FRONT INSERT: CLEAR POLYCARBONATE
 - LED'S - EPOXY NYLON, STEEL TAILS WITH TIN PLATING
 - GASKET - SILICONE RUBBER
 - PCB - FR-4 FIBERGLASS, LEAD FREE
 - CABLE HEADER: THERMOPLASTIC HOUSING (UL94V-0, BLACK) WITH BRASS CONTACTS (PLATED GOLD OVER NICKEL), TYCO P/N 5499786-4 OR EQUIVALENT. HEADER MATES WITH TYCO RECEPTACLE 1658620-4 WITH STRAIN RELIEF 499252-2 OR EQUIVALENT.
- ENVIRONMENTAL PERFORMANCE PER IEC 60529 CODE IP67 FOR SEAL BETWEEN MATING AREA AND PCB SIDE OF CONNECTOR. GASKET PROVIDES SEAL TO INSIDE FACE OF PANEL.
- CURRENT RATING: 1.5 AMPERES.
- CONTACT RESISTANCE: 50 MILLIOHMS MAXIMUM (SUBJECT TO VERIFICATION).
- OPERATING TEMPERATURE: -40C TO +105C.
- AVAILABLE MATING AREA COVERS PROVIDE ADDED PROTECTION. CONSULT WITH AMPHENOL CANADA FOR DETAILS.
- CUSTOMER TO VERIFY THAT ALL PROCESS CLEANERS ARE COMPATIBLE WITH POLYCARBONATE MATERIAL.

UNLESS SPECIFIED OTHERWISE	DRAWN	S.SEMENOV	MAR01/07
PRIMARY UNITS MILLIMETERS	CHECKED		
SECONDARY INCHES	M.E. APP'D		
REFERENCE IN PARENTHESES	Q.A. APP'D		
GENERAL TOLERANCES	DWG APPR.	A.GREEN	MAR01/07
1 DECIMAL PLACE	ENG. REL. NO.		
2 DECIMAL PLACES ±0.15	REF.		
3 DECIMAL PLACES	THIRD ANGLE PROJECTION		
ANGULAR DEGREES ±1°	DO NOT SCALE DRAWING		

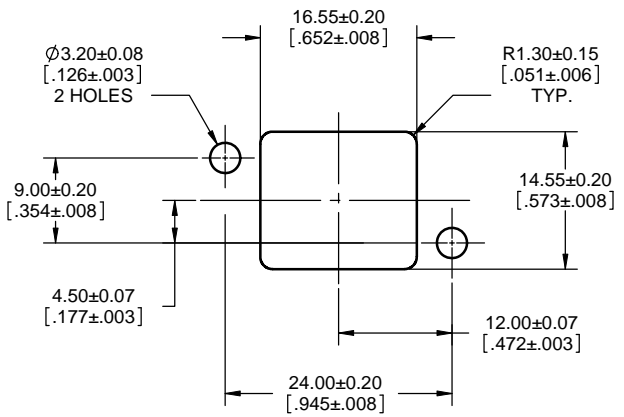
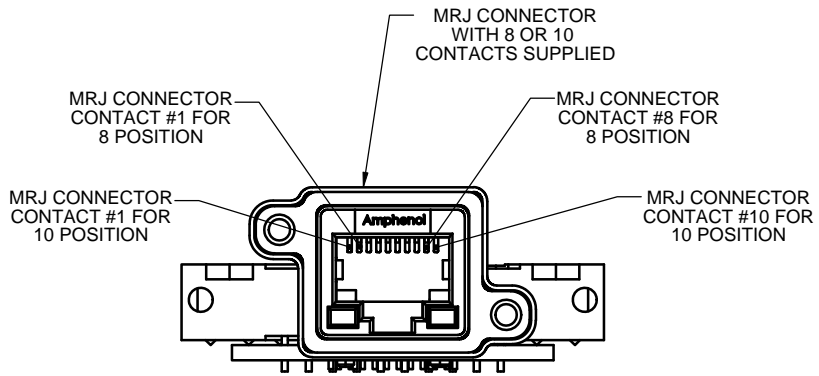
Amphenol Canada Corp.
www.amphenolcanada.com

MRJ SERIES RUGGED MODULAR JACK,
RIGHT ANGLE, ON PCB WITH RIGHT ANGLE
CABLE HEADER, 8 OR 10 CONTACTS, LED &
THREAD OPTIONS, RoHS COMPLIANT

P-MRJ-55XX-X1

CODE ID NO. 03554 DWG. SIZE: C SCALE: 2.5:1 SHEET 1 OF 2

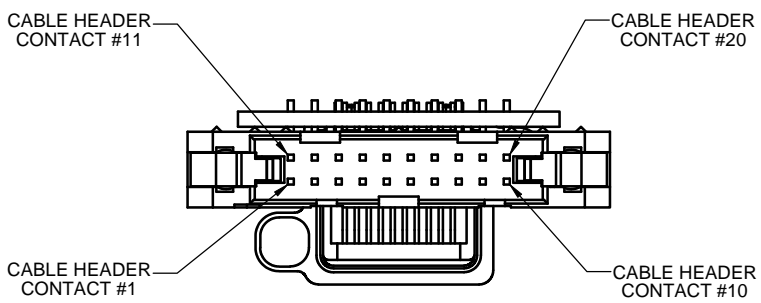
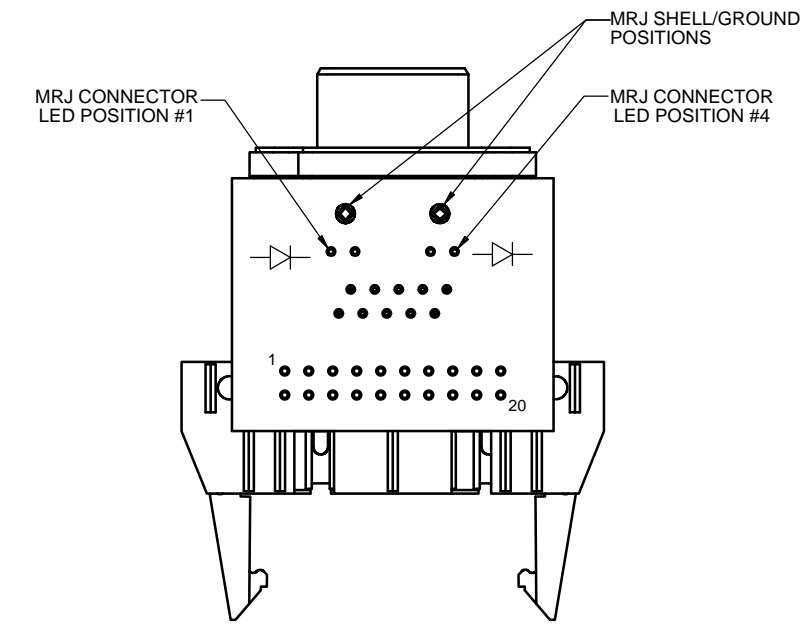
REVISIONS			
REV	DESCRIPTION, ECN, EAR NO.	DATE	APP'D
D	PRODUCT DRAWING (EAR 13840)	MAR04/11	K.L.



RECOMMENDED PANEL CUTOUT
OUTSIDE OF PANEL

MRJ TO HEADER CONNECTIONS CHART

MRJ CONNECTOR STYLE		CABLE HEADER CONTACTS
8 POSITION	10 POSITION	
SHELL/GROUND	SHELL/GROUND	10
--	1	2
1	2	12
2	3	3
3	4	13
4	5	4
5	6	14
6	7	5
7	8	15
8	9	6
--	10	16
LED1	LED1	1
LED2	LED2	11
LED3	LED3	7
LED4	LED4	17



UNLESS SPECIFIED OTHERWISE	DRAWN	S. SEMENOV	MAR01/07
PRIMARY UNITS MILLIMETERS	CHECKED		
SECONDARY UNITS INCHES	M.E. APP'D		
REFERENCE IN PARENTHESES	Q.A. APP'D		
GENERAL TOLERANCES	DWG APPR.	A.GREEN	MAR01/07
1 DECIMAL PLACE	ENG. REL. NO.		
2 DECIMAL PLACES ±0.15	REF.		
3 DECIMAL PLACES	THIRD ANGLE PROJECTION		
ANGULAR DEGREES ±1°	DO NOT SCALE DRAWING		

Amphenol Canada Corp.
www.amphenolcanada.com

MRJ SERIES RUGGED MODULAR JACK, RIGHT ANGLE, ON PCB WITH RIGHT ANGLE CABLE HEADER, 8 OR 10 CONTACTS, LED & THREAD OPTIONS, RoHS COMPLIANT

DWG. NO. **P-MRJ-55XX-X1** REV **D**

CODE ID NO. 03554 DWG SIZE: C SCALE: 2.5:1 SHEET 2 OF 2

THIS DOCUMENT CONTAINS PROPRIETARY INFORMATION AND SUCH INFORMATION MAY NOT BE DISCLOSED TO OTHERS FOR ANY PURPOSE OR USED FOR MANUFACTURING PURPOSES WITHOUT WRITTEN PERMISSION FROM AMPHENOL CANADA CORP.