

EFM[®]32

... the world's most energy friendly microcontrollers

EXP32 Prototype Board

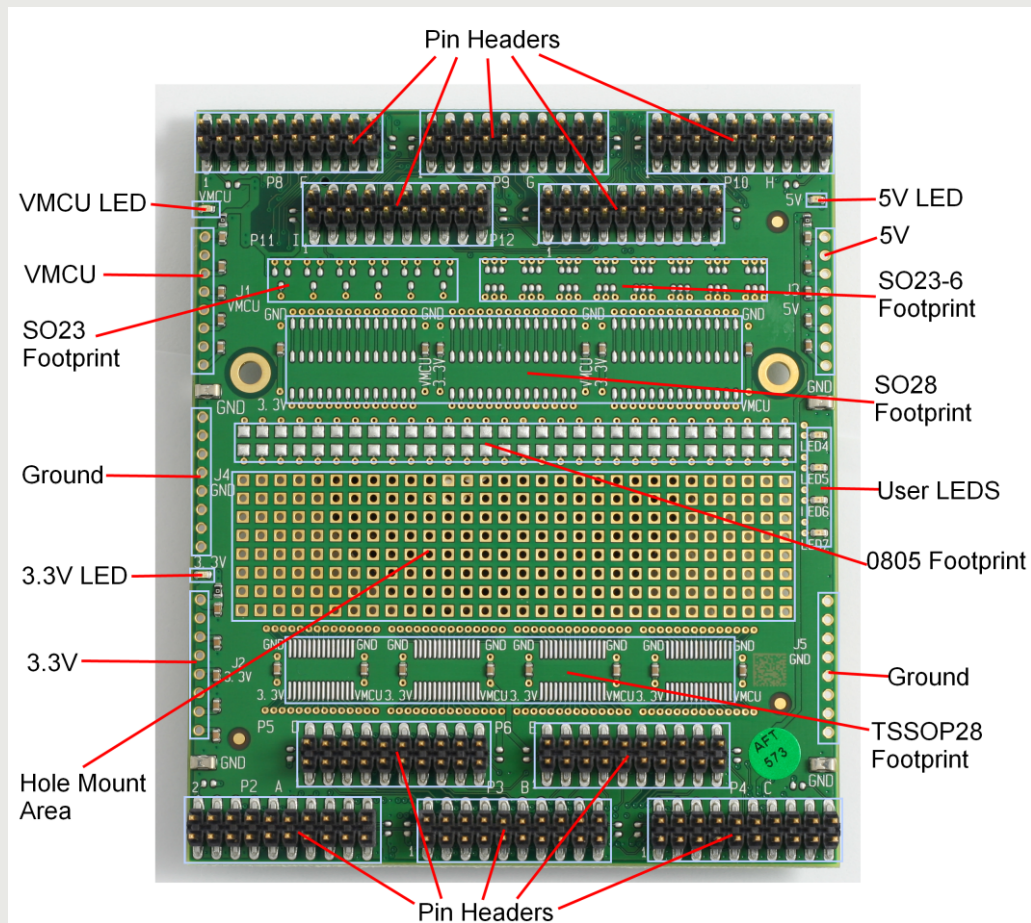
Preliminary

0 1 2 3 4

The EXP32 Prototype Board is a versatile plugin module for integration of custom circuits with the EFM32. The VMCU power domain is tracked by the Advanced Energy Monitor (AEM), which gives detailed information about the current consumption.

Features:

- Ready-to-use prototyping area for hole-mount, TSSOP, SO, SOT23-6, SOT23 and 0805 SMD components.
- VMCU power domain tracked by the Advanced Energy Monitor (AEM).
- 3.3V and 5V power domains available.
- All EFM32 IO lines directly accessible through pin headers.
- User LEDs ready for use.
- LEDs indicating power.



1 Usage

1.1 Placement

This board is intended for use with the EFM32 Gecko Development Kit.

1.2 Prototyping Area

The prototype area supports hole-mounted devices as well as TSSOP, SO, SOT23-x, SOT23 and 0805 SMD components. For some of the IC footprints there is a dedicated footprint for decoupling capacitors. Please see schematic for details.

1.3 Voltages

The prototype board has 3 supply voltages: 5V, 3.3V and VMCU. VMCU is used by the EFM32 microcontroller, and the corresponding current consumption is tracked by the AEM. For each of the supply voltages, there is a corresponding LED indicating if the power is present. Either of the voltages may be used to power custom circuitry, but verify not to connect different power-domains directly.

Note

Make sure not to connect circuitry powered by different supply voltages without proper level translation! E.g. do not directly connect circuits powered by 3.3V to the EFM32.

1.4 User LEDs

4 user LEDs with corresponding resistors are available on the protoboard. They may easily be soldered to other circuitry. See schematic for details.

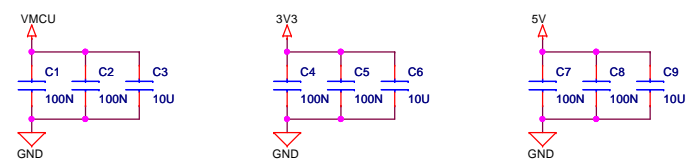
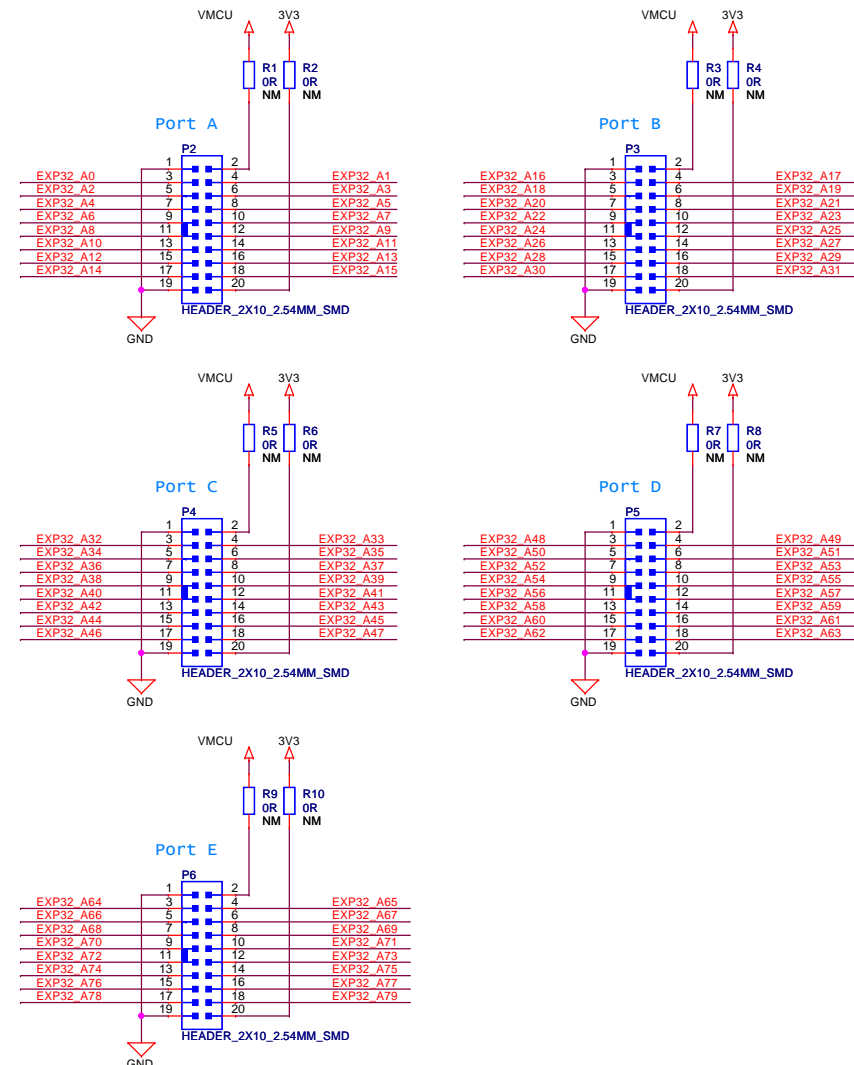
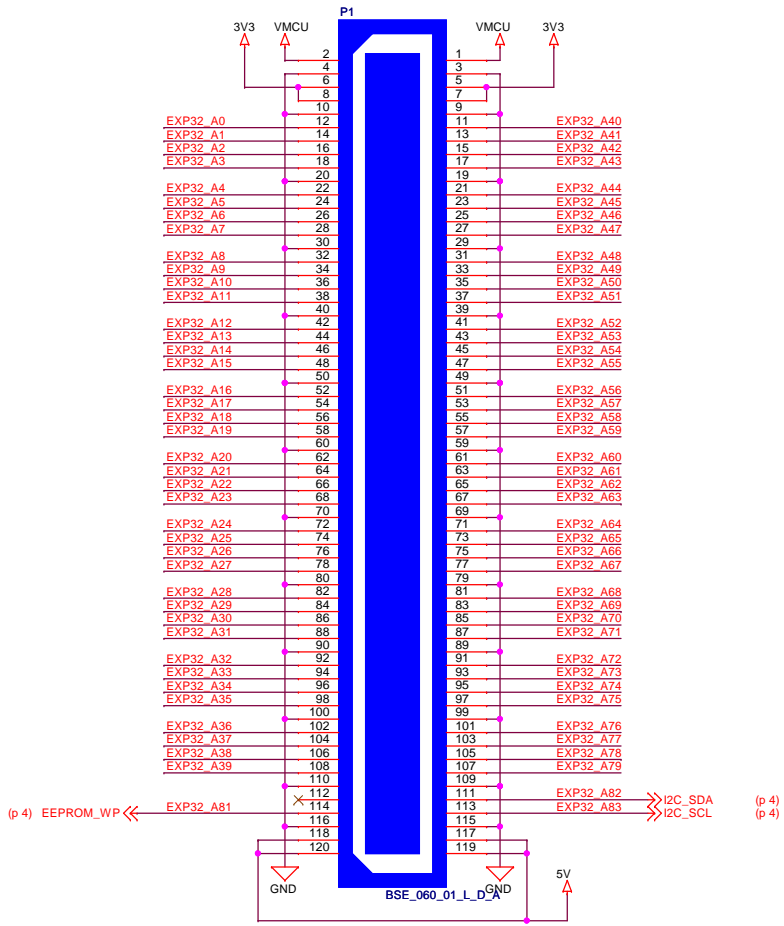
1.5 Pin Headers

The proto board features 10 20-pin headers. Pin 1 and 19 are connected to GND, whereas 2 and 20 may be connected to VMCU and 3V3 respectively by inserting 0-ohm resistors. See schematic for details.

When the protoboard is connected to the Kit, all GPIO-lines from the MCU-board are available, provided that the signals are available from the MCU-board. Also, several peripherals on the Kit mainboard are available. Please see the schematic of the respective boards for detailed information.

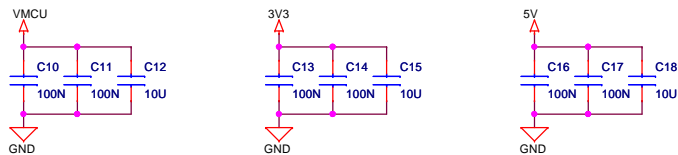
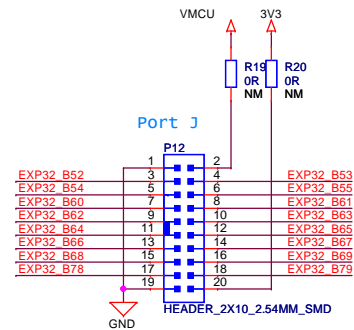
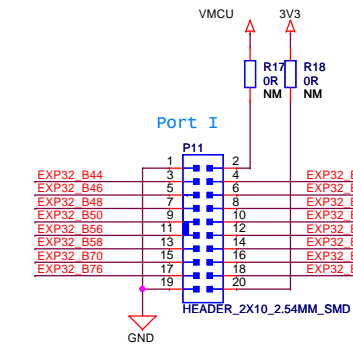
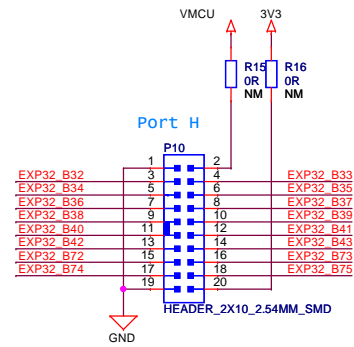
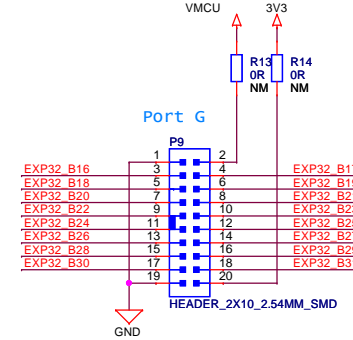
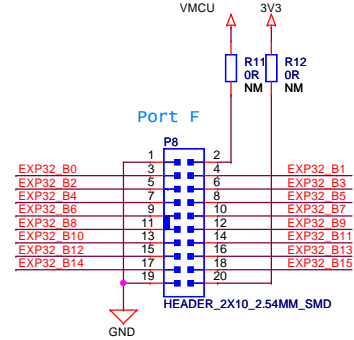
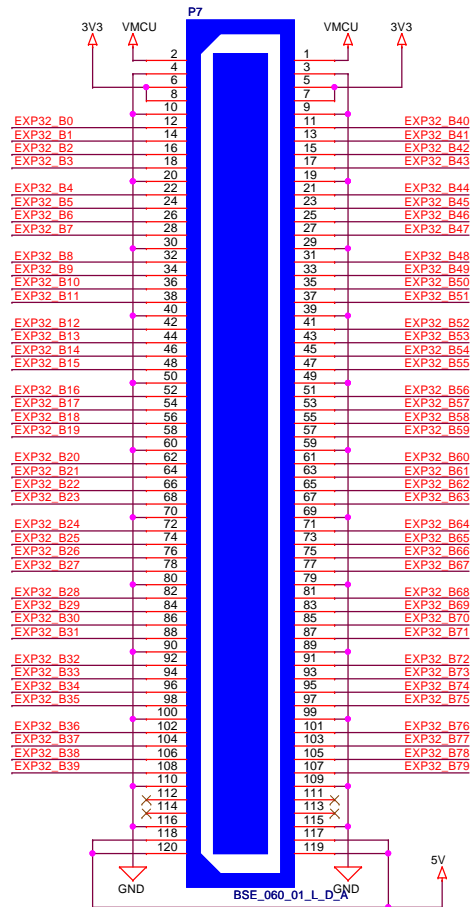
Note

In order for a signal from a EFM32 port to be available on the protoboard, the signal must be routed out from the EFM32 board.



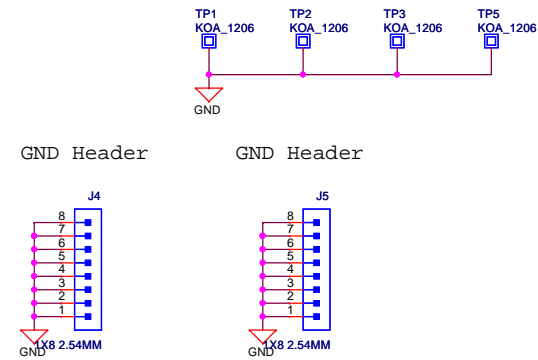
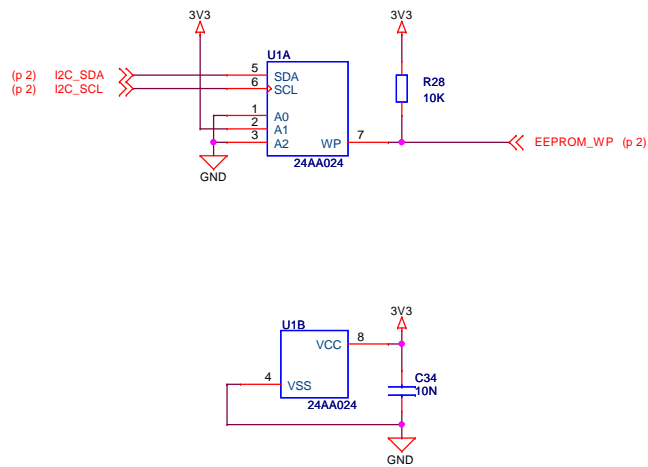
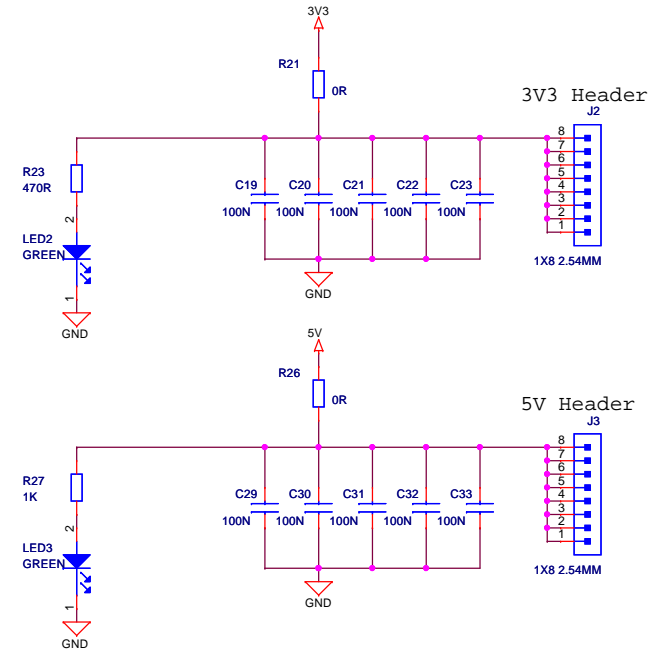
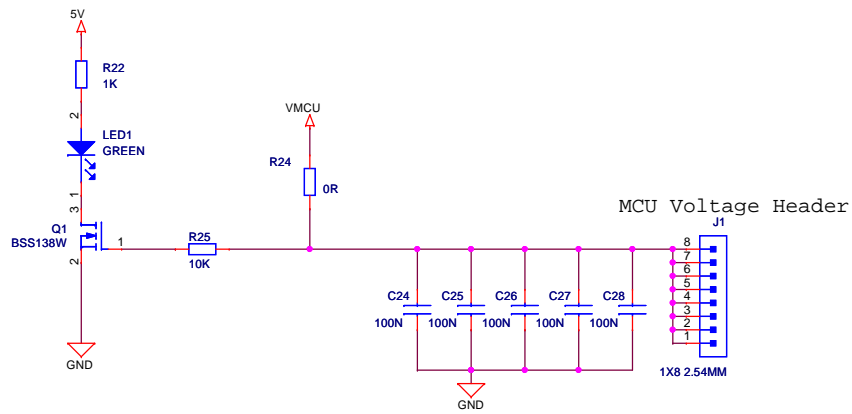
/ TOP

Designed:		Schematic Title	
		EXP32 Prototyping Board	
Size A3		Page Title	
		EXP32 Connector A	
BOM Doc No: <Cage Code>		Document number	
Design Created Date: Wednesday, December 03, 2008		Sheet Created Date Monday, March 16, 2009	Revision A
		Sheet Modified Date Thursday, November 19, 2009	Sheet 2 of 5



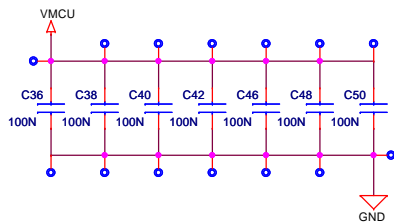
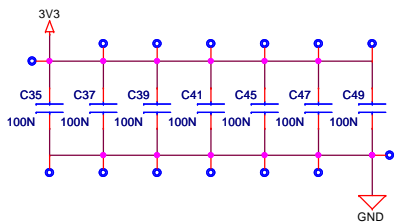
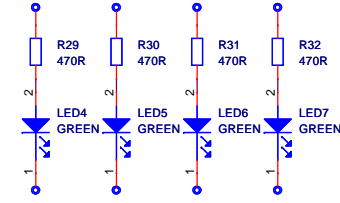
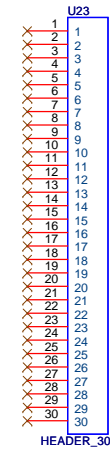
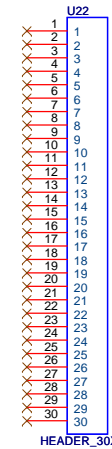
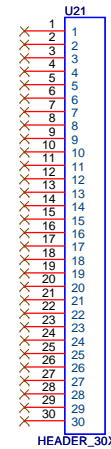
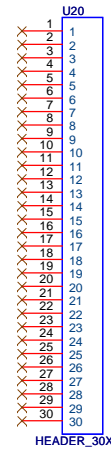
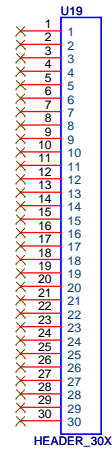
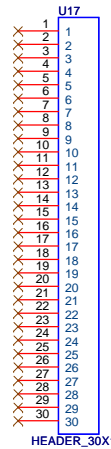
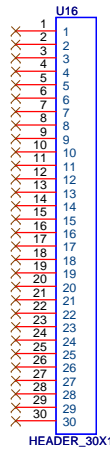
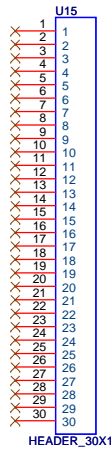
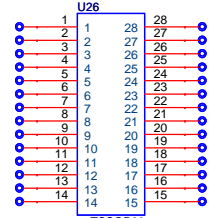
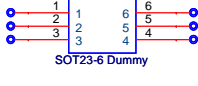
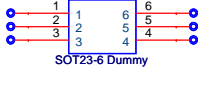
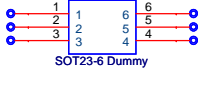
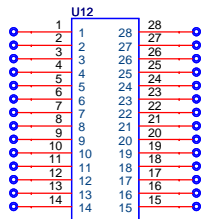
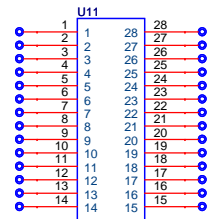
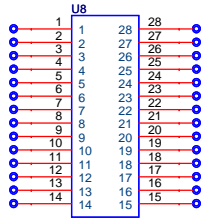
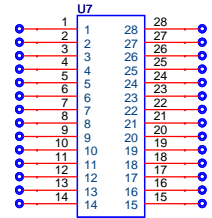
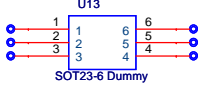
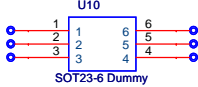
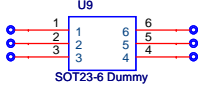
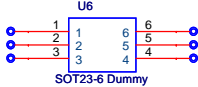
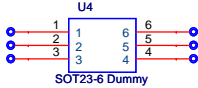
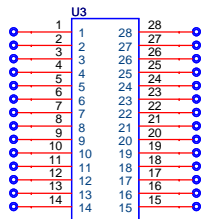
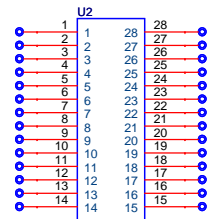
/ TOP

Schematic Title EXP32 Prototyping Board		Page Title EXP32 Connector B		Revision A
		Document number		Sheet 3 of 5
Designed:	Approved:	Sheet Created Date Monday, March 16, 2009		Sheet Modified Date Thursday, November 19, 2009
Size A3	BOM Doc No: <Cage Code>	Design Created Date: Wednesday, December 03, 2008		



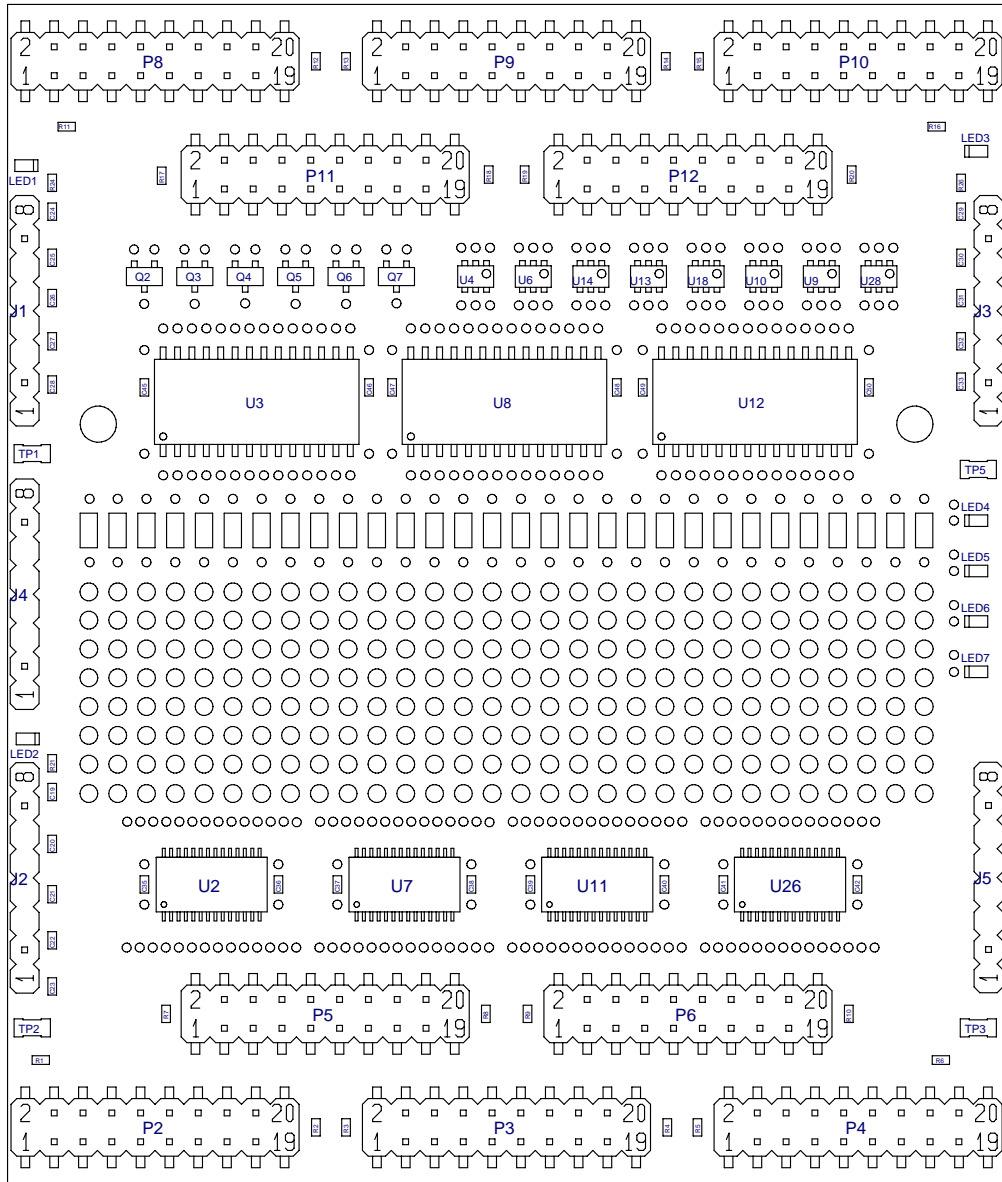
/
TOP

		Schematic Title		
		EXP32 Prototyping Board		
Designed: _____ Approved: _____		Page Title		
		Power Connectors		
Size A3	BOM Doc No: <Cage Code>	Document number		Revision A
Design Created Date: Wednesday, December 03, 2008		Sheet Created Date Monday, March 16, 2009	Sheet Modified Date Thursday, November 19, 2009	Sheet 4 of 5



<Schematic Path>
TOP

Schematic Title		EXP32 Prototyping Board	
Page Title		Dummy Components	
Designed:	Approved:	Document number	Revision
Size A3	BOM Doc No: <Cage Code>	Sheet Created Date	Sheet Modified Date
Design Created Date: Wednesday, December 03, 2008		Monday, March 16, 2009	Thursday, November 19, 2009
		Sheet 5 of 5	



Utført (også faktaansvarig hvis annen) - Prepared (also subject responsible if other)

Referanser - References

Dokansv/Godk - Doc respons/Approved

Dato - Date

Rev

2009-10-07

A1

EFM32 PROTOTYPE BOARD

Produktbetegnelse - Product name

PRINTED BOARD ASSEMBLY

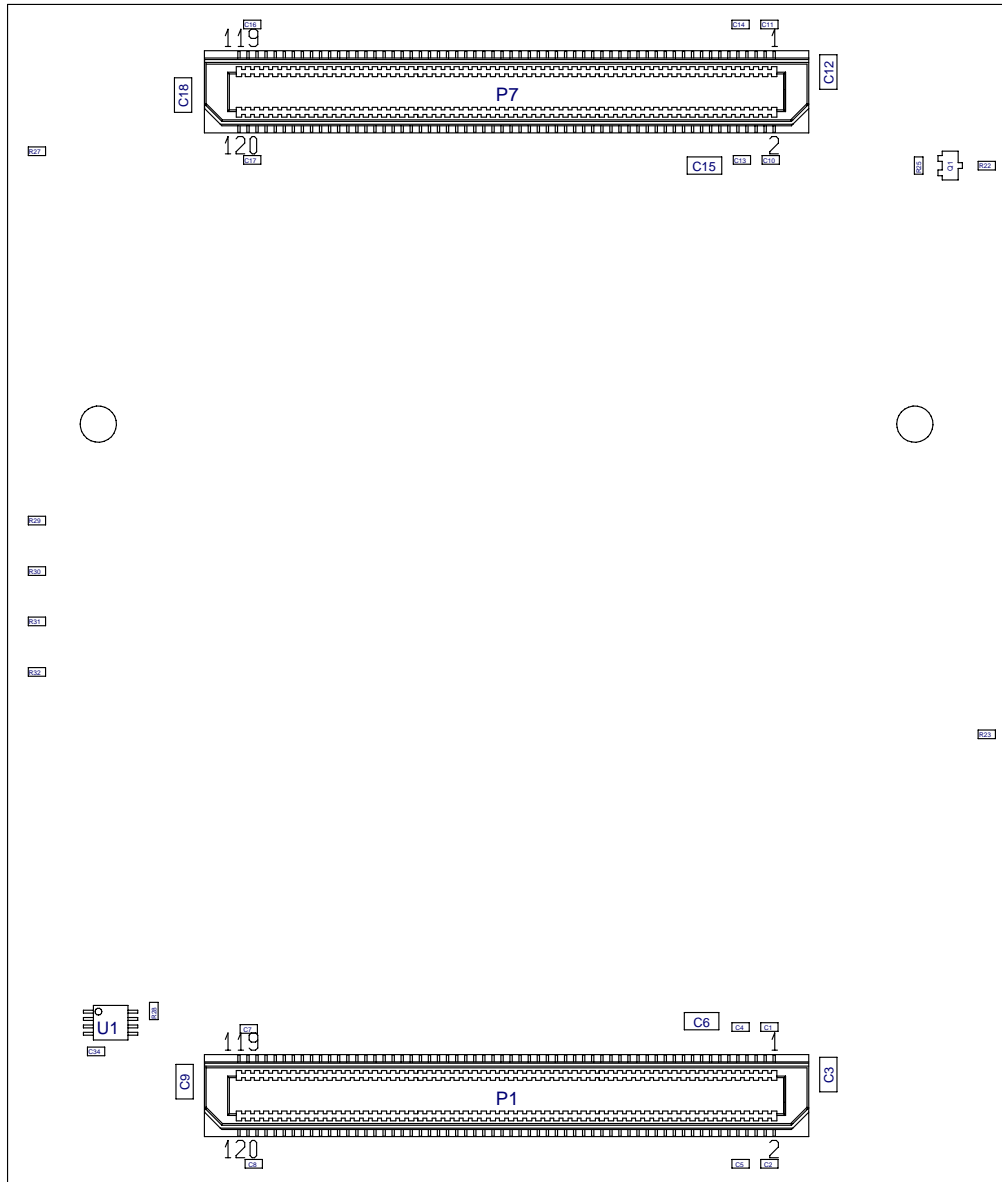
Dokumentnr - Document No.

Side - Sheet

(Scale 1.5 : 1)

BRD3500A1 (PCB3500 REV. 1. 1)

1 (2)



Utført (også faktaansvarig hvis annen) - Prepared (also subject responsible if other)

Referanser - References

Dokansv/Godk - Doc respons/Approved

Dato - Date
2009-10-07

Rev
A1

EFM32 PROTOTYPE BOARD

Produktbetegnelse - Product name

PRINTED BOARD ASSEMBLY

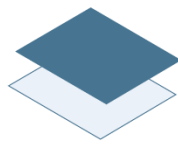
Dokumentnr - Document No.

Side - Sheet

(Scale 1.5 : 1)

BRD3500A1 (PCB3500 REV. 1. 1)

2 (2)



ENERGY[®]
micro

*Energy Micro AS
Sandakerveien 118
P.O. Box 4633 Nydalen
N-0405 Oslo
Norway*

www.energymicro.com