

8

7

6

5

4

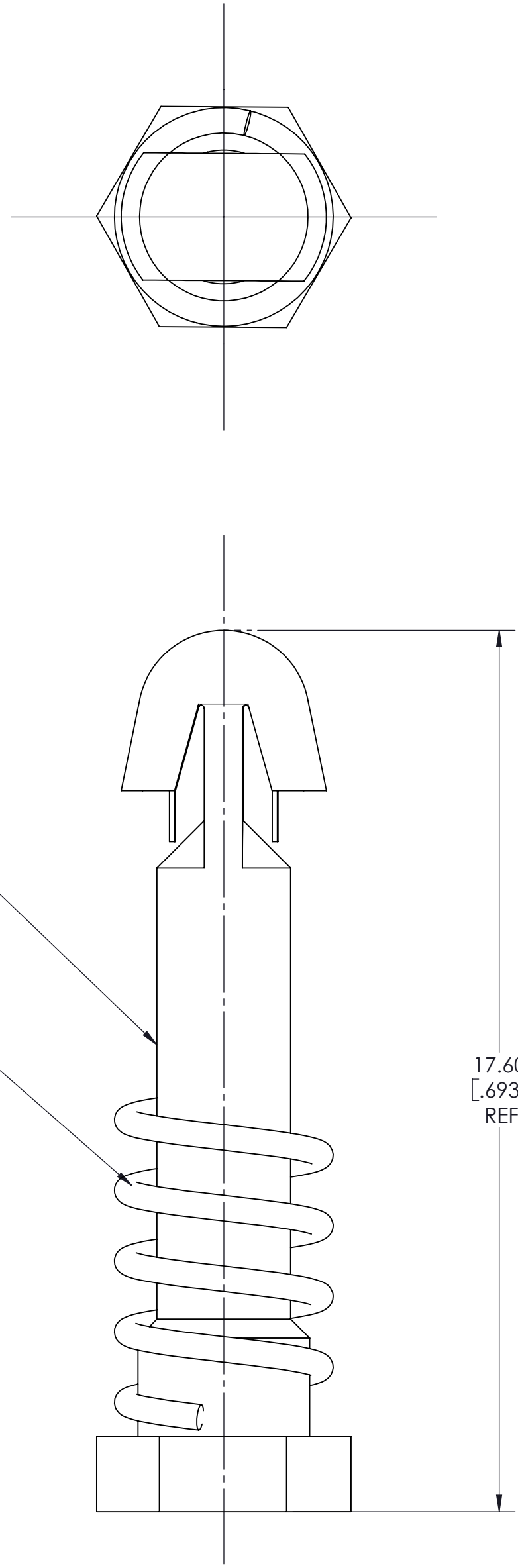
3

2

1

VICOR CONFIDENTIAL
 THIS DOCUMENT AND THE DATA DISCLOSED HEREIN OR
 HEREWITH IS NOT TO BE REPRODUCED, USED OR
 DISCLOSED IN WHOLE OR IN PART TO ANYONE WITHOUT
 THE PERMISSION OF VICOR CORP.

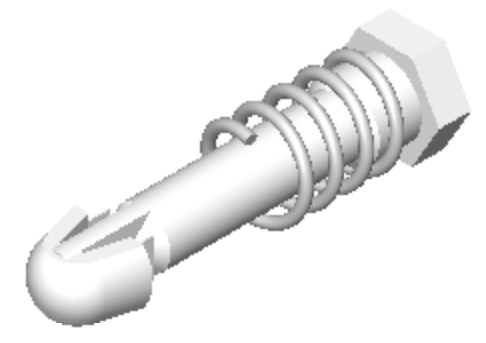
REVISIONS				
REV	DESCRIPTION	DATE	APPROVED	
1	RELEASED PER E053460	LEK 12/08/05	RT	
2	REVISED PER E063752	PEI 03/29/06	RT	
3	REVISED PER E100991	KUK 08/10/10	DCS	



SEE NOTE 1 (1)

SPRING RATE = 3.57 N/MM [20.4 LB/IN] (2)

17.60
 [.693]
 REF



- NOTES:
 1. FOR A LIST OF PARTS SEE BOM NO. 32434
 2. ITEM 1 IS WHITE.
 3. RoHS COMPLIANT PER CST-0001 LATEST REVISION.

DRAWN D. CVINAR		DATE 7/4/05		SWD	
MATERIAL		UNLESS OTHERWISE SPECIFIED DIMENSIONS ARE MM [INCH] TOLERANCES ARE: DECIMALS ANGLES X.XX [X.X] = ±0.01 [0.25] ±1° X.XXX [X.XX] = ±0.005 [0.127]		ASSEMBLY DWG WHITE PIN VIC J-LEAD PUSH PIN (17.6 MM)	
FINISH		THIRD ANGLE PROJECTION 		SIZE C	CAGE CODE 67131
		DO NOT SCALE DRAWING		DWG NO 29808	REV 3
				SCALE 10 : 1	
				SHEET 1 OF 1	

8

7

6

5

4

3

2

1