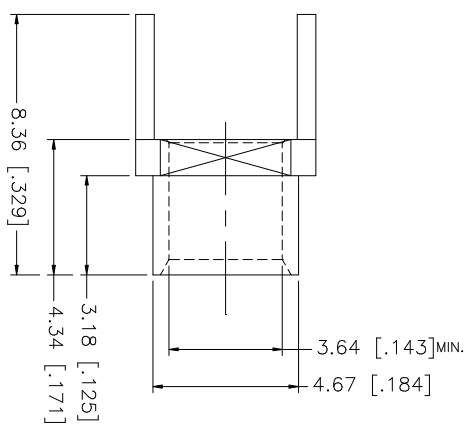
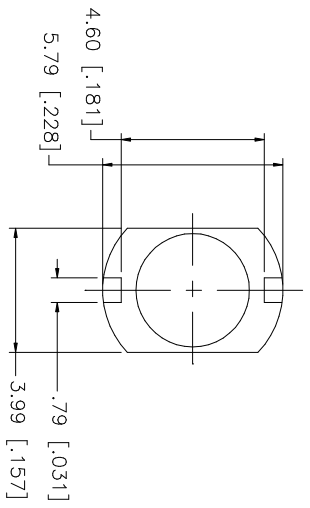
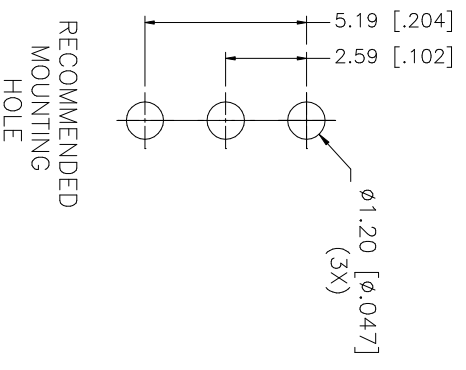
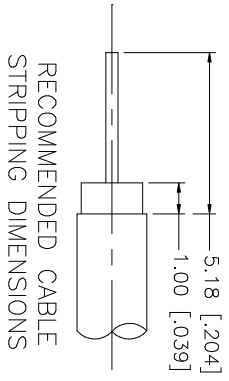


REV.	DATE	DESCRIPTION
NC	12/22/03	INITIAL RELEASE



8																			
7																			
6																			
5																			
4																			
3																			
2																			
1	BODY	BRASS	GOLD	1															
DESCRIPTION		MATERIAL		FINISH		QTY		DO NOT SCALE DRAWING		CAD FILE		DWG. NO.		REV.		SIZE		SCALE	
										C:/142/142326.DWG		142326.DWG		A		A		NA	
<p>UNLESS OTHERWISE SPECIFIED DIMENSIONS ARE IN MILLIMETERS. DIMENSIONS IN [] ARE IN INCHES AND FOR CUSTOMER REFERENCE ONLY. TOLERANCES FOR MILLIMETERS ARE:</p> <p>0.5 - 8mm ± 0.20mm 8 - 30mm ± 0.40mm 30 - 120mm ± 0.50mm</p> <p>UNLESS OTHERWISE SPECIFIED TOLERANCES FOR INCHES ARE:</p> <p>.020 - .315 = ± 0.007" .315 - 1.180 = ± 0.015" 1.180 - 4.724 = ± 0.020"</p>																			
<p>APPROVALS</p> <p>DRAWN G.R.S. DATE 12/22/03</p> <p>CHECKED</p> <p>ISSUED</p> <p>SHEET 1 OF 1</p>										<p>PART DESCRIPTION</p> <p>PCB MOUNT CABLE TERMINATION (FOR .141" SEMI RIGID CABLE)</p> <p>PART NO. 142326</p>									